

Dítec



Automation
systems for gates,
garage doors,
industrial doors and
automatic barriers

Catalogue NA-NE-EXP-GB-January 2022 issue

www.ditecautomations.com

EN

Automation systems for gates, garage doors, industrial doors and automatic barriers

		Page
01	Automation for sliding gates	
	for weight up to 600 Kg	Ditec ION 2
	for weight up to 600 Kg	Ditec NEOS Ditec NEOS SUPERFAST 6
	for weight up to 1000 Kg	Ditec NEOS+ 9
	for weight up to 3000 Kg	Ditec CROSS 12
02	Automation for swing gates	
	external telescopic	Ditec TS 35 18
	external linear	Ditec PWR 22
	external with arms	Ditec FACIL Ditec ARC 30 34
	underground	Ditec CUBIC 38
03	Automation for garage doors and doors for industrial plants	
	for up-and-over doors with counterweights	Ditec BOX 46
	for sectional garage doors	Ditec TOP 50
	for counterweighted industrial sectional doors	Ditec DOD Ditec NRG 54 58
	for folding doors	Ditec DOR 62
04	Automatic barriers	
	up to 7.6 m	Ditec QIK 68
	Automation for sliding frames	
	up to 80 Kg	Ditec OLLY E 77

Automation systems for gates, garage doors, industrial doors and automatic barriers

		Page
05	Accessories	
control panels	24 Vdc control panels	80
	230 Vac control panels	82
	400 Vac control panels	84
radio system	Ditec ZEN	86
	Ditec ZENPAD and ZEN MANAGER	90
control accessories	Key selector and digital keypads	92
	Ditec SVA	94
	Transponder proximity control system	96
	Magnetic-loop motion detector and token-based control device	97
safety devices and accessories	Photocells	98
	Flashing lights	100
	Passive safety edges and microswitch active edge	101
	Active and resistive safety edges auto-controlled by control devices	102
innovative solutions for professionals	Ditec tools for professionals	105
06	Connectivity solutions	
smart access control	Entrematic Smart Connect	108



Ditec

AUTOMATION FOR SLIDING GATES

RESIDENTIAL AND CONDOMINIUM APPLICATIONS

Ditec ION 4 - 6

weight up to 600 kg

Ditec NEOS 400 - 600

Ditec NEOS+ 400 - 600

Ditec NEOS SUPERFAST

weight up to 600 kg

COMMERCIAL AND INDUSTRIAL APPLICATIONS

Ditec NEOS+ 1000

weight up to 1000 kg

Ditec CROSS 18

Ditec CROSS 19

Ditec CROSS 30

weight up to 3000 kg

AUTOMATION FOR RESIDENTIAL SLIDING GATES

Ditec ION



Ditec ION is the new sliding-gate operating unit for residential applications. The range is made up of two motors for 400 Kg and 600 Kg wing.

Intelligent: includes a quick self-learning procedure and a guided menu for fast and simplified configuration at the first start-up stage.

Safe: constant electronic monitoring of impact forces and immediate obstacle detection. It does not require the installation of active sensitive edges to re-enter the operative impact forces. Compliant with standard 13849 with or without installation of active edges.

Versatile: it is possible to adapt the automation to any context by adjusting speed and slowdown distance during opening and closing and start time. Available in both 230 Vac and 120 Vac power supply.

INTELLIGENT



SAFE



VERSATILE



Product range

Weight up to 400 kg

Ditec ION 4

Weight up to 600 kg

Ditec ION 6

Technical specifications

Description	ION 4 - ION 4J	ION 6 - ION 6J
Electromechanical actuator	for sliding gates up to 400 kg	for sliding gates up to 600 kg
Stroke control	virtual encoder	virtual encoder
Capacity	400 kg	600 kg
Maximum opening width	12 m	12 m
Service class	frequent tested up to 150,000 cycles	frequent tested up to 150,000 cycles
Intermittent operation	30 consecutive cycles at 20°C	30 consecutive cycles at 20°C
Power supply	230 Vac - 50-60 Hz 120 Vac - 50-60 Hz (J version)	230 Vac - 50-60 Hz 120 Vac - 50-60 Hz (J version)
Power absorption	24 Vdc	24 Vdc
Power input	0.45 A 0.9 A (J version)	0.6 A 1.2 A (J version)
Thrust	600 N pickup current	800 N pickup current
Opening and closing speed	0.1 - 0.3 m/s	0.1 - 0.3 m/s
Release system for manual opening	key operated	key operated
Operating temperature	-20°C ÷ +55°C [-35°C ÷ +55°C with NIO enabled]	-20°C ÷ +55°C [-35°C ÷ +55°C with NIO enabled]
Protection rating	IP 44	IP 44
Product dimensions (mm)	260x195x300	260x195x300
Control panel	LCU48	LCU48

ION 4 - ION 4J - ION 6 - ION 6J	
TECHNICAL FEATURES	
Control panel	built-in with radio incorporated
Radio frequency	433.92 MHz standard, 868.35 MHz with ZENPRS or with BIXPR2
433.92 MHz --> 868.35 MHz interchangeable receiver module	■
Mains power supply	230 Vac or 120 Vac - 50/60 Hz
Accessories power supply	24 Vdc / 0.3A
Stroke control	Virtual encoder
Limit switch provision	■
Energy saving	reduced consumption in standby*
Operating temperature	-20°C ÷ +55°C in standard conditions -35°C ÷ +55°C with NIO enabled
* Limitation of current absorbed by accessories on standby	
INPUTS	
Open control	shared with inching control, which can be selected from the display
Partial opening control	■
Close control	shared with emergency stop, which can be selected from the display
Stop control	via Radio or shared with partial opening control, which can be selected from the display
Inching control	■
Hold-to-run command	■
Automatic contact closing management (enable or disable automatic closing with external timer or a remote signal)	shared with partial opening control, which can be selected from the display
OUTPUT	
Flashing light	24 Vdc
Electrically operated lock	■ shared with flashing light
Gate-open warning light (ON/OFF)	■ shared with flashing light
Gate-open warning light with proportional blink rate	■ shared with flashing light
Courtesy light	■ shared with flashing light
PROGRAMMABLE FUNCTIONS	
Configuration of programmable functions	display and navigation keys
Force adjustment	electronic
Speed	adjustable
Soft Start / Soft Stop	adjustable
Braking/Slowing down	adjustable
Stop approach	adjustable
Operation time	adjustable
Automatic closing time	adjustable
Integrated datalogging (counters and recent alarm history)	■
FW update	■ using Amigo SW and USBPROG
SAFETY AND PROTECTION FUNCTIONS	
Emergency stop	■
Safe closing (inversion)	■
Safety Test Facility (for automatic safety devices)	■
ODS - Obstruction Detection System (causes the gate to stop or reverses movement when an obstacle is detected)	■
NIO - Antifreeze system	■
OPTIONAL ACCESSORIES	
Batteries	■ with IONSBU and IONKSBU
Ready for integrated batteries	■
Stand-alone solar-power connection	■ with IONSBU
8.2 KΩ-resistance safety edge	■ with GOPAV or SOF accessory
Magnetic loop detector	■ with LAB9

Ditec ION 4 - 6

Automation for sliding gates weighing from 400 up to 600 kg



Ditec ION guarantees easy installation and maintenance.

The **rapid self-learning procedure**, the **guided menu (WZ)** that allows a fast and simplified configuration of automation at the first start-up stage and the **three predefined configurations** for residential and condominium use, are just some of the strengths of this automation.

In addition, the new digital control panel is equipped with a **temperature sensor** that fine-tunes the gear motor performance in the event of cold, ice and snow and protects the motor in the event of overtemperature.

Thanks to the disconnection of the accessories, the motor goes into **energy saving mode** to limit consumption in standby.

Electromechanical actuators complete with an electronic control panel and 433 MHz radio

Article Code	Description of Article
NAION4 - NAION4J*	24 Vdc gear motor for gates up to 400 kg
NAION6 - NAION6J*	24 Vdc gear motor for gates up to 600 kg

*J version for 120 Vac power supply

DO IT - Set for sliding gates

Content: 1 gear motor + 1 built-in control panel LCU48 with radio receiver + 2 rolling code remote control 2Ch (1xZEN2 + 1xZEN2W) + 1 pair of LIN2 photocells + 1 FL24 Flashing light complete with antenna and 5 m coaxial cable + 1 E409B warning panel

Article Code	Description of Article
NADITION4L	24 Vdc set for gates up to 400 kg with a 433 MHz radio
NADITION6L	24 Vdc set for gates up to 600 kg with a 433 MHz radio

Simplified DO IT - Set for sliding gates

Content: 1 gear motor + 1 built-in control panel LCU48 with radio receiver + 2 rolling code remote control 2Ch (1xZEN2 + 1xZEN2W) + 1 pair of LIN2 photocells + 1 E409B warning panel

Article Code	Description of Article
NADITION4LS	24 Vdc set for gates up to 400 kg with a 433 MHz radio
NADITION6LS	24 Vdc set for gates up to 600 kg with a 433 MHz radio

Specific accessories

Article Code	Description of Article
NAIONRFK	Retrofit steel plate for replacement of existing Ditec or competitor automation with steps 190, 200, 210, 240, 250, 263, 280 and 300 mm
NAIONSBU	Card for recharging batteries from the mains or from photovoltaic panels (not included). Complete with cables and mountings for sliding gates (ION series)
NAIONKSBU	Card for recharging batteries from the mains. Complete with cables and mountings for sliding gates (ION series)
NAIONSBM	Accessory for remote release system (ION series)
NAASR2	Remote release handle key-protected. Complete with 5 m metal cord
NAKEYN	Neutral key
NANES100FCM	Magnetic limit switches
NACR4N4	Black rack 1005 mm, module 4, in PA6 nylon and fiberglass with steel core, 4 fixing points with buttonhole, for sliding gates up to 500 Kg (screws not included)
NACR4N6	Grey rack 1018 mm, module 4, in PA6 nylon and fiberglass with steel core, 6 fixing points with buttonhole, for sliding gates up to 800 Kg (screws not included)
NACROSSCRI	Galvanised steel rack, module 4, complete with mountings and screws - 30x12x1000 mm
NAIONC	Chain traction kit for ION serie (compatible with 1/2 "x 1/8" chain, not included)

The automation system can be completed with Ditec command, control and safety devices.

■ radio controls > page 86 ■ switches > page 92 ■ photocells > page 98 ■ flashing lights > page 100 ■ safety edges > page 101



IONRFK

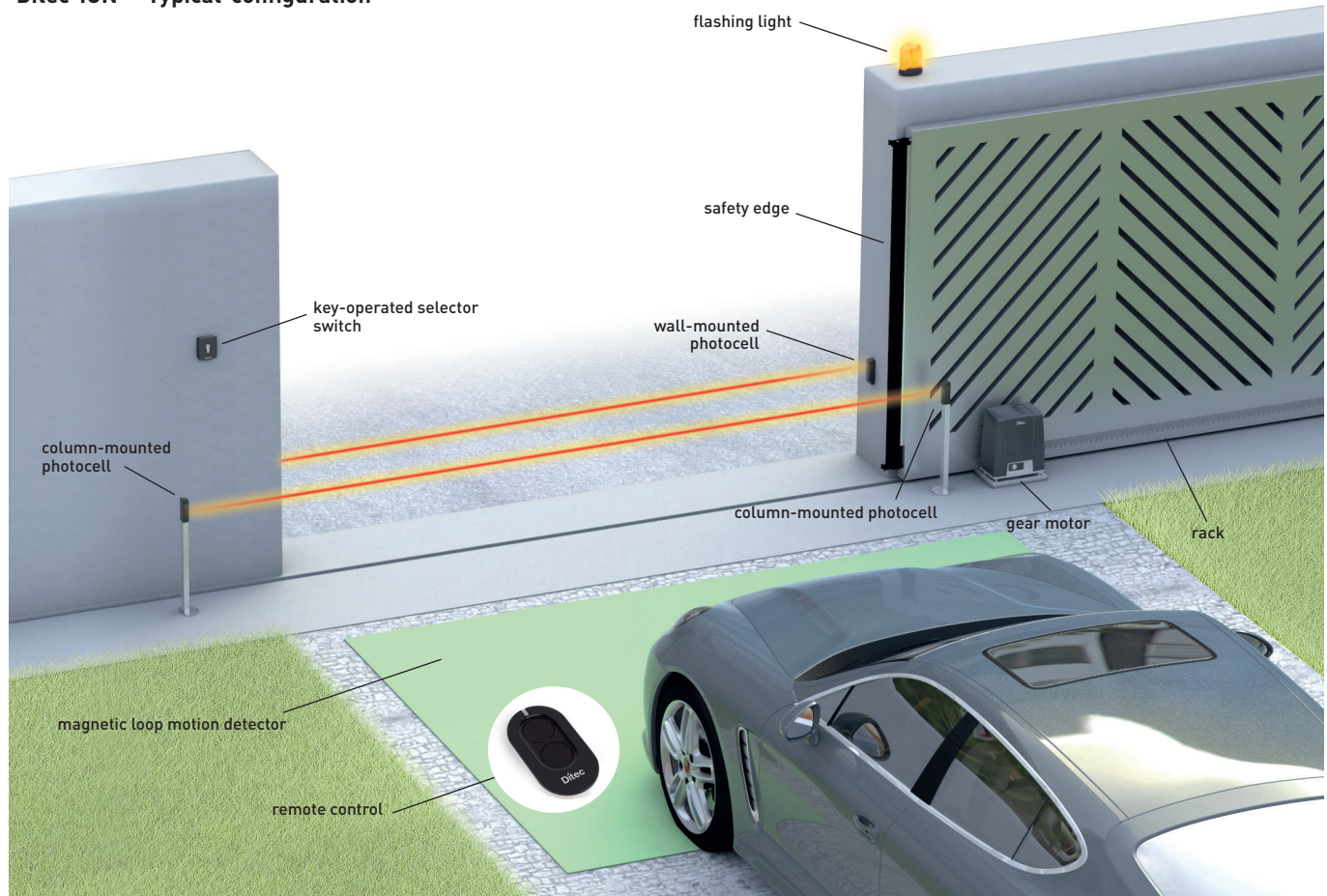


IONC

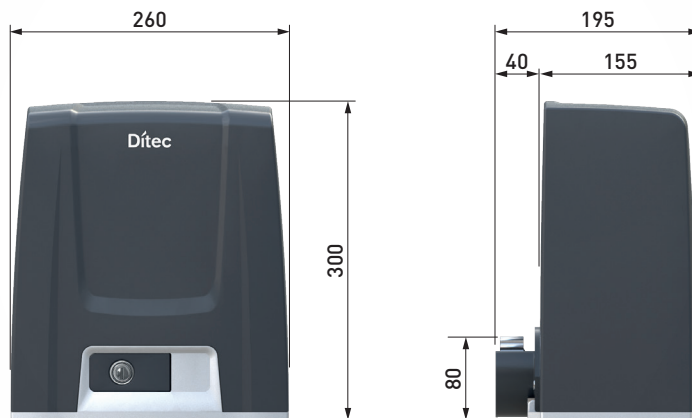


ASR2 - IONSBM

Ditec ION - Typical configuration



Dimensions



AUTOMATION FOR RESIDENTIAL, COMMERCIAL AND INDUSTRIAL SLIDING GATES

Ditec NEOS, Ditec NEOS SF, Ditec NEOS+



Ditec NEOS is the sliding-gate operating unit with three different performance levels: **Ditec NEOS**, **Ditec NEOS SUPERFAST** and **Ditec NEOS+**.

Intelligent: includes a fast self-learning procedure

Safe: continuous electronic control of impact forces and instantaneous obstruction detection.

Versatile: it is possible to adapt the automation system to any context by regulating approach distance and speed during opening and closure and initial triggering. ITT tests passed with active and passive safety edges in accordance with the EN 12453 standard. Functional safety: Category 2 PLC in accordance with the EN ISO 13849-1.

Available in both 230 Vac and 120 Vac power supply.

INTELLIGENT



SAFE



VERSATILE



Product range

Weight up to 400 kg	Weight up to 600 kg	Weight up to 1000 kg
Ditec NEOS 400 - NEOS+ 400	Ditec NEOS 600 - NEOS+ 600 - NEOS 600 SF	Ditec NEOS+ 1000

Technical specifications

Description	NEOS 400 - NEOS+ 400	NEOS 600 - NEOS+ 600	NEOS 600 SF - NEOS 600 SFJ	NEOS+ 1000 - NEOS+ 1000J
Electromechanical actuator	for sliding gates up to 400 kg	for sliding gates up to 600 kg	for sliding gates up to 600 kg	for sliding gates up to 1000 kg
Stroke control	virtual encoder	limit switch + virtual encoder	limit switch + virtual encoder	limit switch + virtual encoder
Capacity	400 kg	600 kg	600 kg	1000 kg
Maximum opening	12 m	20 m	20 m	20 m
Service index	4 - intensive	4 - intensive	4 - intensive	4 - intensive
Intermittent operation	S2 = 30 min S3 = 50%	S2 = 30 min S3 = 50%	S2 = 30 min S3 = 50%	S2 = 30 min S3 = 50%
Power absorption	230 Vac 50/60 Hz	230 Vac 50/60 Hz	230 Vac - 50-60 Hz 120 Vac - 50-60 Hz (J version)	230 Vac - 50-60 Hz 120 Vac - 50-60 Hz (J version)
Motor power supply	24 Vdc	24 Vdc	24 Vdc	24 Vdc
Power input	1.2 A	1.5 A	1.5 A 3 A (J version)	2 A 4 A (J version)
Thrust	400 N	600 N	500 N	1000 N
Opening and closing speed	0.1 - 0.25 m/s	0.1 - 0.24 m/s	0.1 - 0.4 m/s	0.1 - 0.19 m/s
Release system for manual opening	key-operated	key-operated	key-operated	key-operated
Operating temperature	-20°C ÷ +55°C (-35°C ÷ +55°C with NIO enabled)	-20°C ÷ +55°C (-35°C ÷ +55°C with NIO enabled)	-20°C ÷ +55°C (-35°C ÷ +55°C with NIO enabled)	-20°C ÷ +55°C (-35°C ÷ +55°C with NIO enabled)
Protection level	IP 24D	IP 24D	IP 24D	IP 24D
Product dimensions (mm)	335x210x307	335x220x325	335x220x325	335x220x325
Control panel	CS12E - CS12M (built-in)	CS12E - CS12M (built-in)	CS12E (built-in)	CS12M (built-in)

	NEOS 400 - 600 - 600 SF - 600 SFJ	NEOS+ 400 - 600 - 1000 - 1000 J
TECHNICAL FEATURES		
Control panel	ref. CS12E for NEOS line with built-in radio	ref. CS12M for NEOS+ line with built-in radio
Radio frequency	433.92 MHz standard 868.35 MHz with BIXPR2	433.92 MHz standard 868.35 MHz with ZENPRS or with BIXPR2
433MHz/868MHz interchangeable receiver module		■
Mains power supply	230 Vac - 50/60 Hz	230 Vac or 120 Vac - 50/60 Hz
Accessories power supply	24 Vdc - 0.3 A	24 Vdc - 0.5 A
Stroke control	virtual encoder	virtual encoder
Limit switch provision	■	■
Energy saving		reduced consumption on standby*
Operating temperature	-20°C ÷ +55°C in standard conditions -35°C ÷ +55°C with NIO enabled	-20°C ÷ +55°C in standard conditions -35°C ÷ +55°C with NIO enabled
Product dimensions (mm)	built-in	built-in
* Limitation of current absorbed by accessories on standby		
INPUTS		
Opening control	■	■
Partial opening control	■ only by radio	■
Close control	shared with emergency stop, which can be selected from the display	■
Stop control	■ only by radio	■
Step-by-step control	■	■
Hold-to-run control	■ via display	■
Automatic contact closing management (enable or disable automatic closing with external timer or a remote signal)		■
OUTPUTS		
Flashing light	24 Vdc	24 Vdc
Gate-open warning light with proportional blink rate		■
Courtesy light		■ up to 400 W
PROGRAMMABLE FUNCTIONS		
Configuration of programmable functions	display and navigation keys	display and navigation keys
Force adjustment	electronic	electronic
Speed	adjustable	adjustable
Soft Start/Soft Stop	adjustable	adjustable
Braking/Slowing down	adjustable	adjustable
Stop approach	adjustable	adjustable
Operation time	adjustable	adjustable
Automatic re-closing time	adjustable	adjustable
Integrated datalogging (counters and recent alarm history)		■ from FW vers. vers. 1.9
Extended datalogging on USB key (detailed records for every event)		■ through NES100USB accessory
FW update	■ using Amigo SW and USBPROG	■ using cable for micro USB and Amigo SW
SAFETY AND PROTECTION FUNCTIONS		
Emergency stop	■	■
Safe closing (inversion)	■	■
Safety Test Facility (for automatic safety devices)	■	■
ODS - Obstacle Detection System (causes the gate to stop or to reverse movement when an obstacle is detected)	■	■
NIO - Antifreeze system	■	■
OPTIONAL ACCESSORIES		
Batteries	■ with SBU	■ with SBU
Support for automation system with integrated batteries	■	■
Stand-alone solar-powered installation	■ with SBU	■ with SBU
8.2 KΩ-resistance safety edge	■ with accessory	■ with accessory
Magnetic loop detector	■ with LAB9	■ with LAB9

Ditec NEOS 400 - 600, Ditec NEOS SF

Automation for sliding gates weighing from 400 up to 600 kg



Ditec NEOS is a complete product: **the choice of high-quality materials and the internal layout of components** were selected to last and to withstand humidity, dust and insects.

In addition to the self-learning process, there are **three pre-defined configurations** for residential and condominium use and a **removable memory** where operational parameters can be saved for use on another operating unit.

There is a resettable counter for the partial and total number of operations which can be used to set a threshold for programmed maintenance.

Moreover, with **Ditec NEOS SUPERFAST**, it is possible to guarantee a speed of up to 40 cm/s observing all the current standards.

The frequencies that are available are **433 MHz** as the standard frequency and **868 MHz** in the case of frequency disturbance or interference.

Electromechanical actuators complete with an electronic control panel and 433 MHz radio

Article Code	Description of Article
NANES400EH	Intensive use 24 Vdc gear motor, for gates up to 400 kg
NANES600EH	Intensive-use 24 Vdc gear motor, for gates up to 600 kg, with magnetic limit switches

Fast electromechanical actuator complete with an electronic control panel and 433 MHz radio

Article Code	Description of Article
NANES600EHSF	SuperFast intensive use 24 Vdc gear motor, for gates up to 600 kg, with magnetic limit switches - opening speed up to 40 cm/s
NANES600EHSFJ*	

*J version for 120 Vac power supply

DO IT - Sets for sliding gates

Content: 1 gear motor + 1 CS12E control panel with built-in radio receiver + 2 rolling code remote control 2Ch (1xZEN2 + 1xZEN2W) + 1 pair of LIN2 photocells + 1 FL24 Flashing light complete with antenna and 5 m coaxial cable + E409B warning panel

Article Code	Description of Article
NADIT400NESL	24 Vdc complete set for gates up to 400 kg with a 433 MHz radio
NADIT600NESL	24 Vdc complete set for gates up to 600 kg with a 433 MHz radio and built-in magnetic limit switches

Simplified DO IT - Set for sliding gates

Content: 1 gear motor + 1 CS12E control panel with built-in radio receiver + 2 rolling code remote control 2Ch (1xZEN2 + 1xZEN2W) + 1 pair of LIN2 photocells + 1 E409B warning panel

Article Code	Description of Article
NADIT400NESLS	24 Vdc set for gates up to 400 kg with a 433 MHz radio
NADIT600NESLS	24 Vdc set for gates up to 600 kg with a 433 MHz radio and magnetic limit switches

Specific accessories

Article Code	Description of Article
NANES100PSU	Steel base plate for heavy application
NANES100RFK	Retrofit plate for adaptation to CROSS CS61 and CROSS 5-7-8-12-18 models and automation for sliding gates with steps 190, 200, 240 and 250 mm
NANES100WSP	"OMEGA" lifting system which can be regulated from the ground
NANES100FCM	Magnetic limit switches
NACR4N4	Black rack 1005 mm, module 4, in PA6 nylon and fiberglass with steel core, 4 fixing points with buttonhole, for sliding gates up to 500 Kg (screws not included)
NACR4N6	Grey rack 1018 mm, module 4, in PA6 nylon and fiberglass with steel core, 6 fixing points with buttonhole, for sliding gates up to 800 Kg (screws not included)
NACROSSCRI	Galvanised steel rack, module 4, with mountings and screws - 30x12x1000 mm
NANES100CKT	Chain traction kit for NEOS serie
NACATG	1/2" x 5/16" chain coupling
NACAT1	1/2" x 5/16" chain - 5 m sections (price per meter)
NASBU	Card for recharging batteries from the mains or from photovoltaic panels (not included). Complete with cables and mountings for swing gates control panels, barrier (Ditec QIK 7EH) and motors for sliding gates (NEOS serie)

Ditec NEOS+ 400 - 600 - 1000

Automation for sliding gates weighing from 400 up to 1000 kg



The **Ditec NEOS+** line adds advanced functions and exclusive technical characteristics: an evolutionary control panel for a **more accurate adjustment of all the supplementary parameters and terminal points** facilitating cabling operations and other functions.

Thanks to the dedicated terminal point it is possible to make a **simple and quick connection** of two Ditec NEOS+ operating units in a master/slave configuration for synchronised control of double-wing or interlocked automation systems.

In addition, external **LEDs** allow you to easily monitor the status of the **operating device** without opening the ASA cover

Electromechanicals actuators complete with an electronic control panel and 433 MHz radio

Article Code	Description of Article
NANES400EHP	Intensive use 24 Vdc gear motor, for gates up to 400 kg
NANES600EHP	Intensive-use 24 Vdc gear motor, for gates up to 600 kg, with built-in magnetic limit switches
NANES1000EHP NANES1000EHPJ*	Intensive-use 24 Vdc gear motor, for gates up to 1000 kg, with built-in magnetic limit switches

*J version for 120 Vac power supply

DO IT - Sets for sliding gates

Content: 1 gear motor + 1 CS12M control panel with built-in radio receiver + 2 rolling code remote control 2Ch (1xZEN2 + 1xZEN2W) + 1 pair of LIN2 photocells + 1 FL24 Flashing light complete with antenna and 5 m coaxial cable + E409B warning panel

Article Code	Description of Article
NADIT400NESLP	24 Vdc complete set for gates up to 400 kg with a 433 MHz radio
NADIT600NESLP	24 Vdc complete set for gates up to 600 kg with a 433 MHz radio and built-in magnetic limit switches

Specific accessories

Article Code	Description of Article
NANES100PSU	Steel base plate for heavy application
NANES100RFK	Retrofit plate for adaptation to CROSS CS61 and CROSS 5-7-8-12-18 models and automation for sliding gates with step 190, 200, 240 and 250 mm
NANES100WSP	"OMEGA" lifting system which can be regulated from the ground
NANES100FCM	Magnetic limit switches
NANES100USB	USB connection kit for detailed recording of each event and for carrying out diagnostics on a PC using Amigo software
NACR4N4	Black rack 1005 mm, module 4, in PA6 nylon and fiberglass with steel core, 4 fixing points with buttonhole, for sliding gates up to 500 Kg (screws not included)
NACR4N6	Grey rack 1018 mm, module 4, in PA6 nylon and fiberglass with steel core, 6 fixing points with buttonhole, for sliding gates up to 800 Kg (screws not included)
NACROSSCRI	Galvanised steel rack, module 4, complete with mountings and screws - 30x12x1000 mm
NANES100CKT	Chain traction kit for NEOS serie
NACATG	1/2" x 5/16" chain coupling
NACAT1	1/2" x 5/16" chain - 5 m sections (price per meter)
NASBU	Card for recharging batteries from the mains or from photovoltaic panels (not included). Complete with cables and mountings for swing gates control panels, barrier (Ditec QIK 7EH) and motors for sliding gates (NEOS series)



NEOS - NEOS+



NES100PSU



NES100RFK



NES100WSP



NES100FCM



CR4N4 - CR4N6

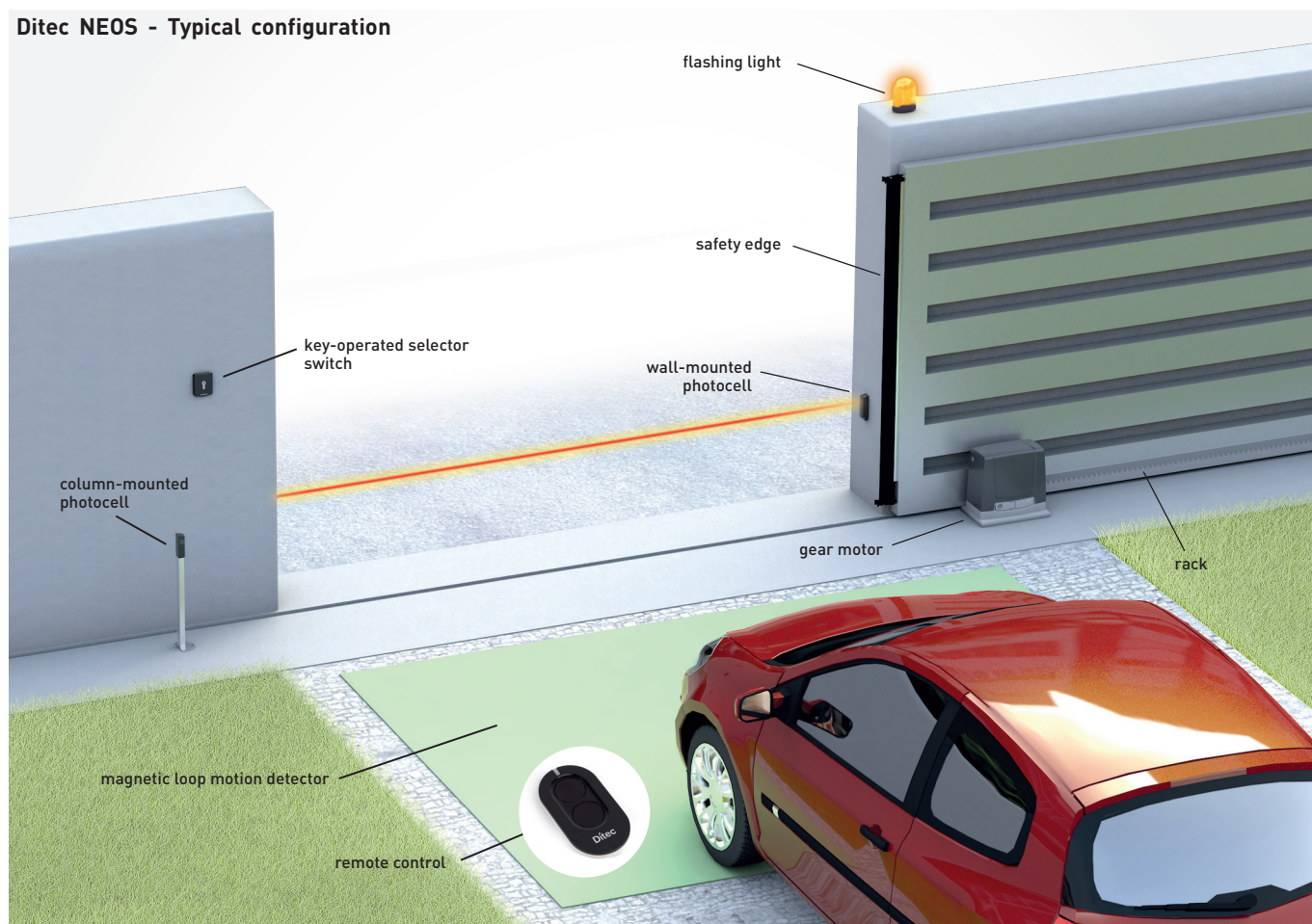


CROSSCRI



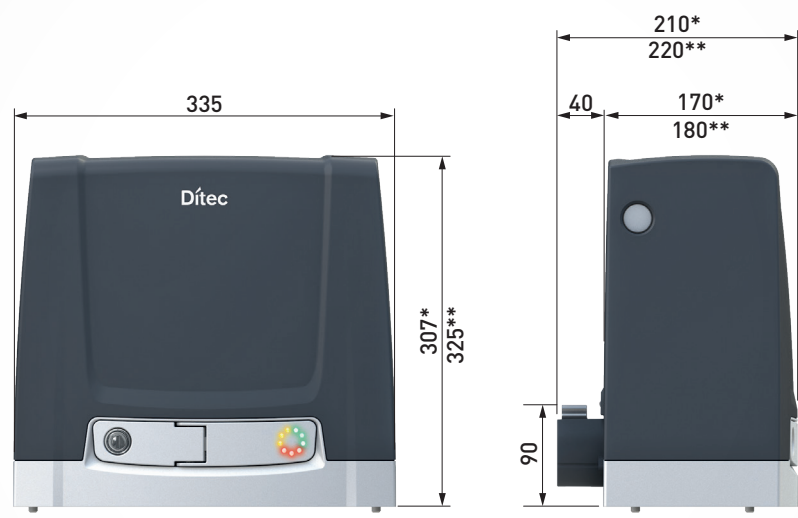
NES100CKT

Ditec NEOS - Typical configuration



The automation system can be completed with Ditec command, control and safety devices.
 ■ radio controls > page 86 ■ switches > page 92 ■ photocells > page 98 ■ flashing lights > page 100 ■ safety edges > page 101

Dimensions



*NEOS e NEOS+ 400 **NEOS e NEOS+ 600-1000
 NEOS 600 SF

AUTOMATION FOR COMMERCIAL, INDUSTRIAL AND CONDOMINIUM SLIDING GATES

Ditec CROSS



Ditec CROSS is the line of operating units for heavy and large sliding gates. **Powerful:** 230 Vac - 400 Vac three-phase electronics guarantees maximum performance thanks to greater dynamic thrust during the initial phase of operation.

Complete range: Two 1800 Kg versions without a control panel (one single phase, one three-phase), two 1800 Kg versions with a control panel (single phase) and one 3000 Kg version with a control panel (three-phase).

Sturdy and Reliable: unrelenting even under prohibitive conditions.

POWERFUL



COMPLETE
RANGE



RELIABLE
AND ROBUST



Product range

Weight up to 1800 kg	Weight up to 3000 kg
Ditec CROSS 18 - 19	Ditec CROSS 30E

Technical specifications

Description	CROSS 18	CROSS 18E	CROSS 18VE	CROSS 19V	CROSS 30E
Electromechanical actuator	for sliding gates up to 1800 kg	for sliding gates up to 1800 kg	for sliding gates up to 1800 kg	for sliding gates up to 1800 kg	for sliding gates up to 3000 kg
Stroke control	rotary limit switch	lever-operated mechanical stop	magnetic limit switch	magnetic limit switch	magnetic limit switch
Capacity	1800 kg	1800 kg	1800 kg	1800 kg	3000 kg
Service index	4 - intensive	4 - intensive	4 - intensive	4 - intensive	5 - heavy duty
Intermittent operation	S2 = 30 min S3 = 50%	S2 = 30 min S3 = 50%	S2 = 30 min S3 = 50%	S2 = 30 min S3 = 50%	S3 = 100%
Power absorption	230 Vac 50 Hz	230 Vac 50 Hz	230 Vac 50 Hz	400 Vac 50 Hz	400 Vac 50 Hz
Power input	3 A	3 A	3 A	1.2 A	2.1 A
Thrust	1200 N	1200 N	1200 N	1500 N	3000 N
Opening speed	0.2 m/s	0.2 m/s	0.2 m/s	0.2 m/s	0.16 m/s
Closing speed	0.2 m/s	0.2 m/s	0.2 m/s	0.2 m/s	0.16 m/s
Max stroke	11 m	20 m	20 m	20 m	20 m
Release system for manual opening	key operated	key operated	key operated	key operated	key-operated
Operating temperature	-20°C ÷ +55°C (-35°C ÷ +55°C with NIO enabled)	-20°C ÷ +55°C (-35°C ÷ +55°C with NIO enabled)	-20°C ÷ +55°C (-35°C ÷ +55°C with NIO enabled)	-20°C ÷ +55°C	-20°C ÷ +55°C
Protection level	IP 24D	IP 24D	IP 24D	IP 24D	IP 45
Product dimensions (mm)	440x205x375	440x205x375	440x205x375	440x205x375	530x275x588
Control panel	E1A LOGIC M	E1A (built-in)	LOGIC M (built-in)	E1T	E1T (built-in)

Guide for choosing the right control panel

	Is the control panel built-in?	Control panel	Built-in radio receiver into the panel?
CROSS 18	to be provided	E1A	■
CROSS 18E	to be provided	LOGIC M	to be provided
CROSS 18VE	■	E1A	■
CROSS 19V	■	LOGIC M	to be provided
CROSS 30E	to be provided	E1T	to be provided
	■	E1T	to be provided

	CROSS 18 - 18E	CROSS 18 -18VE	CROSS 19V - CROSS 30E
TECHNICAL FEATURES			
Control panel	ref. E1A for one 230 Vac motor with built-in radio	ref. LOGIC M for one or two 230 Vac motors	ref. E1T for one 400 Vac three-phase motor
Radio frequency	433.92 MHz standard 868.35 MHz with BIXPR2	433.92 MHz with BIXR2 868.35 MHz with BIXPR2	433.92 MHz with BIXR2 868.35 MHz with BIXPR2
Mains power supply	230 Vac - 50 Hz	230 Vac - 50 Hz	400 Vac - 50 Hz
Motor power supply	230 Vac - 5 A	230 Vac - 1 x 5 A 230 Vac - 2 x 2.5 A	400 Vac - 1 x 6 A
Accessories power supply	24 Vdc - 0.5 A	24 Vdc / 0.5 A	24 Vdc - 0.5 A
Limit switch provision	■	■ only with 1 motor	■
Operating temperature	-20°C ÷ +55°C in standard conditions -35°C ÷ +55°C with NIO enabled	-20°C ÷ +55°C in standard conditions -35°C ÷ +55°C with NIO enabled	-20°C ÷ +55°C
Control panel protection level	IP55	IP55	IP55
Control panel dimensions (mm)	187x261x105	187x261x105	187x261x105
INPUTS			
Opening control	shared with step-by-step control, selected with dip-switch	■	shared with step-by-step control, selected with dip-switch
Partial opening control	■ only by radio	■	■
Close control	shared with emergency stop, which can be selected by setting a jumper	■	■
Stop control	■	■	■
Step-by-step control	shared with opening control, selected via dip-switch	■	shared with opening control, selected via dip-switch
Hold-to-run control	■	■	■
Automatic closing contact management		■	■
OUTPUTS			
Flashing light	230 Vac	230 Vac and 24 Vdc	24 Vdc
Electrically operated lock		12-24 Vdc / 1.2 A 12 Vac / 15 W	
Gate-open warning light (ON/OFF)	■ from limit switch	■	■ from limit switch
Courtesy light	■ up to 60 W	■ up to 100 W, with only 1 motor, selected via jumper	
PROGRAMMABLE FUNCTIONS			
Configuration of programmable functions	dip-switches and trimmers	dip-switches and trimmers	dip-switches and trimmers
Force adjustment	electronically selected transformer	manually selected transformer	
Operation time	adjustable	adjustable	
Automatic re-closing time	adjustable	adjustable	adjustable
SAFETY AND PROTECTION FUNCTIONS			
Emergency stop	■	■	■
Safe closing (inversion)	■	■	■
Safety Test Facility (for automatic safety devices)	■	■	■
ODS - Obstacle Detection System (causes the gate to stop or to reverse movement when an obstacle is detected)	■	■	■ with active edge
NIO - Antifreeze system	■	■	
OPTIONAL ACCESSORIES			
8.2 KΩ-resistance safety edge	■ with accessory	■ with accessory	■ with accessory
Magnetic loop detector	■ with LAB9	■ with LAB9	■ with LAB9

Ditec CROSS 18, Ditec CROSS 19, Ditec CROSS 30E

Automation for sliding gates weighing from 1800 to 3000 kg



Ditec CROSS 18 and 19 - for up to 1800 Kg. Intensive use.

Sturdy: die-cast aluminium alloy gear motor with stainless-steel worm and lubricating grease, suitable for temperatures from -35°C to + 55°C.

Safe: electric brake and electronic clutch to guarantee irreversibility and accurate stopping points. key-protected lever operated release system in the event of blackouts.

Versatile: vertical levelling screws and horizontal adjustment slots to adjust the automation system to the supporting surface and the gate rack.

Ditec CROSS 30 - for up to 3000 Kg. 100% continuous use.

Reliable: auto-ventilated steel and bronze gear motor with an electric brake and a worm screw that is cemented, tempered and ground with a bronze crown and with oil-bath lubrication

Practical: the sturdy lever-operated release system is easily accessible by opening a key-locked inspection door, guaranteeing access to qualified personnel only.

Electromechanical actuators for gates weighing up to 1800 Kg

Article Code	Description of Article
NACROSS18	Intensive use gear motor, 230 Vac motor, with rotary limit switch
NACROSS18E	Intensive-use gear motor, 230 Vac motor, with lever-operated mechanical stop and built-in control panel and radio receiver
NACROSS18VE	Intensive-use gear motor, 230 Vac motor, with magnetic limit switch and built-in control panel
NACROSS19V	Intensive-use gear motor, three-phase 400 Vac motor, with magnetic limit switch

Electromechanical actuator for sliding gates weighing up to 3000 kg

Article Code	Description of Article
NACROSS30E	Intensive-use gear motor, three-phase 400 Vac motor with magnetic limit switch and built-in control panel

Electronic panels

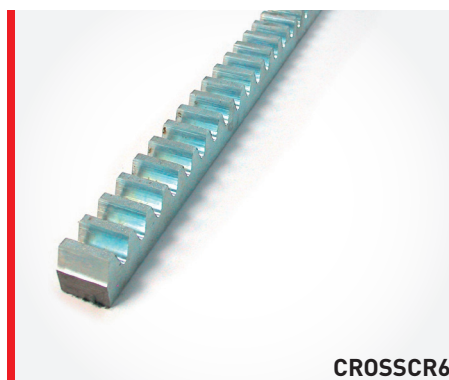
Article Code	Description of Article
NAE1A	For one 230 Vac / 5 A motor with built-in 433 MHz radio
NALOGICM	For one or two 230 Vac / 1 x 5 A - 2 x 2.5 A max motors
NAE1T	For one three-phase 400 Vac / 6 A max motor

Accessories

Article Code	Description of Article
NACROSSCRI	Galvanised steel rack, module 4, complete with mountings and screws - 30x12x1000 mm
NACROSSCR6	Galvanised steel rack - module 6 - 30x30x1000 mm for CROSS30E

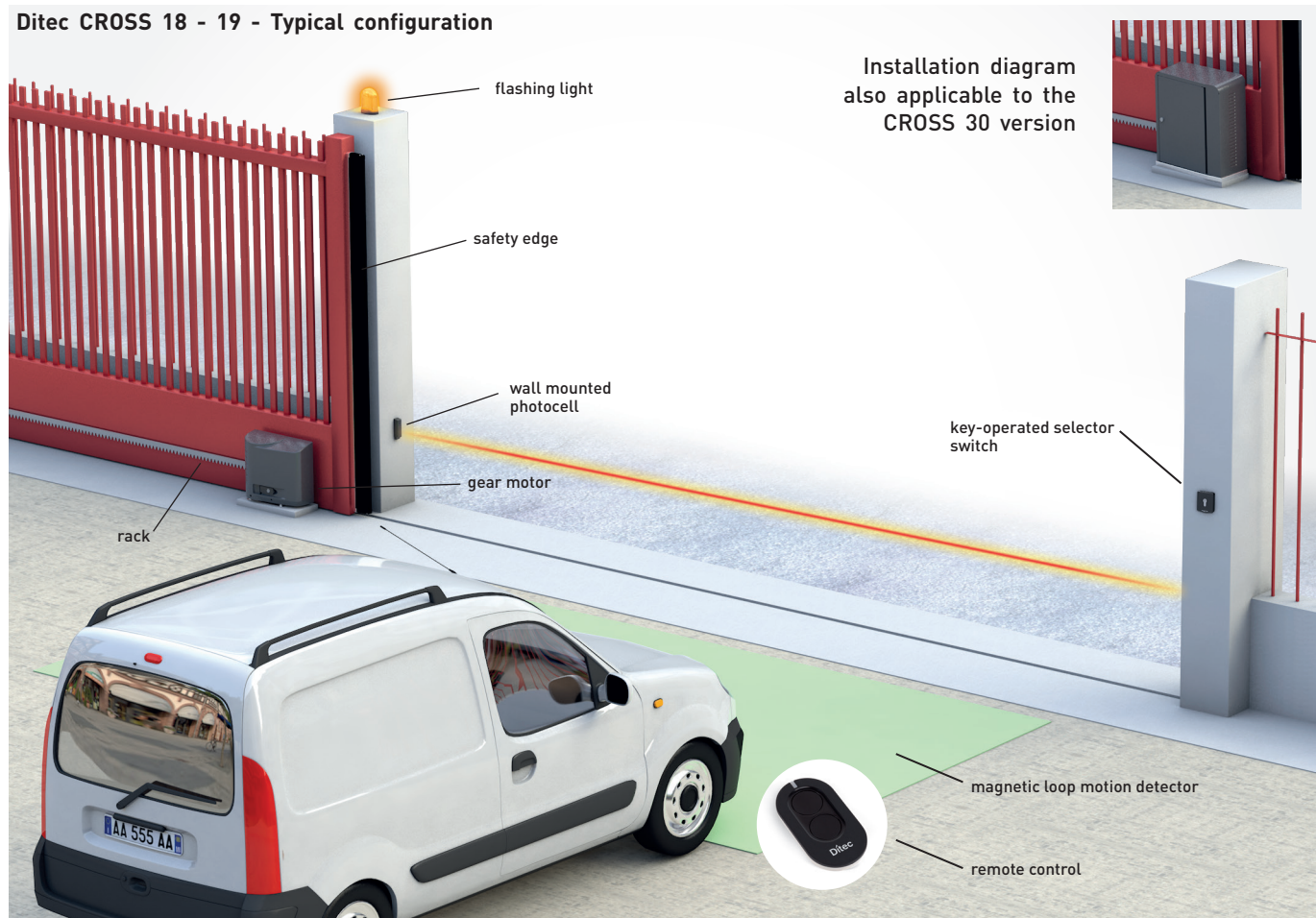


CROSSCRI



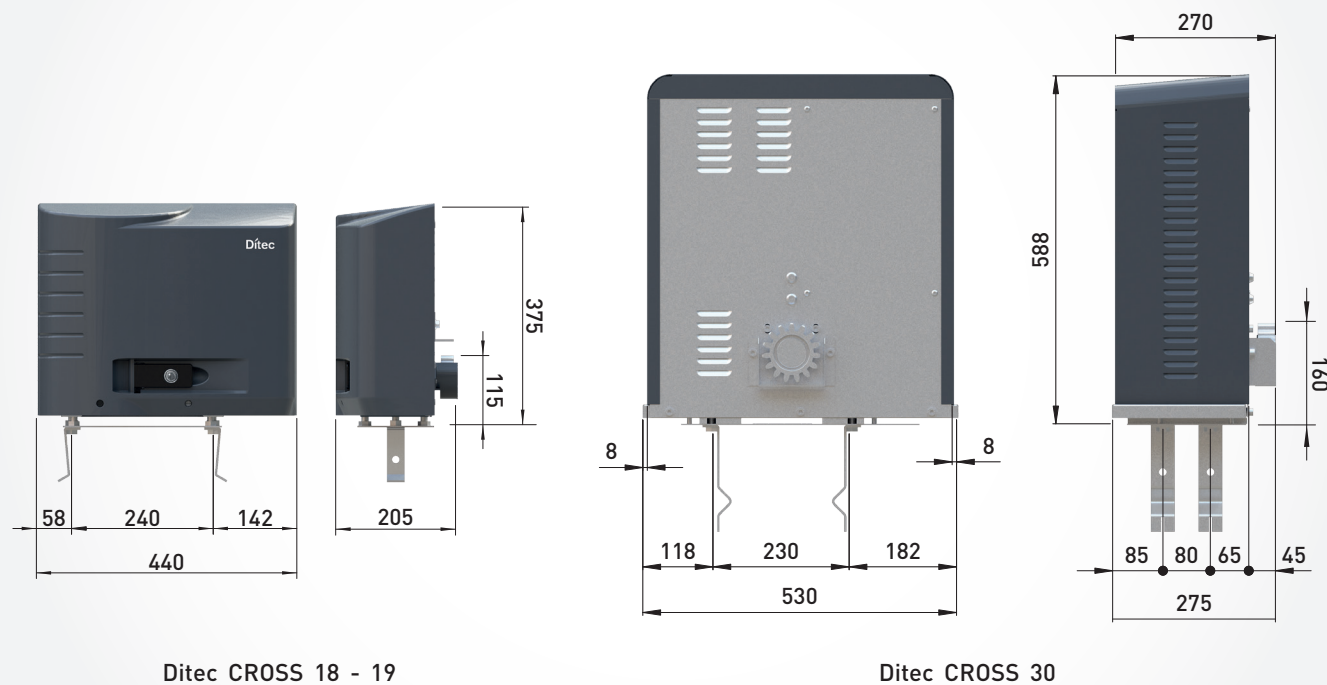
CROSSCR6

Ditec CROSS 18 - 19 - Typical configuration



The automation system can be completed with Ditec command, control and safety devices.
 ■ radio controls > page 86 ■ switches > page 92 ■ photocells > page 98 ■ flashing lights > page 100 ■ safety edges > page 101

Dimensions





AUTOMATION SYSTEMS FOR SWING GATES

EXTERNAL AUTOMATION SYSTEM

Ditec TS 35

telescopic up to 3.5 m wide wing

Ditec PWR 25

Ditec PWR 35

Ditec PWR 50

linear up to 5 m wide wing

Ditec FACIL

with articulated arm up to 2.3 wide wing

Ditec ARC

with articulated arm up to 5 m wide wing

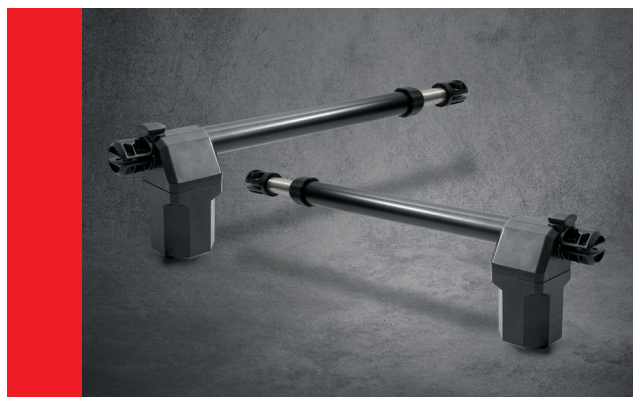
UNDERGROUND AUTOMATION SYSTEM

Ditec CUBIC

up to 4 m wide wing

TELESCOPIC AUTOMATION SYSTEM FOR SWING GATES

Ditec TS 35



Ditec TS 35 is the new 230 Vac irreversible telescopic operator for swing gates for frequent use and residential applications.

Quick to install: with the gate closed, fix the motor onto the pillar using the pre-drilled bracket plate, extend the telescopic arm and fasten it to the gate wing.

Reliable and sturdy: stainless steel motor shaft, gears and screw. pre-drilled brackets **thicker** than competitors to withstand more effectively the torsional and shear forces

Kit with advanced accessories: advanced functions available, together with Ditec control and security accessories

EASY
TO INSTALL



RELIABLE
AND STURDY



KIT WITH
ADVANCED
ACCESSORIES



Product range

For wing up to 3,5 m

Ditec TS 35

Technical specifications

Description	TS35ACD - TS35ACS
Electromechanical actuator	irreversible
Maximum load	400 kg x 1,5 m 300 kg x 3,5 m
Motor power feed	230 Vac - 50/60 Hz
Max power	330 W
Max absorption	1.5 A
Max thrust	3500 N
Opening speed	18 s ÷ 22 s / 90°
Maximum stroke	400 mm
Actuator maximum opening	110°
Intermittent operation	S2 = 10 min / S3 = 30%
Service class	frequent, up to 100,000 cycles
Release system for manual opening	key-operated
Operating temperature	-20°C ÷ +55°C in standard conditions (-35°C ÷ +55°C with NIO system)
Protection rating	IP33
Weight (kg)	4
Control panel	LCA70 or LCA80

	TS35ACD - TS35ACS	TS35ACD - TS35ACS
TECHNICAL FEATURES		
Control panel	LCA70 for 1 or 2 230 Vac motors with built-in radio	LCA80 for 1 or 2 230 Vac
Radio frequency	433.92 MHz as standard 868.35 MHz with ZENPRS or with BIXPR2	433.92 MHz with ZENRS or with BIXR2 868.35 MHz with ZENPRS or with BIXPR2
433MHz/868MHz interchangeable receiver module	■	■
Mains power supply	230 Vac - 50/60 Hz	230 Vac - 50/60 Hz
Motor power supply	230 Vac; 2 x 2 A max; 1 x 4 A max	230 Vac; 2 x 2 A max; 1 x 4 A max
24 Vdc and 24 Vac accessories power supply	0,3 A	0,5 A
Stroke control	end stop detection and time calculation	end stop detection and time calculation
Limit switch provision		■
Energy saving		■
Temperatura di funzionamento	-20°C ÷ +55°C in standard conditions [-35°C ÷ +55°C with NIO enabled]	-20°C ÷ +55°C in standard conditions [-35°C ÷ +55°C with NIO enabled]
Control panel protection level	IP55	IP55
Control panel dimensions (mm)	187x261x105	187x261x105
INPUTS		
Opening control	shared with step-by-step control, which can be selected via display	■
Partial opening control	■	■
Close control	shared with emergency stop, which can be selected from the display	■
Stop control	via radio or shared with partial opening control, which can be selected from the display	■
Step-by-step control	■	■
Hold-to-run control	■	■
Automatic closing contact management	shared with partial opening control, selected via display	■
OUTPUTS		
Flashing light	230 Vac 25 W max	230 Vac 25 W max
Electrically operated lock	12 Vac 15 W max	12 Vac 15 W max
8.2 KΩ-resistance safety edge	■with accessory	■during opening and closing (terminal connectors already integrated in the control panel)
24 Vdc number of configurable outputs	1	2
- gate-open warning light (ON/OFF)	■	■
- gate-open warning light with proportional blink rate	■	■
- courtesy light	■	■
- 24 Vdc led flashing light	■	■
PROGRAMMABLE FUNCTIONS		
Configuration of programmable functions	display and navigation keys	display and navigation keys
Force adjustment	■	■
Approach speed	adjustable	adjustable
Thrust on obstructions	adjustable	adjustable
Braking/Slowing down	adjustable	adjustable
Stop approach	adjustable	adjustable
Operation time	adjustable	adjustable
Automatic re-closing time	adjustable	adjustable
Compatibility with hydraulic motors	■	■
Heavy traffic management	■	■
Integrated datalogging (counters and recent alarm history)	■can be viewed on display	■can be viewed on display
FW update	■using Amigo SW and USBPROG	■using Amigo SW and USBPROG
SAFETY AND PROTECTION FUNCTIONS		
Emergency stop	■	■
Safe closing (inversion)	■	■
Safety Test Facility (for automatic safety devices)	■	■
ODS – Obstacle Detection System (causes the gate to stop or to reverse movement when an obstacle is detected)	■	■
NIO - Antifreeze system	■	■
OPTIONAL ACCESSORIES		
Magnetic loop detector	■with LAB9	■with LAB9

Ditec TS 35

Telescopic automation for swing gates up to 3.5 m wide wing



Ditec TS 35 AC - up to 3.5 wide wing. Frequent use.

Ditec control and accessories kit:

- **LIN2 compact photocells** adjustable beam direction
- **Ditec ZEN remote controls** with rolling code or AES-128 encrypted protocol, with literally billions of billions of possible combinations to make cloning impossible
- **Ditec FLM multi-voltage flashing light** with built-in flashing circuit and with a choice of white, blue, green, yellow or orange signal light colours

Telescopic electromechanical actuators for wings up to 3.5 m

Article Code	Description of Article
NATS35ACD	Irreversible, for frequent use, 230 Vac right motor actuator for gate wings up to 3.5 m. Complete with brackets
NATS35ACS	Irreversible, for frequent use, 230 Vac left motor actuator for gate wings up to 3.5 m. Complete with brackets
NAK2TS35AC	Pair of TS 35 telescopic actuators (one right, one left) for frequent use, 230 Vac motor, for gate wings up to 3.5 m

DO IT - Set for double wing swing gates

Content: 2 telescopic actuators + 1 control panel (LCA70) with built-in radio receiver + 1 pair of LIN2 photocells + 2 rolling-code 2-channel remote controls (1 x ZEN2 + 1 x ZEN2W) + 1 FLM flashing light complete with aerial and 5 m of coaxial antenna cable per aerial

Article Code	Description of Article
NADITS35L	Set for double wing swing gates up to 7 m (3.5 + 3.5 m), complete with a 433 MHz radio receiver

Simplified DO IT - Set for double wing swing gates

Contents: 2 telescopic operators + 1 control panel (LCA70) with integrated radio receiver + 1 pair of LIN2 photocells + 2 rolling code 2-channel remote controls (1 x ZEN2 + 1 x ZEN2W)

Article Code	Description of Article
NADITS35LS	Set for double wing swing gates up to 7 m (3.5 + 3.5 m), complete with a 433 MHz radio receiver

Control panel

Article Code	Description of Article
NALCA70	For 1 or 2 230 Vac motors, 1 x 4 A, 2 x 2 A. 433 MHz radio receiver
NALCA80	For 1 or 2 230 Vac motors, 1 x 4 A, 2 x 2 A. 433 MHz or 868 MHz (not included) radio receiver



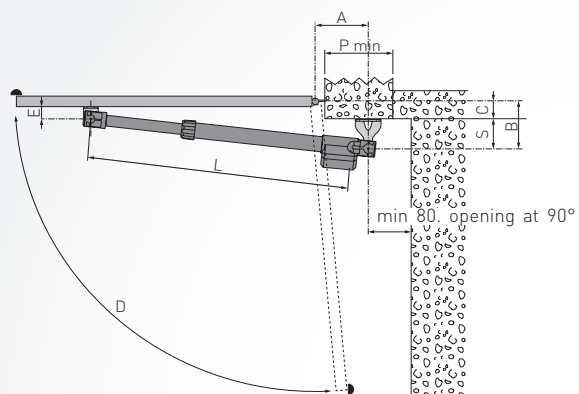
TS 35

Ditec TS 35 - Typical configuration



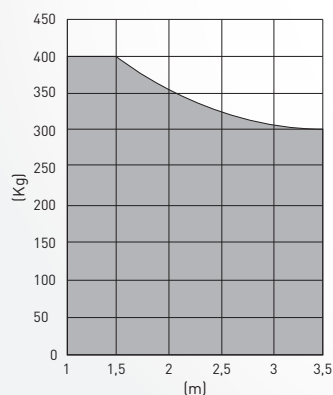
The automation system can be completed with Ditec command, control and safety devices.
 ■ radio controls > page 86 ■ switches > page 92 ■ photocells > page 98 ■ flashing lights > page 100 ■ safety edges > page 101

Installation measurements

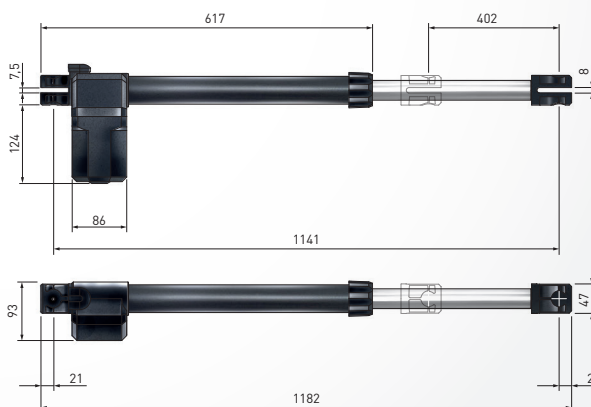


A	B	C	S	D	E	L	P min
150	130	15	115	110°	46	1120	170
160	120	30	90	105°			180
160	160	45	115	100°			180
100	165	50	115	90°			120
130	160	70	90	95°			150
120	200	85	115	95°			140
150	200	85	115	90°			170
130	190	100	90	95°			150
130	220	105	115	90°			150

Operation limits



Dimensions



EXTERNAL AUTOMATION SYSTEM FOR SWING GATES

Ditec PWR



Ditec PWR is the new range of operating units for swing gates in residential, condominium and industrial applications.

Safe: The 24 Volt DC motor with a virtual encoder allows for constant adjustment of the force of impact and immediate detection of obstructions
Easy to install thanks to specific design characteristics: installation mounting tool for fast assembly, pre-drilled fixing plates, mechanical stops that only need adjustment.

Complete line: a frequent use motor for wing up to 2.5 m (Ditec PWR 25), one intensive-use motor for wing up to 3.5 m (Ditec PWR 35) and four very-intensive-use motors for wing up to 5 m (Ditec PWR 50 series), three at 24 Vdc and one at 230 Vac

SAFE



EASY TO INSTALL



COMPLETE RANGE



Product range

For wing up to 2.5 m	For wing up to 3.5 m	For wing up to 5 m
Ditec PWR 25	Ditec PWR 35	Ditec PWR 50

Technical specifications

Description	PWR25H	PWR35H
Electromechanical actuator	irreversible for up to 2.5 m wide wing	irreversible for up to 3.5 m wide wing
Stroke control	mechanical stop	mechanical stop (magnetic limit switch optional)
Maximum capacity	400 kg x 1.5 m 200 kg x 2.5 m	600 kg x 1.75 m 250 kg x 3.5 m
Power absorption	24 Vdc	24 Vdc
Maximum power	5 A	5.5 A
Power input	55 W nom. / 120 W max	65 W nom. / 132 W max
Thrust	2000 N	3000 N
Opening time	10÷60 s / 90°	14÷80 s / 90°
Max travel	350 mm	450 mm
Actuator maximum opening	110°	110°
Intermittent operation	30 consecutive cycles at 20°C	50 consecutive cycles at 20°C
Service index	frequent tested up to 150,000 cycles	intensive tested up to 300,000 cycles
Release system for manual opening	key-operated	key-operated
Operating temperature	-20°C ÷ +55°C (-35°C ÷ +55°C with NIO enabled)	-20°C ÷ +55°C (-35°C ÷ +55°C with NIO enabled)
Protection level	IP44	IP44
Weight (kg)	7.8	9
Control panel	LCU30H - LCU30HJ LCU40H - LCU40HJ*	LCU30H - LCU30HJ LCU40H - LCU40HJ*

*J version for 120 Vac power supply

Technical specifications

Description	PWR50H	PWR50HV	PWR50HR	PWR50AC
Electromechanical actuator	irreversible for up to 5 m wide wing	irreversible for up to 5 m wide wing	reversible for up to 5 m wide wing	non reversible / reversible for up to 5 m wide wing
Stroke control	mechanical stops (magnetic limit switch optional)	magnetic limit switch (mechanical stops optional)	mechanical stop (magnetic limit switch optional)	mechanical stop (in open position)
Maximum capacity	800 kg x 1.75 m 280 kg x 5 m	800 kg x 1.75 m 280 kg x 5 m	800 kg x 1.75 m 280 kg x 5 m	800 Kg x 1,75 m 280 Kg x 5 m
Power absorption	24 Vdc	24 Vdc	24 Vdc	230 Vac - 50 Hz
Maximum power	12 A	12 A	12 A	1,1 A
Power input	65 W nom. / 288 W max	65 W nom. / 288 W max	65 W nom. / 288 W max	250 W
Thrust	6000 N	6000 N	6000 N	6000 N
Opening time	14÷80 s / 90°	14÷80 s / 90°	14÷80 s / 90°	32 s / 90°
Max travel	500 mm	500 mm	500 mm	500 mm
Actuator maximum opening	120°	120°	120°	120°
Intermittent operation	60 consecutive cycles at 20°C	60 consecutive cycles at 20°C	60 consecutive cycles at 20°C	30 consecutive cycles at 20°C
Service index	very Intensive tested up to 450,000 cycles	very Intensive tested up to 450,000 cycles	super Intensive tested up to 600,000 cycles	very Intensive tested up to 450,000 cycles
Release system for manual opening	key-operated	key-operated	key-operated	key-operated
Operating temperature	-20°C ÷ +55°C (-35°C ÷ +55°C with NIO enabled)	-20°C ÷ +55°C (-35°C ÷ +55°C with NIO enabled)	-20°C ÷ +55°C (-35°C ÷ +55°C with NIO enabled)	-20°C ÷ +55°C (-35°C ÷ +55°C with NIO enabled)
Protection level	IP44	IP44	IP44	IP44
Weight (kg)	10.5	10.5	10.5	10.5
Control panel	LCU40H - LCU40HJ*	LCU40H - LCU40HJ*	LCU40H - LCU40HJ*	LCA70 or LCA80

*J version for 120 Vac power supply



PWR25H



PWR35H



PWR50 serie

	PWR25H - PWR35H	PWR25H - 35H - 50H - 50HV - 50HR
TECHNICAL FEATURES		
Control panel	LCU30H for 1 or 2 24 Vdc motors with built-in radio	LCU40H for 1 or 2 24 Vdc motors with built-in radio
Radio frequency	433.92 MHz as standard 868.35 MHz with ZENPRS or with BIXPR2	433.92 MHz as standard 868.35 MHz with ZENPRS or with BIXPR2
433MHz/868MHz interchangeable receiver module	■	■
Mains power supply	230 Vac or 120 Vac - 50/60 Hz	230 Vac or 120 Vac - 50/60 Hz
Motor power supply	24 Vdc - 2 x 6 A	24 Vdc - 2 x 12 A
Accessories power supply	24 Vdc - 0.3 A [0.5 A max.]	24 Vdc - 0.5 A
Stroke control	virtual encoder	virtual encoder
Limit switch provision	■	■
Energy saving		<1 W on standby
Operating temperature	-20°C ÷ +55°C in standard conditions / -35°C ÷ +55°C with NIO enabled	
Control panel protection level	IP55	IP55
Control panel dimensions (mm)	187x261x105	238x357x120
INPUTS		
Opening control	shared with step-by-step control, selected via display	■
Partial opening control	■	■
Close control	shared with emergency stop, which can be selected from the display	■
Stop control	■ via radio or shared with partial opening control, which can be selected from the display	■
Step-by-step control	■	■
Hold-to-run control	■ selected via display	■
Automatic closing contact management	shared with partial opening control, selected via display	■
OUTPUTS		
Flashing light	24 Vdc	24 Vdc
Electrically operated lock	12 Vdc / 15 W	12 Vdc / 15 W
Gate-open warning light (ON/OFF)	■ shared with electrically operated lock or flashing light	■
Gate-open warning light with proportional blink rate	■ shared with electrically operated lock or flashing light	■
Courtesy light	■ shared with electrically operated lock or flashing light	■ shared with electrically operated lock or flashing light
PROGRAMMABLE FUNCTIONS		
Configuration of programmable functions	display and navigation keys	display and navigation keys
Force adjustment	electronic	electronic
Speed	adjustable	adjustable
Soft Start/Soft Stop	adjustable	adjustable
Braking/Slowing down	adjustable	adjustable
Stop approach	adjustable	adjustable
Operation time	adjustable	adjustable
Automatic re-closing time	adjustable	adjustable
Integrated datalogging (counters and recent alarm history)	■ can be viewed on display	■ can be viewed on display and on a PC with Amigo SW
Extended datalogging with micro SD (in-depth records for every event)		■ can be viewed on a PC with Amigo SW
FW update	■ using Amigo SW and USBPROG	■ using MicroSD or using Amigo SW and USBPROG
SAFETY AND PROTECTION FUNCTIONS		
Emergency stop	■	■
Safe closing (inversion)	■	■
Safety Test Facility (for automatic safety devices)	■	■
ODS – Obstacle Detection System (causes the gate to stop or to reverse movement when an obstacle is detected)	■	■
NIO - Antifreeze system	■	■
OPTIONAL ACCESSORIES		
Batteries	■ with SBU	■ with SBU
Possibility of integrated batteries in the control panel		■
Stand-alone solar-powered installation	■ with SBU	■ with SBU
Hybrid solar-powered installation		■ with SBU
8.2 KΩ-resistance safety edge	■ with accessory	■ with accessory
Magnetic loop detector	■ with LAB9	■ with LAB9

	PWR50AC	PWR50AC
TECHNICAL FEATURES		
Control panel	LCA70 for 1 or 2 230 Vac motors with built-in radio	LCA80 for 1 or 2 230 Vac
Radio frequency	433.92 MHz as standard 868.35 MHz with ZENPRS or with BIXPR2	433,92 MHz with ZENRS or with BIXR2 868,35 MHz with ZENPRS or with BIXPR2
433MHz/868MHz interchangeable receiver module	■	■
Mains power supply	230 Vac - 50/60 Hz	230 Vac - 50/60 Hz
Motor power supply	230 Vac; 2 x 2 A max; 1 x 4 A max	230 Vac; 2 x 2 A max; 1 x 4 A max
24 Vdc and 24 Vac accessories power supply	0,3 A	0,5 A
Stroke control	end stop detection and time calculation	end stop detection and time calculation
Limit switch provision		■
Energy saving		■
Temperatura di funzionamento	-20°C ÷ +55°C in standard conditions [-35°C ÷ +55°C with NIO enabled]	
Control panel protection level	IP55	IP55
Control panel dimensions (mm)	187x261x105	187x261x105
INPUTS		
Opening control	shared with step-by-step control, which can be selected via display	■
Partial opening control	■	■
Close control	shared with emergency stop, which can be selected from the display	■
Stop control	via radio or shared with partial opening control, which can be selected from the display	■
Step-by-step control	■	■
Hold-to-run control	■	■
Automatic closing contact management	shared with partial opening control, selected via display	■
OUTPUTS		
Flashing light	230 Vac 25 W max	230 Vac 25 W max
Electrically operated lock	12 Vac 15 W max	12 Vac 15 W max
8.2 KΩ-resistance safety edge	■ with accessory	■ during opening and closing (terminal connectors already integrated in the control panel)
24 Vdc number of configurable outputs	1	2
- gate-open warning light (ON/OFF)	■	■
- gate-open warning light with proportional blink rate	■	■
- courtesy light	■	■
- 24 Vdc led flashing light	■	■
PROGRAMMABLE FUNCTIONS		
Configuration of programmable functions	display and navigation keys	display and navigation keys
Force adjustment	■	■
Approach speed	adjustable	adjustable
Thrust on obstructions	adjustable	adjustable
Braking/Slowing down	adjustable	adjustable
Stop approach	adjustable	adjustable
Operation time	adjustable	adjustable
Automatic re-closing time	adjustable	adjustable
Compatibility with hydraulic motors	■	■
Heavy traffic management	■	■
Integrated datalogging (counters and recent alarm history)	■ can be viewed on display	■ can be viewed on display
FW update	■ using Amigo SW and USBPROG	■ using Amigo SW and USBPROG
SAFETY AND PROTECTION FUNCTIONS		
Emergency stop	■	■
Safe closing (inversion)	■	■
Safety Test Facility (for automatic safety devices)	■	■
ODS – Obstacle Detection System (causes the gate to stop or to reverse movement when an obstacle is detected)	■	■
NIO - Antifreeze system	■	■
OPTIONAL ACCESSORIES		
Magnetic loop detector	■ with LAB9	■ with LAB9

Ditec PWR 25, Ditec PWR 35, Ditec PWR 50

Automation for swing gates up to 5 m wide wing



Ditec PWR 25 and 35 - for wing up to 3.5 m. Frequent and intensive use
Easy: simply loosen a single screw to remove the plastic cover and access the electrical wire terminals.

Sturdy: actuator consisting of two robust aluminium die castings which guarantee optimal protection against shearing forces and torsion.

Ditec PWR 50 - for wing up to 5 m. Intensive to super intensive use

Practical: manual release that guarantees opening with minimum effort and a removable cover for easy access to the screw for adjustment and maintenance.

Simple: accurate adjustment of mechanical limit stops directly on the screw (PWR50H, PWR50HR and PWR50AC in opening). Pre-mounted and wired magnetic limit switches (PWR50HV). In addition, there is a slotted mounting plate to weld the bracket quickly and easily

Electromechanical actuators for wings up to 2.5 - 3.5 - 5 m

Article Code	Description of Article
NAPWR25H	Irreversible for frequent use, 24 Vdc motor for wing up to 2.5 m. Complete with brackets, mechanical limit stops and plastic screw protection
NAPWR35H	Irreversible for intensive use, 24 Vdc motor for wing up to 3.5 m. Complete with brackets, mechanical limit stops and plastic screw protection
NAPWR50H	Irreversible for very intensive use, 24 Vdc motor, for wing up to 5 m. Complete with brackets, mechanical limit stops (PWRFM) and screw-protecting dustproof brushes
NAPWR50HV	Irreversible for very intensive use, 24 Vdc motor, for wing up to 5 m. Complete with brackets, pre-fitted magnetic limit switches (PWR50ML) and screw-protecting dustproof brushes
NAPWR50HR	Reversible for super intensive use, 24 Vdc motor, for wing up to 5 m. Complete with brackets, mechanical limit stops (PWRFM) and screw-protecting dustproof brushes
NAPWR50AC	Reversible - irreversible, for very intensive use, 230 Vac motor, for wing up to 5 m. Complete with brackets, mechanical limit stop in opening (PWRFM)

DO IT - Set for double wing swing gates

Content: 2 actuators + 1 control panel LCU30H with built-in radio receiver + 1 pair of LIN2 photocells + 2 rolling-code remote control 2-Ch (1 x ZEN2 + 1 x ZEN2W) + 1 FL24 Flashing light complete with aerial and 5 m of coaxial cable per aerial + E409B warning panel

Article Code	Description of Article
NADITPWR25HL	Set for double wing swing gates up to 5 m (2.5 + 2.5 m) complete with a 433 MHz radio receiver

Content: 2 actuators + 1 control panel LCU40H with built-in radio receiver + 1 pair of LIN2 photocells + 2 rolling-code remote control 2-Ch (1 x ZEN2 + 1 x ZEN2W) + 1 FL24 Flashing light complete with aerial and 5 m of coaxial cable per aerial + E409B warning panel

Article Code	Description of Article
NADITPWR35HL	Set for 2 double swing gates up to 7 m (3.5 + 3.5 m) complete with a 433 MHz radio receiver

Simplified DO IT - Set for double wing gate

Content: 2 actuators + 1 control panel LCU30H with built-in radio receiver + 1 pair of LIN2 photocells + 2 rolling code remote control 2-Ch (1xZEN2 + 1xZEN2W) + E409B warning panel

Article Code	Description of Article
NADITPWR25HLS	Set for double wing gate up to 5 m wide (2.5 m + 2.5 m) with 433 MHz built-in radio receiver
NADITPWR35HLE	Set for double wing gate up to 7 m wide (3.5 m + 3.5 m) with 433 MHz built-in radio receiver

Content: 2 actuators + 1 control panel LCU40H with built-in radio receiver + 1 pair of LIN2 photocells + 2 rolling code remote control 2-Ch (1xZEN2 + 1xZEN2W) + E409B warning panel

Article Code	Description of Article
NADITPWR35HLS	Set for double wing gate up to 7 m wide (3.5 m + 3.5 m) with 433 MHz built-in radio receiver

Control panels 24 Vdc

Article Code	Description of Article
NALCU30H - NALCU30HJ*	For one or two 24 Vdc / 2 x 6 A max motors with a 433 MHz radio
NALCU40H - NALCU30HJ*	For one or two 24 Vdc / 2 x 12 A max motors with a 433 MHz radio

*J version 120 Vac power supply

Control panel 230 Vac

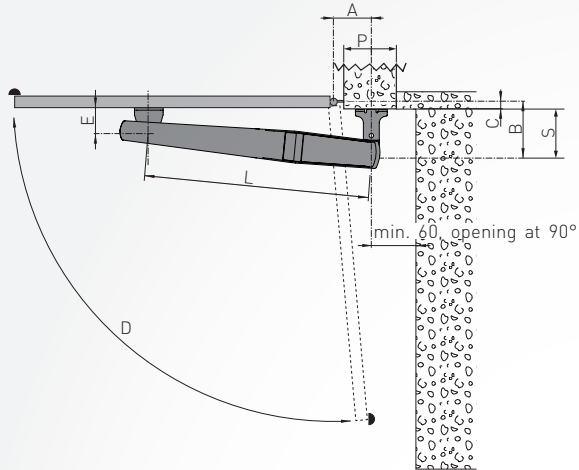
Article Code	Description of Article
NALCA70	For 1 or 2 230 Vac motors, 1 x 4 A, 2 x 2 A. 433 MHz radio receiver
NALCA80	For 1 or 2 230 Vac motors, 1 x 4 A, 2 x 2 A. 433 MHz or 868 MHz (not included) radio receiver

Specific accessories

Article Code	Description of Article
NAPWRMI	Installation mounting tool for electromechanical actuators
NAPWR35ML	Magnetic limit switches for PWR35H
NAPWR50ML	Magnetic limit switches assembly for PWR50H and PWR50HR
NAPWRACF	Limit switch set in opening and closing for PWR50AC motor
NAPWRFM	Internal mechanical limit stop for PWR50 series
NAPWRSBM	Accessory for a remote release system for PWR25H and PWR35H electromechanical actuators
NAASR	Remote release system: key-protected container, release lever, control pushbutton, 5 m cord

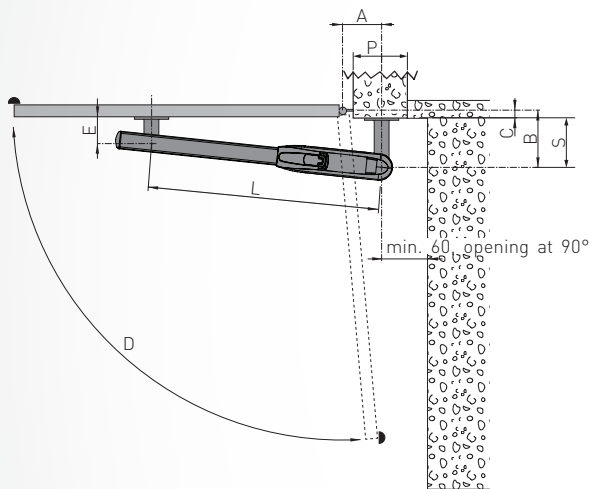


Installation measurements



Ditec PWR 25 - 35

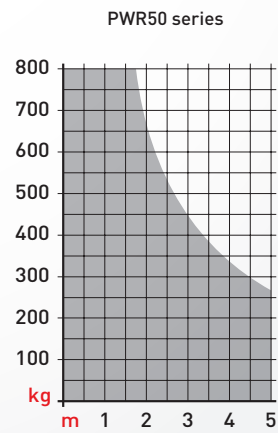
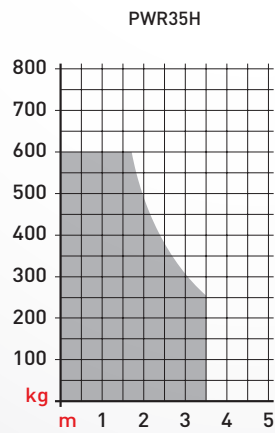
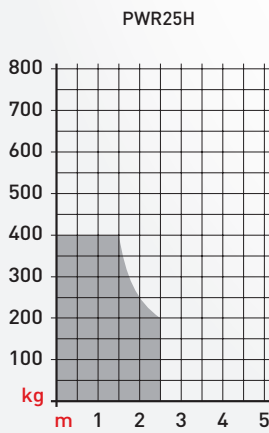
	A	B	C	S	D	E	L	P min
PWR25H	90	160	50	110	95°	90	700	110
	110	160	50	110	100°			120
	150	130	50	80	110°			160
	130	150	70	80	90°			140
	110	180	100	80	90°			120
	100	190	110	80	90°			110
PWR35H	90	190	50	140	95°	110	850	100
	130	190	50	140	100°			140
	150	190	50	140	110°			160
	130	180	70	110	90°			140
	130	210	100	110	90°			140
	110	260	150	110	90°			120
100	280	200	80	90°	110			



Ditec PWR 50

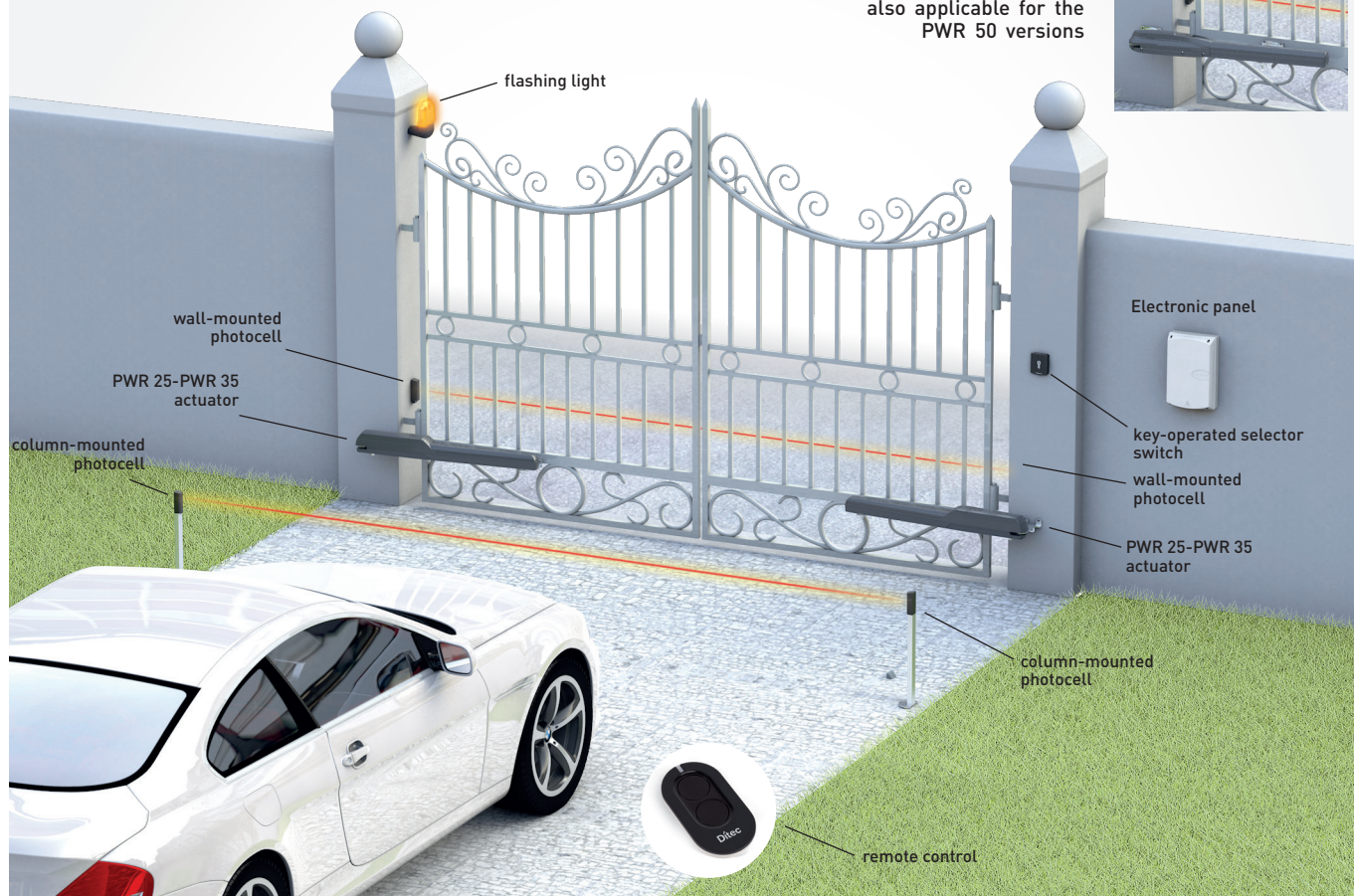
	A	B	C	S	D	E	L	P min
PWR50H	200	190	20	170	120°	120	910	220
	200	200	50	150	110°			220
PWR50HV	100	220	50	170	90°			120
	130	210	70	140	95°			150
PWR50HR	170	220	100	120	95°			190
	200	190	100	90	100°			220
PWR50AC	150	220	150	70	95°	170		
	130	290	220	70	90°	150		

Operation Limits



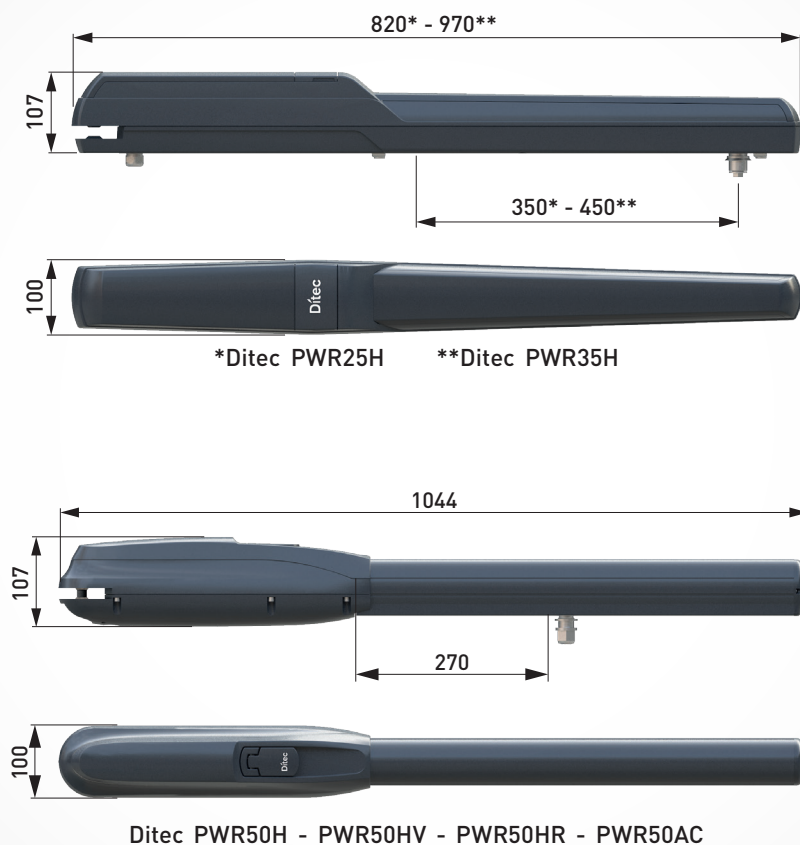
Ditec PWR 25H - PWR 35H - Typical configuration

Installation diagram also applicable for the PWR 50 versions



The automation system can be completed with Ditec command, control and safety devices.
 ■ radio controls > page 86 ■ switches > page 92 ■ photocells > page 98 ■ flashing lights > page 100 ■ safety edges > page 101

Dimensions



AUTOMATION WITH ARM FOR SWING GATES

Ditec FACIL



Ditec FACIL is an articulated-arm automation system for gates with wing up to 2.3 m or weighing up to 300 kg, suitable for medium and large sized pillars that may even be out-of-plumb.

Safe: The 24 Volt DC motor with a virtual encoder allows for constant adjustment of the force of impact and immediate detection of obstructions.

Easy to install: it can be installed in just two steps thanks to the motor's brackets that can be attached very quickly without any welding.

Versatile: the manual key-operated release system is located at the front and is easily accessible. Ready for optional remote release system and optional batteries. Version with an integrated control panel (FACIL 3EH).



Product range

For wing up to 2.3 m

Ditec FACIL 3H - Ditec FACIL 3EH

Technical specifications

Description	FACIL 3EH	FACIL 3H
Electromechanical actuator	irreversible for up to 2.3 m wide wing	irreversible for up to 2.3 m wide wing
Stroke control	rotary limit switch (optional)	rotary limit switch (optional)
Maximum capacity	200 kg x 2.3 m 300 kg x 1 m	200 kg x 2.3 m 300 kg x 1 m
Service index	3 - frequent	3 - frequent
Intermittent operation	S2 = 30 min S3 = 50%	S2 = 30 min S3 = 50%
Power absorption	24 Vdc	24 Vdc
Power input	6 A	6 A
Torque	200 Nm	200 Nm
Opening time	10÷55 s/90°	10÷55 s/90°
Actuator maximum opening	110°	110°
Release system for manual opening	key-operated	key-operated
Operating temperature	-20°C ÷ +55°C [-35°C ÷ +55°C with NIO enabled]	-20°C ÷ +55°C [-35°C ÷ +55°C with NIO enabled]
Protection level	IP 54	IP 54
Product dimensions (mm)	188x285x332	188x285x332
Control panel	LCU30H (built-in)	LCU30H - LCU30HJ* LCU40H - LCU40HJ*

*J version 120 Vac power supply

	FACIL 3H, FACIL 3EH	FACIL 3H
TECHNICAL FEATURES		
Control panel	LCU30H for 1 or 2 24 Vdc motors with built-in radio	LCU40H for 1 or 2 24 Vdc motors with built-in radio
Radio frequency	433.92 MHz standard 868.35 MHz with ZENPRS or with BIXPR2	433.92 MHz standard 868.35 MHz with ZENPRS or with BIXPR2
433MHz/868MHz interchangeable receiver module	■	■
Mains power supply	230 Vac or 120 Vac - 50/60 Hz	230 Vac or 120 Vac - 50/60 Hz
Motor power supply	24 Vdc - 2 x 6 A	24 Vdc - 2 x 12 A
Accessories power supply	24 Vdc - 0.3 A (0.5 A max.)	24 Vdc - 0.5 A
Stroke control	virtual encoder	virtual encoder
Limit switch provision	■	■
Energy saving		<1 W on standby
Operating temperature	-20°C ÷ +55°C in standard conditions -35°C ÷ +55°C with NIO enabled	-20°C ÷ +55°C in standard conditions -35°C ÷ +55°C with NIO enabled
Control panel protection level	IP55	IP55
Control panel dimensions (mm)	187x261x105	238x357x120
INPUTS		
Opening control	shared with step-by-step control, selected via display	■
Partial opening control	■	■
Close control	shared with emergency stop, which can be selected from the display	■
Stop control	■ via radio or shared with partial opening control, which can be selected from the display	■
Step-by-step control	■	■
Hold-to-run control	■ selected via display	■
Automatic closing contact management	shared with partial opening control, selected via display	■
OUTPUTS		
Flashing light	24 Vdc	24 Vdc
Electrically operated lock	12 Vdc / 15 W	12 Vdc / 15 W
Gate-open warning light (ON/OFF)	■ shared with electrically operated lock or flashing light	■
Gate-open warning light with proportional blink rate	■ shared with electrically operated lock or flashing light	■
Courtesy light	■ shared with electrically operated lock or flashing light	■ shared with electrically operated lock or flashing light
PROGRAMMABLE FUNCTIONS		
Configuration of programmable functions	display and navigation keys	display and navigation keys
Force adjustment	electronic	electronic
Speed	adjustable	adjustable
Soft Start/Soft Stop	adjustable	adjustable
Braking/Slowing down	adjustable	adjustable
Stop approach	adjustable	adjustable
Operation time	adjustable	adjustable
Automatic re-closing time	adjustable	adjustable
Integrated datalogging (counters and recent alarm history)	■ can be viewed on display	■ can be viewed on display and on a PC with Amigo SW
Extended datalogging with micro SD (in-depth records for every event)		■ can be viewed on a PC Amigo SW
FW update	■ using Amigo SW and USBPROG	■ using MicroSD or using Amigo SW and USBPROG
SAFETY AND PROTECTION FUNCTIONS		
Emergency stop	■	■
Safe closing (inversion)	■	■
Safety Test Facility (for automatic safety devices)	■	■
ODS - Obstacle Detection System (causes the gate to stop or to reverse movement when an obstacle is detected)	■	■
NIO - Antifreeze system	■	■
OPTIONAL ACCESSORIES		
Batteries	■ with SBU	■ with SBU
Possibility of integrated batteries in the control panel		■
Stand-alone solar-powered installation	■ with SBU	■ with SBU
Hybrid solar-powered installation		■ with SBU
8.2 KΩ-resistance safety edge	■ with accessory	■ with accessory
Magnetic loop detector	■ with LAB9	■ with LAB9

Ditec FACIL

Automation for swing gates up to 2.3 - 5 m wide wing



Ditec FACIL is available in two irreversible versions: one with a built-in control unit and one without a control unit.

The **ABS casing** offers a greater resistance to atmospheric agents.

The shape of the articulated arm and the way it is attached to the casing have been designed to avoid any shearing problems.

The automation system is fitted with **adjustable open-close mechanical stops**.

Irreversible electromechanical actuators for up to 2.3 m wing

Article Code	Description of Article
NAFACIL3H	Irreversible electromechanical actuator, for intensive use, 24 Vdc motor, for up to 2.3 m wing
NAFACIL3EH	Irreversible electromechanical actuator for intensive use, 24 Vdc motor, for wings up to 2.3 m, complete with control panel and 433 MHz radio

DO IT - Set for double swing gate up to 2.3 m + 2.3 m

Content: 1 FACIL3EH actuator with built-in control panel and radio receiver + 1 FACIL3H actuator + 2 rolling code remote control 2-Ch (1xZEN2 + 1xZEN2W) + 1 pair of LIN2 photocells + 1 FL24 flashing light complete with aerial and 5 m long coaxial cable + E409B warning panel

Article Code	Description of Article
NADOITFCL	Complete set for 24 Vdc with a 433 MHz radio

Simplified DO IT - Set for double swing gate up to 2.3 m + 2.3 m

Content: 1 FACIL 3EH actuator with built in control panel and radio receiver + 1 FACIL3H actuator + 2 rolling code remote control 2Ch (1xZEN2 + 1xZEN2W) + 1 pair of LIN2 photocells + 1 E409B warning panel

Article Code	Description of Article
NADOITFCLS	Set 24 V DC with 433 MHz radio

Electronic panels

Article Code	Description of Article
NALCU30H-NALCU30HJ*	For one or two 24 Vdc / 2 x 6 A max motors with a 433 MHz radio
NALCU40H-NALCU40HJ*	For one or two 24 Vdc / 2 x 12 A max motors with a 433 MHz radio

*J version for 120 Vac power supply

Specific accessories

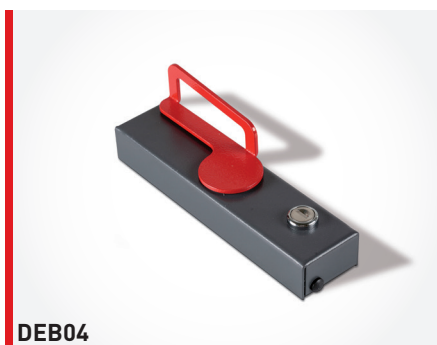
Article Code	Description of Article
NAFACILBD	Straight arm
NABOXFC1	Limit switch unit
NADEB04	Key-operated handle with 5 m long cord, for remote release system



FACILBD

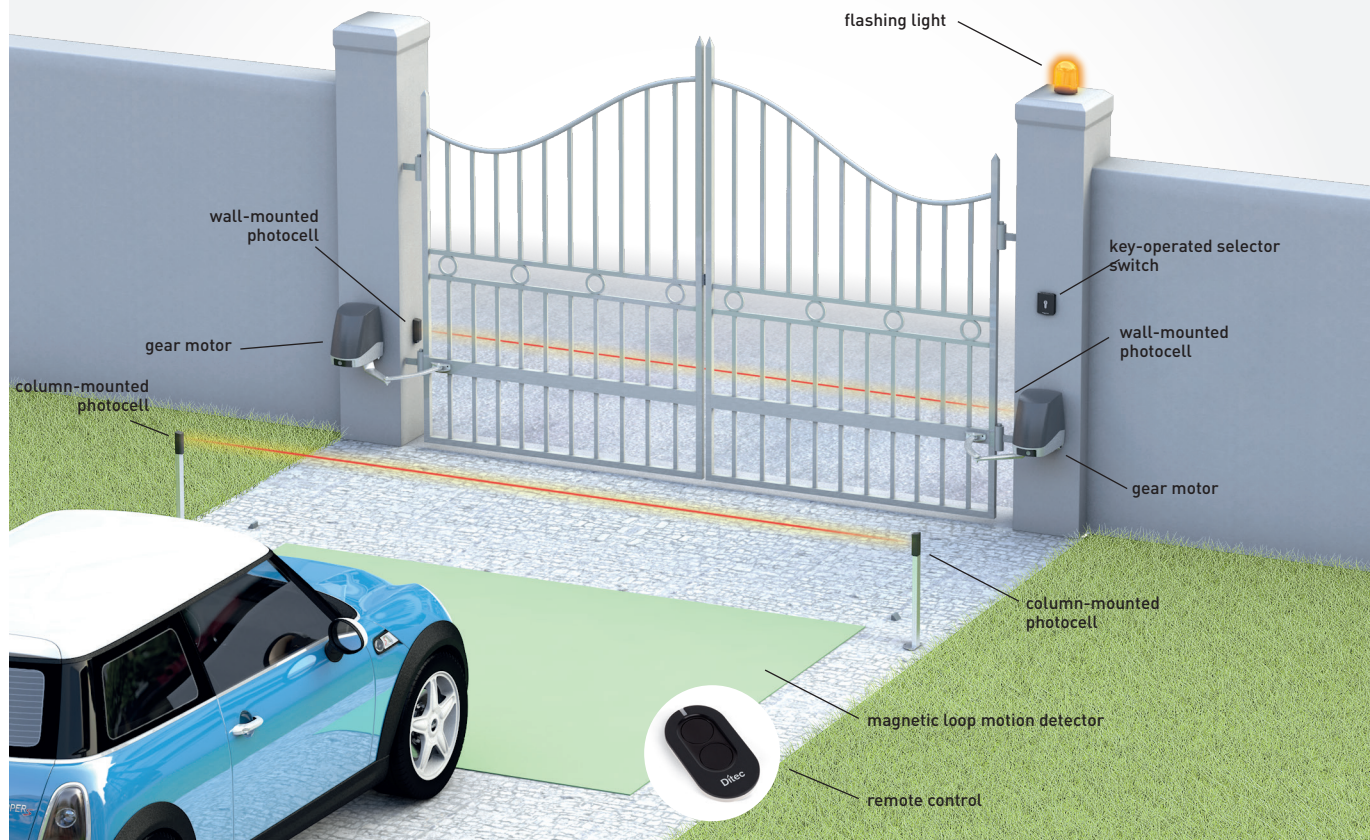


BOXFC1



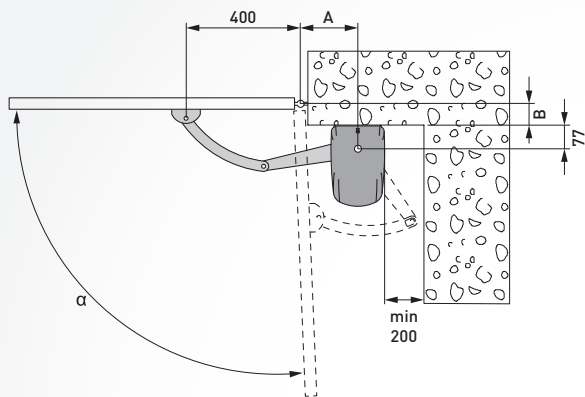
DEB04

Ditec FACIL - Typical configuration



The automation system can be completed with Ditec command, control and safety devices.
 ■ radio controls > page 86 ■ switches > page 92 ■ photocells > page 98 ■ flashing lights > page 100 ■ safety edges > page 101

Installation measurements

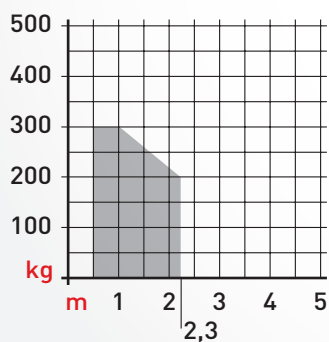


		A (mm)								
		120	130	140	150	160	170	180	190	200
B (mm)	0	90°	90°	95°	95°	100°	100°	105°	105°	110°
	50	90°	90°	95°	95°	95°	95°	95°	95°	95°
	100	90°	90°	90°	90°	90°	90°	90°	90°	/
	150	90°	90°	90°	90°	90°	90°	90°	/	/
	200	90°	90°	90°	90°	90°	/	/	/	/

Dimensions



Operation Limits



AUTOMATION WITH ARM FOR SWING GATES

Ditec ARC



Ditec ARC is the articulated arm automation system suitable for large pillars that may even be out-of-plumb.

Safe: The 24 Vdc motor with a virtual encoder provides constant adjustment of the force of impact and immediate detection of obstructions.

Sturdy: suitable for gates with wing up to 5 m wide or weighing up to 500 kg.

Versatile: the automation system is suitable for opening to an angle of up to 130°, it has an optional remote-operated release system and an optional plate for lateral installation.

SAFE



ROBUST



VERSATILE



Product range

For wing up to 2.5 m

Ditec ARC BH

For wing up to 5 m

Ditec ARC 1BH

Technical specifications

Description	ARC BH	ARC 1BH
Electromechanical actuator	irreversible for up to 2.5 m wide wing	irreversible for up to 5 m wide wing
Stroke control	rotary limit switch (optional)	rotary limit switch (optional)
Maximum capacity	200 kg x 2 m 150 kg x 2.5 m	500 kg x 3 m 250 kg x 5 m
Service index	4 - intensive	4 - intensive
Intermittent operation	S2 = 30 min S3 = 50%	S2 = 30 min S3 = 50%
Power absorption	24 Vdc	24 Vdc
Power input	3 A	12 A
Torque	150 Nm	300 Nm
Opening time	12÷100 s/90°	09÷50 s/90°
Actuator maximum opening	130°	130°
Release system for manual opening	key-operated	key-operated
Operating temperature	-20°C ÷ +55°C [-35°C ÷ +55°C with NIO enabled]	-20°C ÷ +55°C [-35°C ÷ +55°C with NIO enabled]
Protection level	IP 54	IP 54
Product dimensions (mm)	374x130x150	374x130x150
Control panel	LCU30H - LCU30HJ* LCU40H - LCU40HJ*	LCU40H - LCU40HJ*

*J version 120 Vac power supply

	ARC BH	ARC BH, ARC 1BH
TECHNICAL FEATURES		
Control panel	LCU30H for 1 or 2 24 Vdc motors with built-in radio	LCU40H for 1 or 2 24 Vdc motors with built-in radio
Radio frequency	433.92 MHz standard 868.35 MHz with ZENPRS or with BIXPR2	433.92 MHz standard 868.35 MHz with ZENPRS or with BIXPR2
433MHz/868MHz interchangeable receiver module	■	■
Number of motors	1 or 2	1 or 2
Mains power supply	230 Vac or 120 Vac - 50/60 Hz	230 Vac or 120 Vac - 50/60 Hz
Motor power supply	24 Vdc - 2 x 6 A	24 Vdc - 2 x 12 A
Accessories power supply	24 Vdc - 0.3 A (0.5 A max.)	24 Vdc - 0.5 A
Stroke control	virtual encoder	virtual encoder
Limit switch provision	■	■
Energy saving		<1 W on standby
Operating temperature	-20°C ÷ +55°C in standard conditions (-35°C ÷ +55°C with NIO enabled)	
Control panel protection level	IP55	IP55
Control panel dimensions (mm)	187x261x105	238x357x120
INPUTS		
Opening control	shared with step-by-step control, selected via display	■
Partial opening control	■	■
Close control	shared with emergency stop, which can be selected from the display	■
Stop control	■ via radio or shared with partial opening control, which can be selected from the display	■
Step-by-step control	■	■
Hold-to-run control	■ selected via display	■
Automatic closing contact management	shared with partial opening control, selected via display	■
OUTPUTS		
Flashing light	24 Vdc	24 Vdc
Electrically operated lock	12 Vdc / 15 W	12 Vdc / 15 W
Gate-open warning light (ON/OFF)	■ shared with electrically operated lock or flashing light	■
Gate-open warning light with proportional blink rate	■ shared with electrically operated lock or flashing light	■
Courtesy light	■ shared with electrically operated lock or flashing light	■ shared with electrically operated lock or flashing light
PROGRAMMABLE FUNCTIONS		
Configuration of programmable functions	display and navigation keys	display and navigation keys
Force adjustment	electronic	electronic
Speed	adjustable	adjustable
Soft Start/Soft Stop	adjustable	adjustable
Braking/Slowing down	adjustable	adjustable
Stop approach	adjustable	adjustable
Operation time	adjustable	adjustable
Automatic re-closing time	adjustable	adjustable
Integrated datalogging (counters and recent alarm history)	■ can be viewed on display	■ can be viewed on display and on a PC with Amigo SW
Extended datalogging with micro SD (in-depth records for every event)		■ can be viewed on a PC Amigo SW
FW update	■ using Amigo SW and USBPROG	■ using MicroSD or using Amigo SW and USBPROG
SAFETY AND PROTECTION FUNCTIONS		
Emergency stop	■	■
Safe closing (inversion)	■	■
Safety Test Facility (for automatic safety devices)	■	■
ODS – Obstacle Detection System (causes the gate to stop or to reverse movement when an obstacle is detected)	■	■
NIO - Antifreeze system	■	■
OPTIONAL ACCESSORIES		
Batteries	■ with SBU	■ with SBU
Possibility of integrated batteries in the control panel	■	■
Stand-alone solar-powered installation	■ with SBU	■ with SBU
Hybrid solar-powered installation	■ with SBU	■ with SBU
8.2 KΩ-resistance safety edge	■ with accessory	■ with accessory
Magnetic loop detector	■ with LAB9	■ with LAB9

Ditec ARC

Automation for swing gates up to 5 m wide wing



Ditec ARC is available in two versions depending on the length of the wing. Thanks to its virtual encoder control units it is possible to achieve accurate **speed setting** with the possibility to configure slowdowns and startups, avoiding mechanical stress during closing or opening. In the event of a temporary power outage, there is the possibility to connect to **batteries**, to guarantee continued operation and enable the system a large number of operations while the electricity supply is being restored.

Irreversible electromechanical actuators for 2.5 - 5 m wide wing

Article Code	Description of Article
NAARCBH	Irreversible electromechanical actuator, for intensive use, 24 Vdc motor, for up to 2.5 m wing
NAARC1BH	Irreversible electromechanical actuator, for intensive use, 24 Vdc motor, for up to 5 m wing

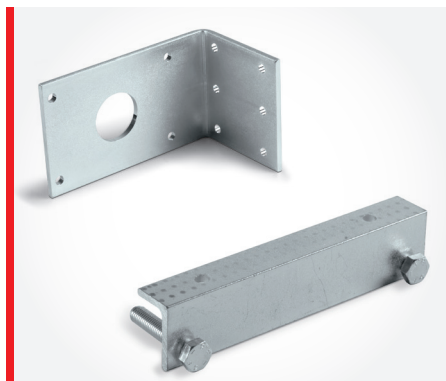
Control panels

Article Code	Description of Article
NALCU30H NALCU30HJ*	For one or two 24 Vdc / 2 x 6 A max motors with a 433 MHz radio
NALCU40H NALCU40HJ*	For one or two 24 Vdc / 2 x 12 A max motors with a 433 MHz radio

*J version 120 Vac power supply

Specific accessories

Article Code	Description of Article
NAARCP	Gear motor side fastening plate
NAARCFB	Adjustable stop
NABOXFC1	Limit switch unit
NADEB04	Key-operated handle with 5 m long cord, for remote-operated release system



ARCPL

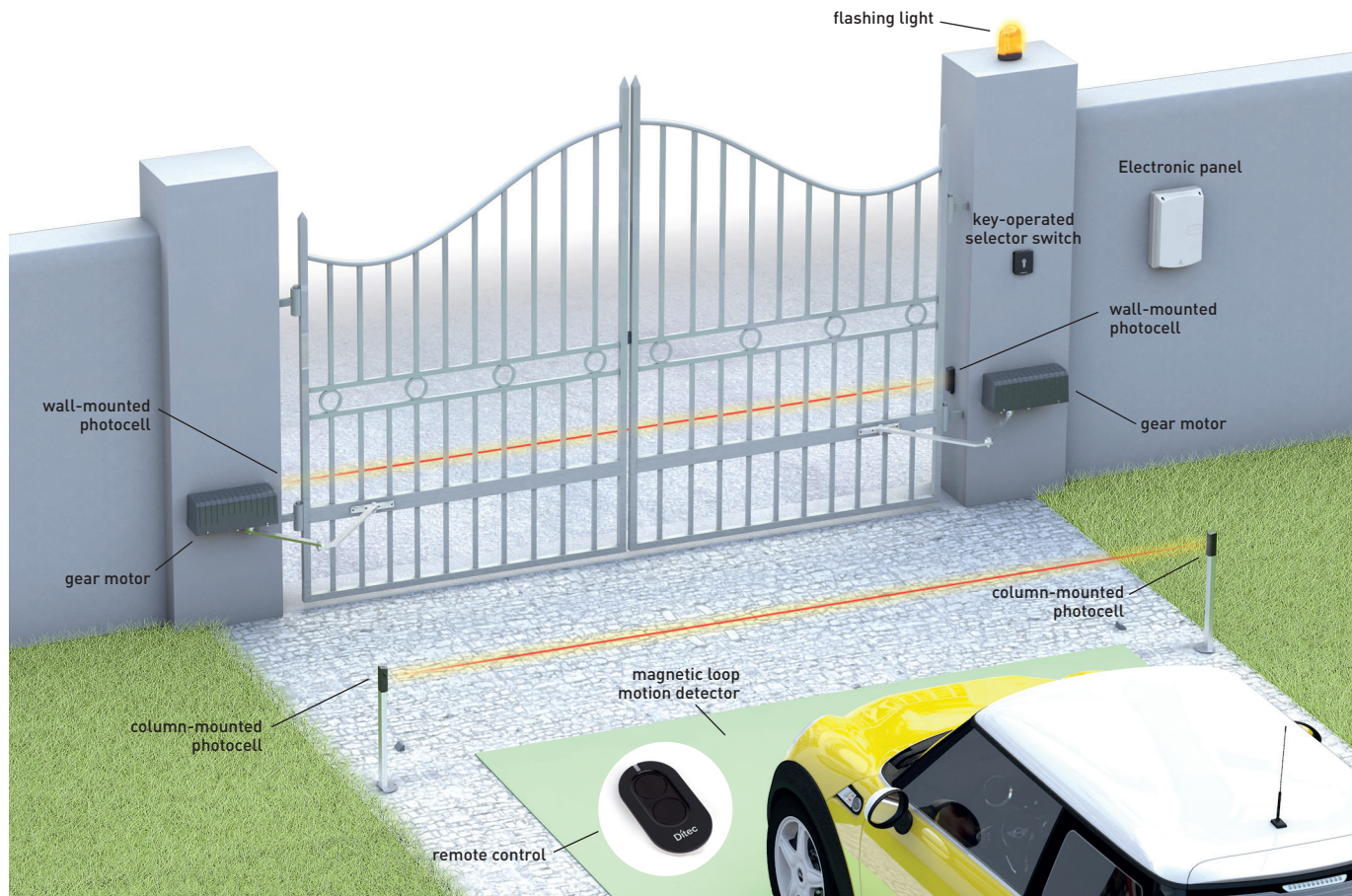


ARCFB BOXFC1



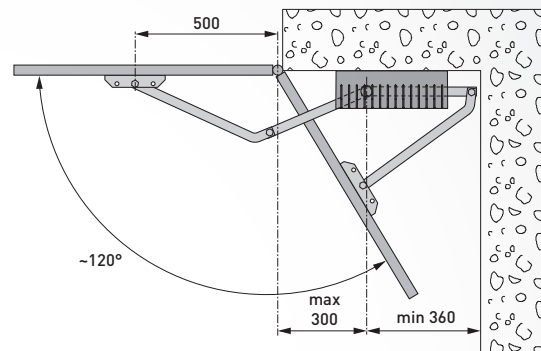
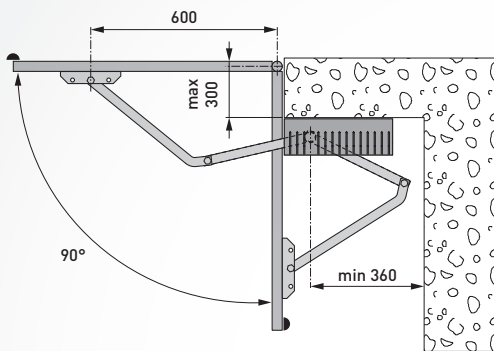
DEB04

Ditec ARC - Typical configuration

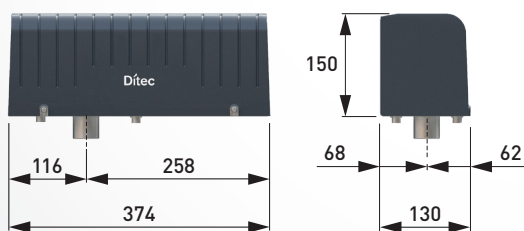


The automation system can be completed with Ditec command, control and safety devices.
 ■ radio controls > page 86 ■ switches > page 92 ■ photocells > page 98 ■ flashing lights > page 100 ■ safety edges > page 101

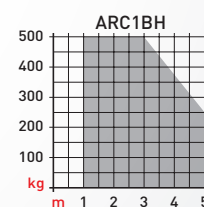
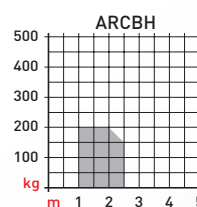
Installation measurements



Dimensions



Operation Limits



UNDERGROUND AUTOMATION SYSTEM FOR SWING GATES

Ditec CUBIC



Ditec CUBIC is the underground automation system for swing gates with wing up to 4 m or weighing up to 800 kg.

Complete line: a 230 Vac version and two 24 Vdc versions. A fast model for of up to 2 m wide wing which opens up in 6 seconds (at 90°) is also available. There are two types of foundation casing and lever systems which can handle wings up to 4 m and open up to 180°.

Safe: The 24 Volt DC motor with a virtual encoder allows for constant adjustment of the force of impact and immediate detection of obstructions. Limit switch as standard or optional magnetic limit switch.

Robust and reliable: the foundation casing is available with a protective cataphoresis treatment or in stainless steel.

COMPLETE
RANGE



SAFE



RELIABLE
AND STURDY



Product range

	For wing up to 2 m	For wing up to 2.5 m	For wing up to 3.5 m	For wing up to 4 m
110° opening	CUBIC6HV* with CUBIC6L linkage unit	CUBIC6HV* with CUBIC6LG linkage unit	CUBIC6-CUBIC6H with CUBIC6L linkage unit	CUBIC6-CUBIC6H with CUBIC6LG linkage unit
180° opening	For wing up to 2.3 m CUBIC6-CUBIC6H with CUBIC6TC linkage unit			

* rapid version

For more information see page 42

Technical specifications

Description	CUBIC 6	CUBIC 6H	CUBIC 6HV
Electromechanical actuator	irreversible for up to 4 m wide wing	irreversible for up to 4 m wide wing	irreversible for up to 2.5 m wide wing
Stroke control	magnetic limit switch (optional)	magnetic limit switch (optional)	magnetic limit switch (optional)
Maximum capacity	800 kg x 2 m 350 kg x 4 m	800 kg x 2 m 350 kg x 4 m	350 kg x 1 m 200 kg x 2.5 m
Service index	3 - frequent	4 - intensive	4 - intensive
Intermittent operation	S2 = 15 min S3 = 25%	S2 = 30 min S3 = 50%	S2 = 30 min S3 = 50%
Power supply	230 Vac - 50 Hz	24 Vdc	24 Vdc
Power input	1.5 A	12 A	12 A
Torque	340 Nm	340 Nm	220 Nm
Opening time	18 s/90°	12÷45 s/90° with CUBIC6L 15÷55 s/90° with CUBIC6LG	6÷25 s/90° with CUBIC6L 8÷30 s/90° with CUBIC6LG
Actuator maximum opening	110° or 180°	110° or 180°	110°
Release system for manual opening	key-operated	key-operated	key-operated
Operating temperature	-20°C ÷ +55°C [-35°C ÷ +55°C with NIO enabled]	-20°C ÷ +55°C [-35°C ÷ +55°C with NIO enabled]	-20°C ÷ +55°C [-35°C ÷ +55°C with NIO enabled]
Protection degree	IP 67	IP 67	IP 67
Control panel	LCA70 LCA80	LCU40H - LCU40HJ*	LCU40H - LCU40HJ*

*J version 120 Vac power supply

	CUBIC 6	CUBIC 6	CUBIC 6H-6HV
TECHNICAL FEATURES			
Control panel	LCA70 for 1 or 2 230 Vac motors with built-in radio 433.92 MHz as standard 868.35 MHz with ZENPRS or BIXPR2	LCA80 for 1 or 2 230 Vac motors 433,92 MHz with ZENRS or BIXR2 868.35 MHz with ZENPRS or BIXPR2	ref. LCU40H for 1 or 2 24 Vdc motors with built-in radio 433.92 MHz standard 868.35 MHz with ZENPRS or BIXPR2
Radio frequency 433MHz/868MHz interchangeable receiver module	■	■	■
Mains power supply	230 Vac - 50/60 Hz	230 Vac - 50/60 Hz	230 Vac - 50/60 Hz
Motor power supply	230 Vac; 2 x 2A; 1 x 4 A	230 Vac; 2 x 2A; 1 x 4 A	24 Vdc - 2 x 12 A
Accessories power supply	24 Vdc + 24 Vac - 0,3 A	24 Vdc + 24 Vac - 0,5 A	24 Vdc - 0.5 A
Stroke control	end stop detection and time calculation		virtual encoder
Limit switch provision		■	■
Energy saving		reduced consumption on standby*	<1 W on standby
Operating temperature	-20°C ÷ +55°C in standard conditions (-35°C ÷ +55°C with NIO enabled)		
Control panel protection level	IP55	IP55	IP55
Control panel dimensions (mm)	187x261x105	187x261x105	238x357x120
* Limitation of current absorbed by accessories on standby			
INPUTS			
Opening control	shared with step-by-step control, which can be selected via display	■	■
Partial opening control	■	■	■
Close control	shared with emergency stop, which can be selected from the display via radio or shared with partial opening control, which can be selected from the display	■	■
Stop control	■	■	■
Step-by-step control	■	■	■
Hold-to-run control	■	■	■
Automatic closing contact management	shared with partial opening control, selected via display	■	■
OUTPUTS			
Flashing light	230 Vac 25 W max	230 Vac 25 W max	24 Vdc
Electrically operated lock	12 Vac 15 W max	12 Vac 15 W max	12 Vdc / 15 W
24 Vdc number of configurable outputs	1	2	1
-gate-open warning light (ON/OFF)	■	■	■
-gate-open warning light with proportional blink rate	■	■	■
-courtesy light	■	■	yes, shared with electrically operated lock or flashing light
- 24 Vdc led flashing light	■	■	■
PROGRAMMABLE FUNCTIONS			
Configuration of programmable functions	display and navigation keys	display and navigation keys	display and navigation keys
Force adjustment	■(electronic)	■(electronic)	■(electronic)
Speed			adjustable
Approach speed	adjustable	adjustable	
Soft Start/Soft Stop			adjustable
Thrust on obstructions	adjustable	adjustable	adjustable
Braking/Slowing down	adjustable	adjustable	adjustable
Stop approach	adjustable	adjustable	adjustable
Operation time	adjustable	adjustable	adjustable
Automatic re-closing time	adjustable	adjustable	adjustable
Compatibility with hydraulic motors	■	■	
Heavy traffic management	■	■	
Integrated datalogging (counters and recent alarm history)	■ visualizzabile su display	■ visualizzabile su display	■ can be viewed on the display and on a PC with Amigo SW
Extended datalogging with micro SD (in-depth records for every event)			■ can be viewed on a PC with Amigo SW
FW update	■ using Amigo SW and USBPROG	■ using Amigo SW and USBPROG	■ using MicroSD or using Amigo SW and USBPROG
SAFETY AND PROTECTION FUNCTIONS			
Emergency stop	■	■	■
Safe closing (inversion)	■	■	■
Safety Test Facility (for automatic safety devices)	■	■	■
ODS - Obstacle Detection System (causes the gate to stop or to reverse movement when an obstacle is detected)	■	■	■
NIO - Antifreeze system	■	■	■
OPTIONAL ACCESSORIES			
Batteries			■ with SBU
Provision for control-panel integrated batteries			■
Stand-alone solar-powered installation			■ with SBU
Hybrid solar-powered installation		■ during opening and closing (terminal connectors already integrated in the control panel)	■ with SBU
8.2 KΩ-resistance safety edge	■ with accessory		■ with accessory
Magnetic loop detector	■ with LAB9	■ with LAB9	■ with LAB9

Ditec CUBIC

Underground automation system for swing gates up to 4 m wide wing



Ditec CUBIC does not create any aesthetic disturbance: this automation system is ideal for main entrance prestige doors or gates in buildings of a certain or particular architectural value or historical relevance or wherever any interference with style, aesthetics, and elegance must be avoided. Simple and functional, this is an **underground system** made up of an underground foundation casing made of stainless steel with anti-rust treatment (cataphoresis), where one gear motor and a mechanical lever system are placed.

The gear motor and the lever systems (CUBIC6L / CUBIC6LG) can handle gate wing of various sizes and opening angle up to 110°. The chain operated linkage unit (CUBIC6TC) can handle an opening angle up to 180°.

Irreversible electromechanical actuators for wing up to 3.5 m with linkage unit for small foundation casing or wing up to 4 m with linkage unit for large foundation casing

Article Code	Description of Article
NACUBIC6	Irreversible electromechanical actuator, for frequent use, 230 Vac motor with built-in limit switch
NACUBIC6H	Irreversible electromechanical actuator, for intensive use, 24 Vdc motor with built-in limit switch

Fast and irreversible electromechanical actuators for wing up to 2 m with linkage unit for small foundation casing or wing up to 2.5 m with linkage unit for large foundation casing

Article Code	Description of Article
NACUBIC6HV	Fast, irreversible electromechanical actuator, for intensive use, 24 Vdc motor with built-in limit switch

Small foundation casings and linkage

Article Code	Description of Article
NADITCBC	1 CUBIC6C small foundation casing + 1 CUBIC6L linkage unit + 1 CUBIC6SBL lever-operated release system, for wing up to 3,5 m
NACUBIC6C	Small foundation casing with built-in cover
NACUBIC6CM	Small foundation casing with built-in stainless steel cover
NACUBIC6CY	Small stainless steel foundation casing with built-in stainless steel cover
NACUBIC6L	Linkage unit with 110° opening angle; the release system may be operated from both sides (with CUBIC6SBL lever or with CUBIC6SBD key)
NACUBIC6TC	Chain operated linkage unit for 180° opening angle

Large foundation casings and linkage

Article Code	Description of Article
NACUBIC6CG	Large foundation casing with built-in cover
NACUBIC6LG	Linkage unit with 110° opening angle, the release system may be operated from both side (with a CUBIC6SBL lever or with a CUBIC6SBD key), for a large foundation casing

DO IT - Set 230 Vac for double wing swing gates

Content: 2 CUBIC6 gear motors + 1 LCA70 control panel with built-in radio receiver + 1 pair of LIN2 photocells + 2 rolling code remote control 2-Ch (1xZEN2 + 1xZEN2W) + 1 FLM flashing light complete with aerial and 5 m long coaxial cable + E409B warning panel

Article Code	Description of Article
NADITCB230PL	Complete 230 Vac set with a 433 MHz radio - foundation casing, linkage unit and release system not included

Simplified DO IT - Set 230 Vac for double wing swing gates

Content: 2 CUBIC6 gear motors + 1 LCA70 control panel with built-in radio receiver + 1 pair of LIN2 photocells + 2 rolling code remote control 2-Ch (1xZEN2 + 1xZEN2W) + E409B warning panel

Article Code	Description of Article
NADITCB230PLS	Complete 230 Vac set with a 433 MHz radio - foundation casing, linkage unit and release system not included

DO IT - Set 24 Vdc for double wing swing gates

Content: 2 CUBIC6H gear motors + 1 LCU40H control panel with built-in radio receiver + 1 pair of LIN2 photocells + 2 rolling code remote control 2-Ch (1xZEN2 + 1xZEN2W) + 1 FL24 flashing light complete with aerial and 5 m long coaxial cable + E409B warning panel

Article Code	Description of Article
NADITCB24L	Complete 24 Vdc set with a 433 MHz radio - foundation casing, linkage unit and release system not included

Simplified DO IT - Set 24 Vdc for double wing swing gates

Content: 2 CUBIC6H gear motors + 1 LCU40H control panel with built-in radio receiver + 1 pair of LIN2 photocells + 2 rolling code remote control 2-Ch (1xZEN2 + 1xZEN2W) + E409B warning panel

Article Code	Description of Article
NADITCB24LS	Complete 24 Vdc set with a 433 MHz radio - foundation casing, linkage unit and release system not included

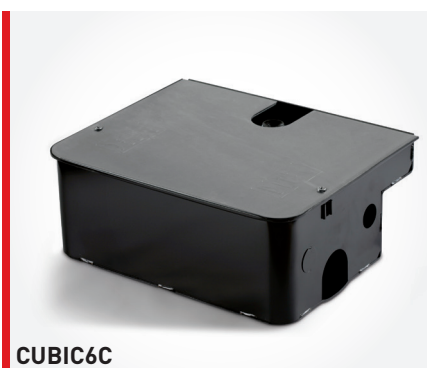
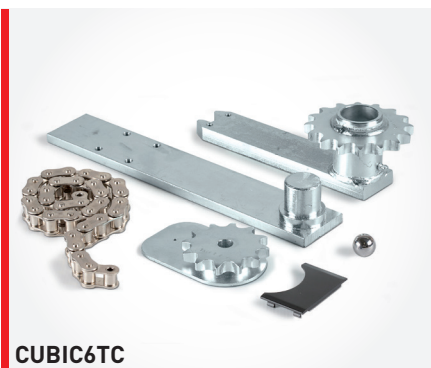
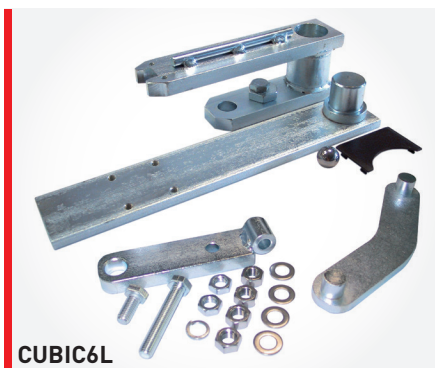
Control panels 230 Vca - 24 Vcc complete with plastic box

Article Code	Description of Article
NALCA70	For 1 or 2 230 Vac motors, 1 x 4 A, 2 x 2 A. 433 MHz radio receiver
NALCA80	For 1 or 2 230 Vac motors, 1 x 4 A, 2 x 2 A. 433 MHz or 868 MHz (not included) radio receiver
NALCU40H-NALCU40HJ*	For one or two 24 Vdc / 2 x 12 A max motors with a 433 MHz radio

*J version 120 Vac power supply

Specific accessories

Article Code	Description of Article
NACUBIC6FM	Magnetic limit switches
NACUBIC6SBL	Lever-operated release system
NACUBIC6SBD1	DIN key-operated release system

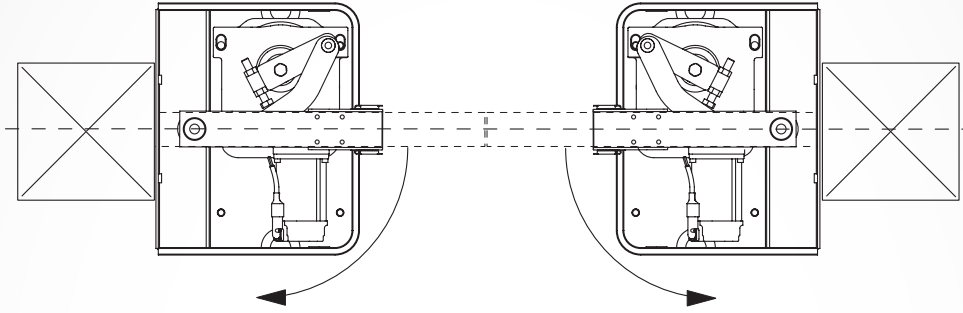


Guide for selecting the foundation casing and the linkage unit

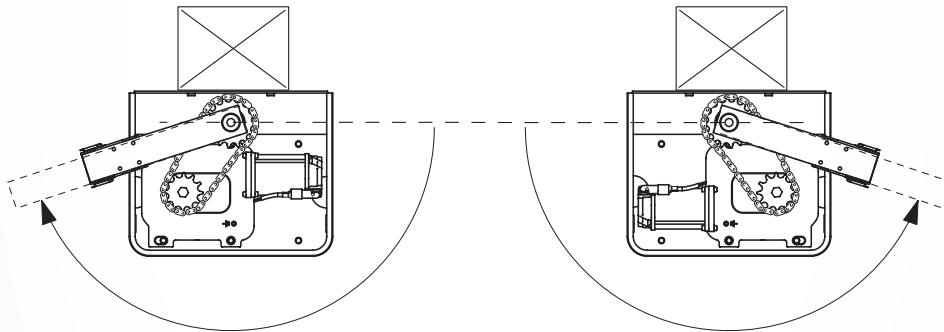
Motor	Foundation casing	Linkage unit	Max opening (m)
CUBIC6 CUBIC6H CUBIC6HV	Small foundation casing CUBIC6C CUBIC6CM CUBIC6CY	CUBIC6L	110°
		CUBIC6TC	180°
	Large foundation casing CUBIC6CG	CUBIC6LG	110°

Opening system

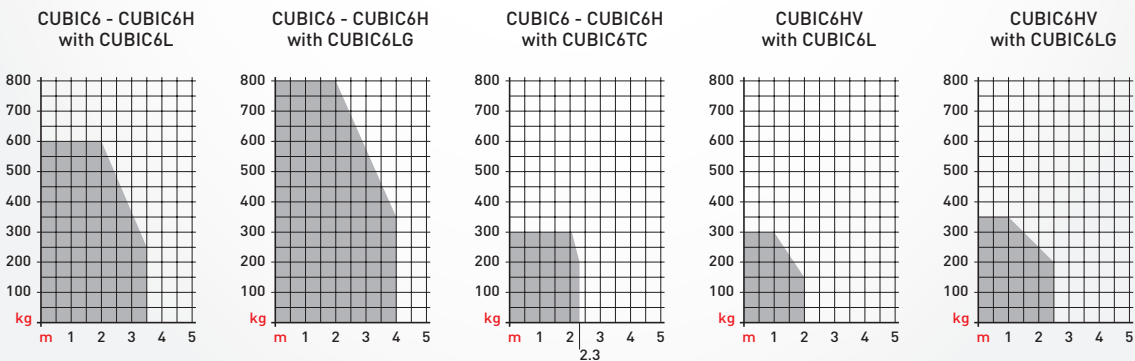
Maximum opening 110° with CUBIC6L and CUBIC6LG



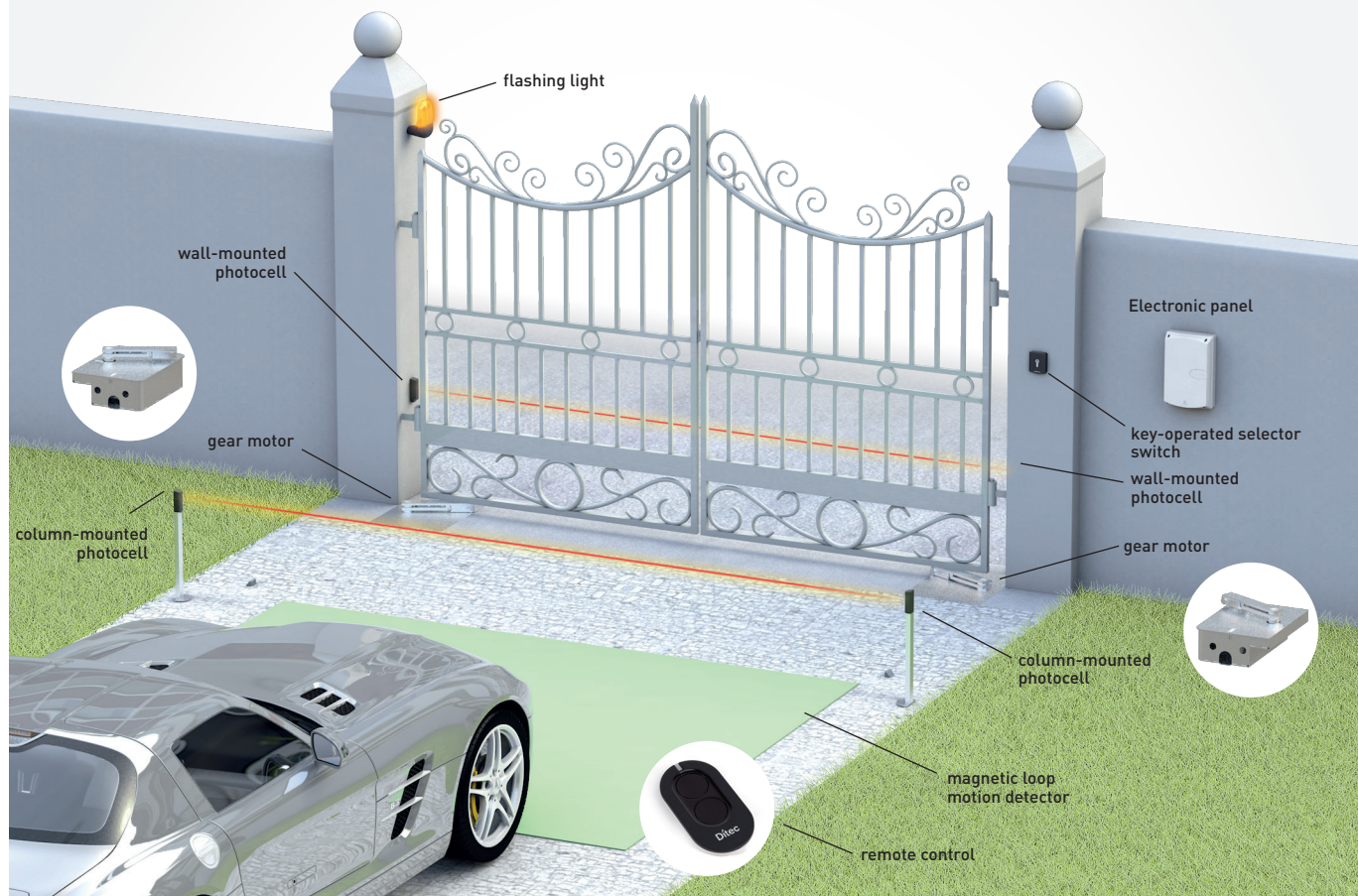
Maximum opening 180° with CUBIC6TC



Operation Limits

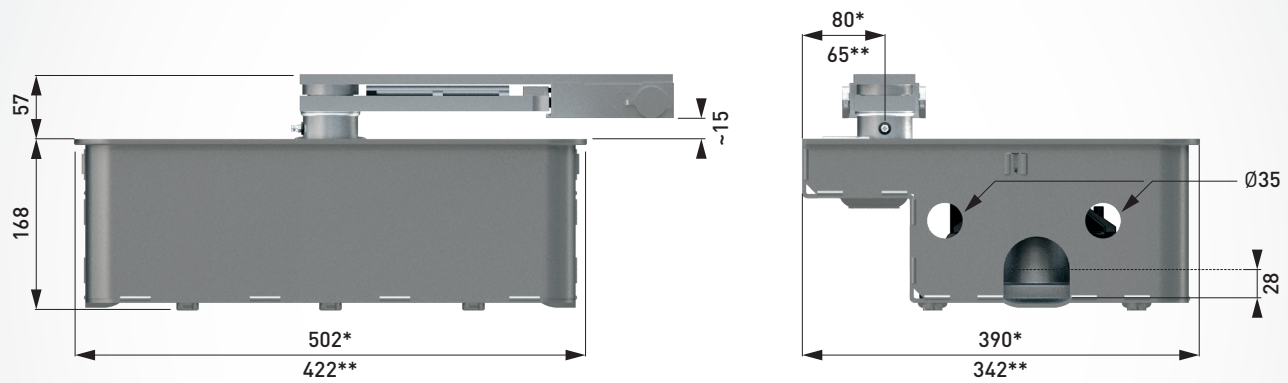


Ditec CUBIC 6 - Typical configuration



The automation system can be completed with Ditec command, control and safety devices.
 ■ radio controls > page 86 ■ switches > page 92 ■ photocells > page 98 ■ flashing lights > page 100 ■ safety edges > page 101

Dimensions



*Ditec CUBIC6CG

**Ditec CUBIC6C - CUBIC6CM - CUBIC6CY



Ditec

03

AUTOMATION SYSTEMS FOR GARAGE DOORS AND INDUSTRIAL PLANTS

AUTOMATION SYSTEMS FOR UP-AND-OVER DOORS

Ditec BOX

with counterweights up to 12 m²

AUTOMATION SYSTEMS FOR SECTIONAL DOORS

Ditec TOP

up to 210 kg weight and 17.3 m²

AUTOMATION FOR COUNTERWEIGHTED INDUSTRIAL DOORS

Ditec DOD 14

single-phase, up to 60 Nm

Ditec NRG

three-phase, up to 140 Nm

AUTOMATION FOR FOLDING DOORS

Ditec DOR

up to 500 Kg weight

AUTOMATION SYSTEMS FOR UP-AND-OVER DOORS WITH COUNTERWEIGHTS

Ditec BOX



Ditec BOX can move both up-and-over doors with counterweights with a standard curtain, and full-recess or articulated doors. Easy to install, **it automates doors up to 7 m² with a single operating unit and up to 12 m² with 2 motors in parallel.**

Safe: the 24 Vdc virtual-encoder technology enables constant electronic control of impact forces and immediate obstruction detection, ensuring that the operating unit stops or motion is reversed (if configured), moreover the possibility to regulate opening and closing.

Ready for use: the automation system is complete with courtesy lights, fastening base and pre-wired key-operated release system, built-in control panel with incorporated radio receiver and pre-assembled limit switch. Integrated pushbutton.

SAFE



READY
TO USE



Technical specifications

Description	BOX 3EH	Power input	8 A
Electromechanical actuator	for up-and-over doors with counterweight	Torque	300 Nm
Stroke control	encoder + rotary limit switch	Opening time	15-30 s
Maximum capacity	7 m ² (1 motor) 12 m ² (2 motors in parallel)	Release system for manual opening	lever/key
Service index	3 - frequent	Operating temperature	-20°C ÷ +55°C
Intermittent operation	S2 = 30 min S3 = 50%	Protection level	IP 40
Power absorption	24 Vdc	Product dimensions (mm)	660x100x120
		Control panel	E1HBOX (built-in)

Control panel functions

TECHNICAL SPECIFICATIONS		PROGRAMMABLE FUNCTIONS	
Control panel	ref. E1HBOX for 1 24 Vdc motor (or 2 in parallel) with built-in radio	Configuration of programmable functions	dip-switches and trimmers
Radio frequency	433.92 MHz standard 868.35 MHz with BIXPR2	Force adjustment	electronic
Mains power supply	230 Vac - 50/60 Hz	Speed	adjustable
Accessories power supply	24 Vdc / 0.3 A	Soft Start/Soft Stop	fixed
Stroke control	encoder	Operation time	adjustable
Limit switch provision	■	Automatic re-closing time	adjustable
Energy saving	reduced consumption on standby*	SAFETY AND PROTECTION FUNCTIONS	
Operating temperature	-20°C + 55°C in standard conditions	Emergency stop	■
Control panel dimensions (mm)	built-in	Safe closing (inversion)	■
* limitation of current absorbed by accessories on standby		ODS - Obstacle detection system (causes the gate to stop or to reverse movement when an obstruction is detected)	■
INPUTS		OPTIONAL ACCESSORIES	
Opening control	shared with step-by-step control, selected with dip-switch	Batteries	■ with SBU
Partial opening control	■ only by radio	Stand-alone solar-powered installation	■ with SBU
Close control	shared with emergency stop, which can be selected by setting a jumper	Magnetic loop detector	■ with LAB9
Stop control	■ only by radio		
Step-by-step control	shared with opening control, selected via dip-switch		
Hold-to-run control	■		
OUTPUTS			
Flashing light	24 Vdc		
Gate-open warning light with proportional blink rate	■		
Courtesy light	■ up to 100W		

Ditec BOX

Electromechanical automation systems fitted to curtain for up-and-over door with counterweights up to 12 m²



Rational: the automation system is designed to enable easy and quick mounting, avoiding any structural changes to the door. The built in control panel and the mounted limit switches make the product ready for installation.

Easy: a control panel that is simple and easy-to-program with dip switches and trimmers to adjust opening and closing speed, automatic closing time and thrust on obstructions.

Versatile: manual release by means of an internal lever or with a key from outside. An optional metal-cord system is also available to connect to the handle on the wing.

DO IT - Set for up-and-over doors with counterweights up to 7 m²

Contents: 1 BOX3EH gear motor complete with courtesy light, fastening base and key-operated release system, internally pre-cabled with E1HBOX control panel with built-in radio receiver and pre-fitted BOXFC1 limit switch + on-board opening pushbutton + 1 four channel ZEN4 rolling-code remote-control unit

Article Code	Description of Article
NADOITBXL	Complete set for 24 Vdc with a 433 MHz radio

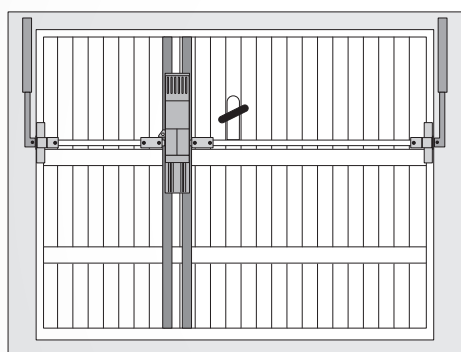
Additional actuator for up-and-over doors with counterweights up to 12 m²

Article Code	Description of Article
NABOX3H	Second 24 Vdc motor to add in parallel with DOITBXL to move bigger doors

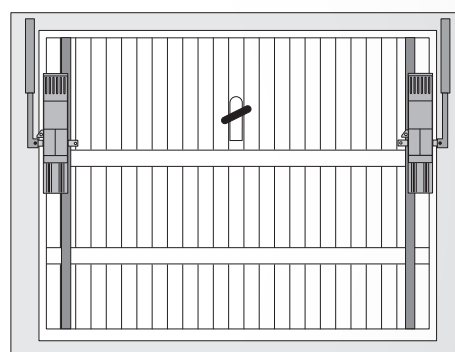
Specific accessories

Article Code	Description of Article
NABOXB2D	Pair of straight arms
NABOXB2C	Pair of curved arms
NABOXRCG	Set of transmission accessories for central mounting (max curtain width 3.4 m)
NABOXSL	Motor fastening base (length 2.5 m)
NABOXFC1	Limit switch unit
NABOXBUG	Grooved bush with dowel
NABOXSBC	Cord-release system for connection to handle

Example of installation



1 DOITBXL + 1 BOXB2D + 1 BOXRCG
1 DOITBXL + 1 BOXB2C + 1 BOXRCG



1 DOITBXL + 1 BOX3H + 1 BOXB2D
1 DOITBXL + 1 BOX3H + 1 BOXB2C



BOXB2D



BOXB2C



BOXRCG



BOXSL



BOXSBC

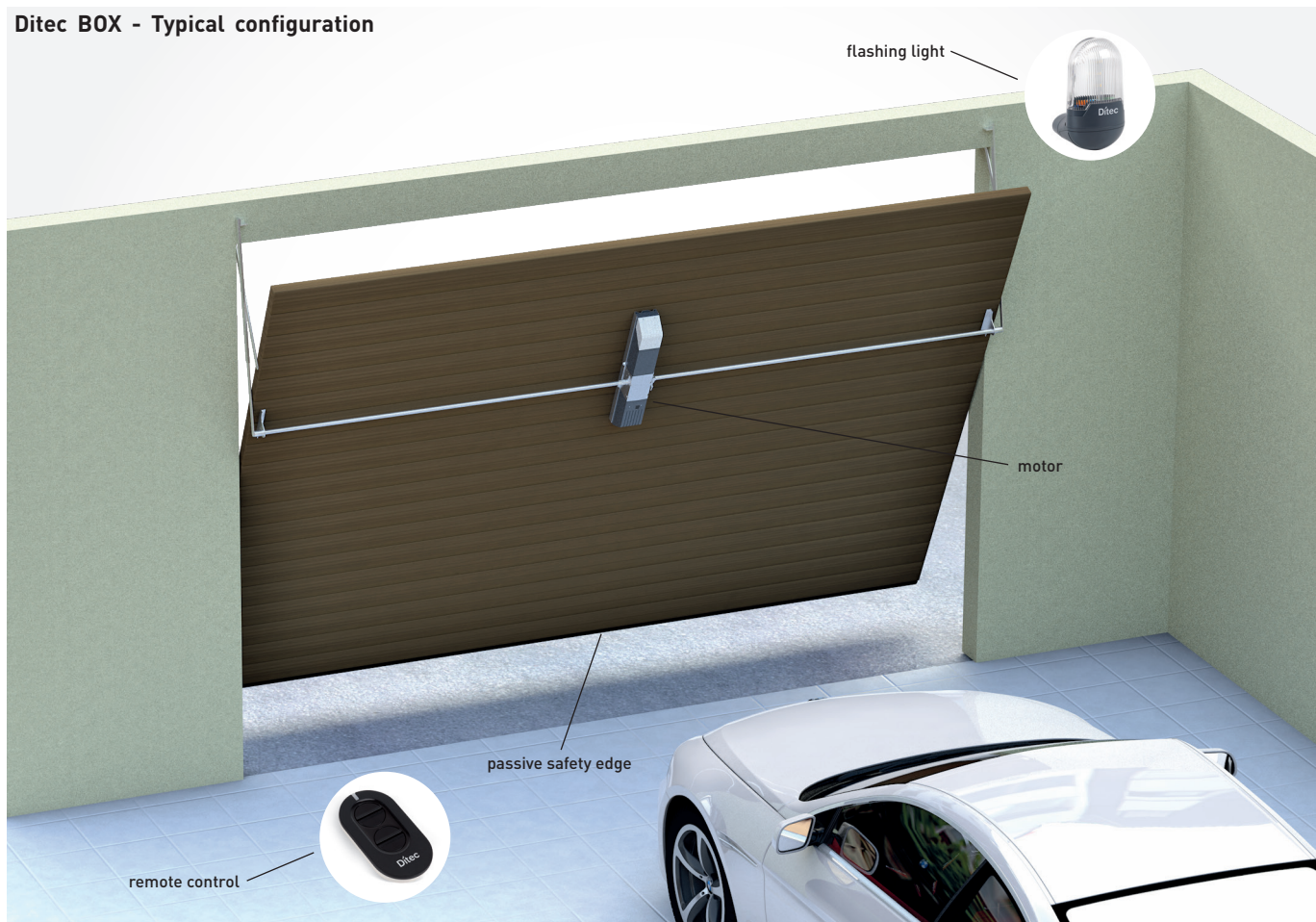


BOXFC1



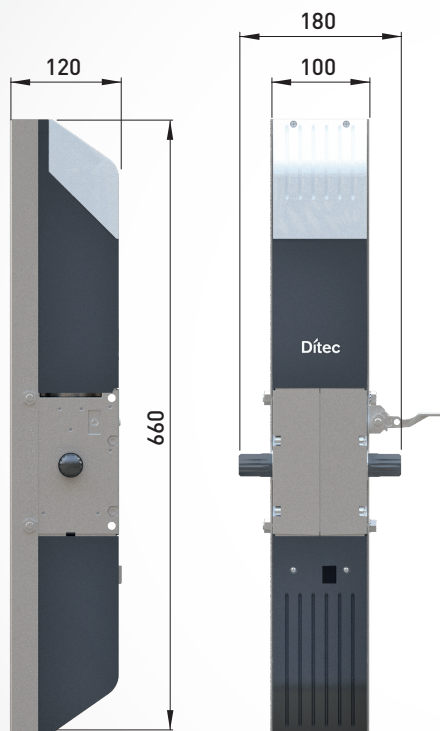
BOXBUG

Ditec BOX - Typical configuration

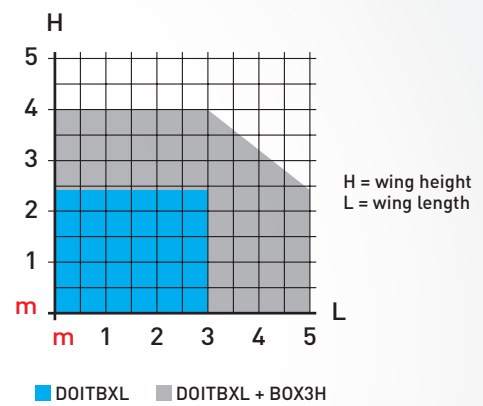


The automation system can be completed with Ditec command, control and safety devices.
 ■ radio controls > page 86 ■ switches > page 92 ■ photocells > page 98 ■ flashing lights > page 100 ■ safety edges > page 101

Dimensions



Operation Limits



Ditec TOP



The **Ditec TOP** line includes two 24 Vdc motors, a 600 N and a 1000 N version, that move doors weighing up to 210 kg with a surface area of more than 17 m².

Certified: compliant with applicable European standards.

Intelligent: Ditec TOP has a fast self-learning procedure that automatically records the current input profile, allowing the motor to self-regulate over time in case of increased friction and wear.

Safe: The 24 Vdc virtual-encoder technology enables constant electronic control of the impact forces and immediate obstacle detection, ensuring that the operating unit stops or motion is reversed (if configured).

CERTIFIED



INTELLIGENT



SAFE



Product range

Door weight up to 116 kg	Door weight up to 210 kg
Ditec TOP603H	Ditec TOP903H

Technical specifications

Description	TOP603H	TOP903H
Electromechanical actuator	for sectional garage doors	for sectional garage doors
Transmission system	belt	belt
Stroke control	encoder	encoder
Maximum capacity	9.5 m ²	17.3 m ²
Service index	3 - frequent	3 - frequent
Intermittent operation	S2 = 5 min S3 = 25%	S2 = 5 min S3 = 25%
Power absorption	230 Vac - 50/60 Hz	230 Vac - 50/60 Hz
Motor power supply	24 Vdc	24 Vdc
Torque / Thrust	600 N	1000 N
Power input	140 W	170 W
Opening time	0.21 m/s	0.21 m/s
Closing speed	0.14 m/s	0.14 m/s
Operating temperature	-20°C ÷ +50°C	-20°C ÷ +50°C
Protection level	IP 20	IP 20
Product dimensions (mm)	364x208x131	364x208x131
Noise level	≤ 69 dB(A)	≤ 69 dB(A)
Radio frequency	433.92 MHz	433.92 MHz
	Guide TOP803T3	Guide TOP803T4
Max. carriage stroke	2890 +/- 25 mm	3978 +/- 25 mm
Maximum height of door	2450 mm	3500 mm

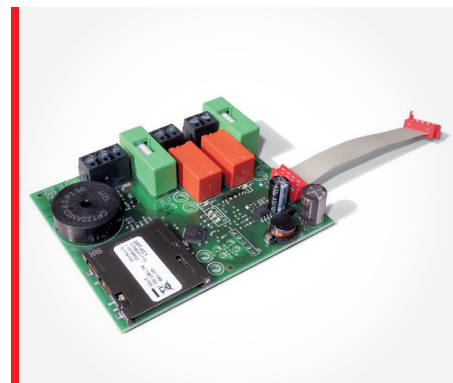
	TOP603H	TOP903H
TECHNICAL SPECIFICATIONS		
Control panel	built-in	built-in
Radio frequency	433 MHz as standard	433 MHz as standard
Mains power supply	230 Vac - 50-60 Hz	230 Vac - 50-60 Hz
Motor power supply	24 Vdc - 9.5 A	24 Vdc - 10.5 A
Accessories power supply	24 Vdc - 0.3 A max 2 s 24 Vdc - 0.08 A continuous	24 Vdc - 0.3 A max 2 s 24 Vdc - 0.08 A continuous
Operating temperature	-20°C ÷ +50°C in standard conditions	-20°C ÷ +50°C in standard conditions
Protection level	IP20	IP20
INPUTS		
Opening control	■	■
Partial opening control		■
Stop control	■	■
Step-by-step control	■	■
OUTPUTS		
Flashing light	230 Vac - 50-60 Hz*	230 Vac - 50-60 Hz*
Electrically operated lock	■ *	■
Courtesy light	built-in or additional courtesy light in parallel (max 60W)	built-in or additional courtesy light in parallel (max 60W)
PROGRAMMABLE FUNCTIONS		
Stroke control	encoder	encoder
Configuration of programmable functions	display and navigation keys	display and navigation keys
Opening and closing thrust	adjustable	adjustable
Speed	adjustable	adjustable
Soft start / Soft stop	■	■
Operation time	adjustable	adjustable
Automatic re-closing time	adjustable	adjustable
Cycles counter for maintenance scheduling	■	■
SAFETY AND PROTECTION FUNCTIONS		
Emergency stop	■	■
Safe closing (inversion)	■	■
Safety Test Facility (for automatic safety devices)	■	■
Automatic force adjustment during movement	■	■
ODS - Obstacle Detection System (causes the gate to stop or to reverse movement when an obstacle is detected)	■	■
OPTIONAL ACCESSORIES		
8.2 K Ω -resistance safety edge	■ *	■ *
* with TOP905AC		



TOP



TOP803T3 - TOP803T4



TOP905AC

Ditec TOP

Automation for sectional doors up to 210 kg and 17.3 m²



Ditec TOP is the automation system for safe and reliable sectional doors.
Simplified installation: assembly guide for fast and reliable assembly; self-learning procedure for configuring parameters in just two steps; operating-unit orientation can be adjusted through 90° for installation in small spaces.
Evolutionary: the control unit counts the number of opening/closing cycles and the courtesy light signals when the maintenance threshold has been reached.
Fast: reduced waiting time during opening and closing.

Drive system for counterweighted sectional doors

Contents: 1 drive unit with built-in control panel and radio, courtesy light + 2 four function - four-channel ZEN4 rolling code remote controls

Article Code	Description of Article
NATOP603H	Drive unit for frequent use for counterweighted sectional doors with a surface area up to 9.5 m ² , 600 N thrust 24 Vdc motor with belt drive
NATOP903H	Drive unit for frequent use for counterweighted sectional doors with a surface area up to 17.3 m ² , 1000 N thrust 24 Vdc motor with belt drive

Note: Tracks to be ordered separately (codes TOP803T3 and TOP803T4)

Tracks

Article Code	Description of Article
NATOP803T3	Belt transmission system with 3 m steel guide
NATOP803T4	Belt transmission system with 4 m steel guide

Specific accessories

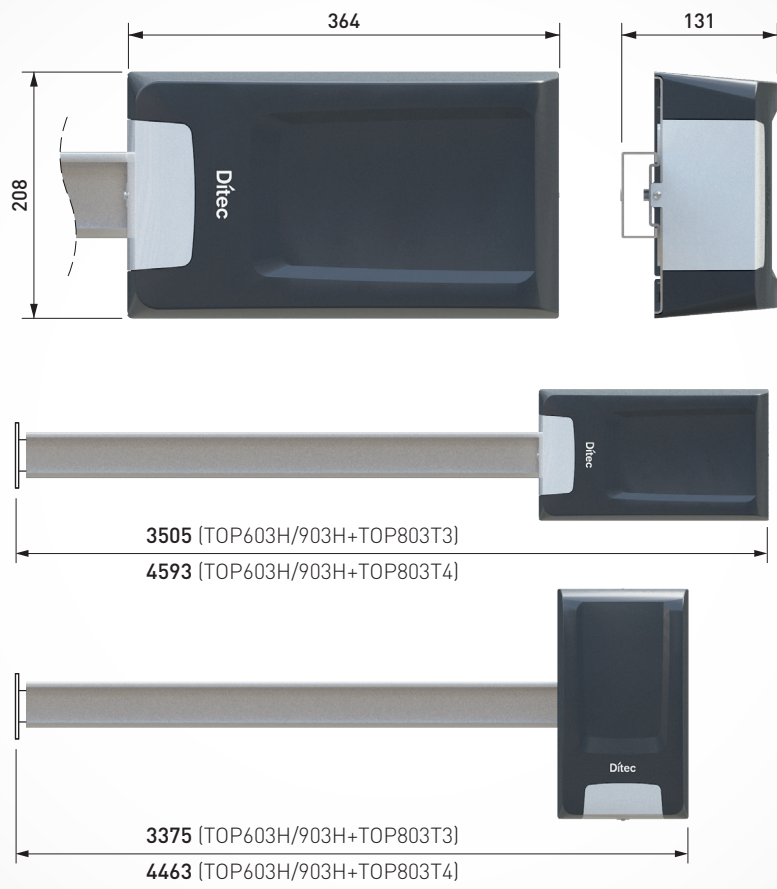
Article Code	Description of Article
NATOP905CAB1	Cable (10 m) pre-wired with RJ11 connector for management of the stop function
NATOP905CAB2	Cable (10 m) pre-wired with RJ11 connector for the photocell-operator connection
NATOP905CAB3	Cable (13 m) for the photocell-photocell connection
NATOP905CAB4	Cable (10 m) pre-wired with RJ11 connector for the management of an NO contact
NATOP905AC	Auxiliary card for the connection of accessories (e.g. flashing light)
NATOPSB	Adapter for up-and-over doors with counterweights
NAASB1	Kit for external cord-operated release system with lock (L = 900 mm)

Ditec TOP - Typical configuration



The automation system can be completed with Ditec command, control and safety devices.
 ■ radio controls > page 86 ■ switches > page 92 ■ photocells > page 98 ■ flashing lights > page 100 ■ safety edges > page 101

Dimensions



AUTOMATION FOR COUNTERWEIGHTED INDUSTRIAL SECTIONAL DOORS

Ditec DOD



Ditec DOD is the lateral automation system for industrial sectional doors.

Powerful: optimal performance even in unfavourable conditions, thanks to greater dynamic thrust during the initial phase of the operation.

Easy to install: reduced and compact dimensions make this automation system suitable even for deployment in a limited space.

Versatile: the motor is protected by a thermal probe and equipped with built-in electric brake and limit switch; manual reopening is carried out with a chain or a crank. The automation system can be set up on the drive shaft or with pinion and chain transmission.

POWERFUL



EASY TO
INSTALL



VERSATILE



Product range

Description	DOD 14
Torque	60 Nm
Motor	Single-phase
Drive shaft rpm	22 RPM

Technical specifications

Description	DOD 14
Electromechanical actuator	for sectional industrial doors
Stroke control	rotary limit switch
Service index	4 - intensive
Intermittent operation	S2 = 30 min S3 = 50%
Power absorption	230 Vac - 50 Hz
Power input	3 A
Torque / Thrust	60 Nm
Drive shaft rpm	22 RPM
Release system for manual opening	with chain with crank
Operating temperature	-20°C ÷ +55°C [-35°C ÷ +55°C with NIO enabled]
Protection level	IP 40
Product dimensions (mm)	135x264x350
Control panel	E1A

Description	DOD 14
TECHNICAL SPECIFICATIONS	
Control panel	ref. E1A for one 230 Vac motor with built-in radio
Radio frequency	433.92 MHz standard 868.35 MHz with BIXPR2
Mains power supply	230 Vac / 50 Hz
Motor power supply	230 Vac / 5 A
Accessories power supply	24 Vdc / 0.5 A
Limit switch provision	■
Operating temperature	-20°C ÷ +55°C in standard conditions -35°C ÷ +55°C with NIO enabled
Control panel protection level	IP55
Control panel dimensions (mm)	187x261x105
INPUTS	
Opening control	shared with step-by-step control, selected with dip-switch
Partial opening control	■ with radio only
Close control	shared with emergency stop, which can be selected by setting a jumper
Stop control	■
Step-by-step control	shared with opening control, selected via dip-switch
Hold-to-run control	■
Automatic closing contact management	
OUTPUTS	
Flashing light	230 Vac
Gate-open warning light (ON/OFF)	■ from limit switch
Courtesy light	■ up to 60 W
PROGRAMMABLE FUNCTIONS	
Configuration of programmable functions	dip-switches and trimmers
Force adjustment	transformer with electronic selection
Operation time	adjustable
Automatic re-closing time	adjustable
SAFETY AND PROTECTION FUNCTIONS	
Emergency stop	■
Safe closing (inversion)	■
Safety Test Facility (for automatic safety devices)	■
ODS – Obstacle Detection System (causes the gate to stop or to reverse movement when an obstacle is detected)	■
NIO - Antifreeze system	■
OPTIONAL ACCESSORIES	
8.2 KΩ-resistance safety edge	■ with accessory
Magnetic loop detector	■ with LAB9

Ditec DOD 14

Automation for counterweighted industrial sectional doors



Mounted on the drive shaft or driven by chain and pinion, **Ditec DOD** is designed to adapt to any, even pre-existing, installation.

The **small and compact dimensions** of the gear motor make it suitable even for applications where space is restricted.

The motor is protected by a **thermal probe** and equipped with incorporated adjustable electric brake and rotary limit switch.

It is also available with manual release by chain or rod.

Irreversible electromechanical actuators

Article Code	Description of Article
NADOD14	22 RPM electromechanical actuator for intensive use, motor release system on board, 230 Vac motor
NADOD14PS	22 RPM Electromechanical actuator, for intensive use, motor release system on board, 230 Vac motor, complete with hold-to run switch and cabling with socket

DO IT - Sets for counterweighted sectional doors and sliding industrial doors

Contents: 1 DOD14 cabled actuator, complete with socket, motor-power supply panel + 1 E1A electronic control panel complete with built-in radio receiver + 1 four-channel ZEN4 rolling-code remote control complete with wall bracket + 1 PT3 control pushbutton panel fitted on the control panel

Article Code	Description of Article
NADOITDD1	Complete 230 Vac set with a 433 MHz radio

Control panels

Article Code	Description of Article
NAE1A	For 1 230 Vac / 5 A motor with built-in 433 MHz radio

Specific accessories

Article Code	Description of Article
NADODRIN1	Chain transmission kit
NADODT	Drive shaft with Z24 pinion*
NACAT1	1/2" x 5/16" chain - 5 m sections (price per metre)
NACATG	1/2" x 5/16" chain coupling
NADODSBV	Manual re-opening device for rod (not included)
NAMN3	Manual operation rod H = 3000 mm
NADODSBC	Manual re-opening device featuring chain

*for further solutions, using the codes NRGCTR1, NRGCTR15 e NRGCTR2, please consult our Technical Sales Department

The automation system can be completed with Ditec command, control and safety devices.
radio controls > page 86 ■ switches > page 92 ■ photocells > page 98 ■ flashing lights > page 100 ■ safety edges > page 101



DODSBV



DODSBC

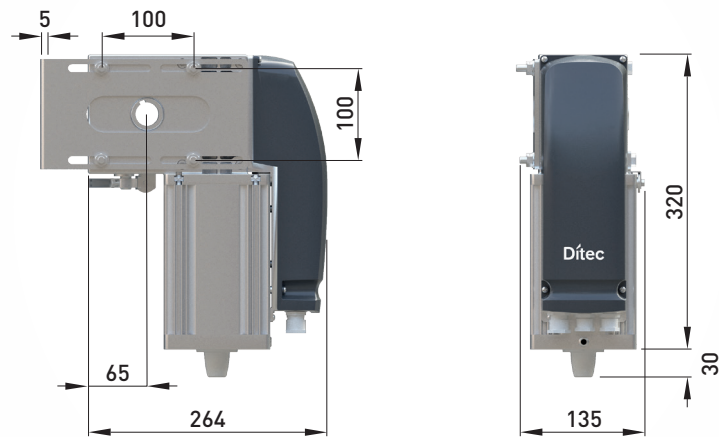


DOD14PS

Ditec DOD - Typical configuration

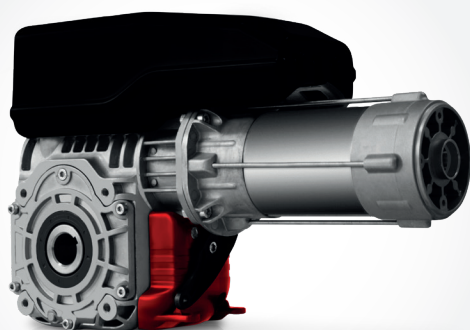


Dimensions



AUTOMATION FOR COUNTERWEIGHTED INDUSTRIAL SECTIONAL DOORS

Ditec NRG



Ditec NRG is a range of three phase non-reversible automation systems for large industrial and commercial sectional doors weighing up to 650 Kg. The automation system may be installed with drive transmitted directly onto the shaft of the door or via a transmission chain.

Powerful: 400 Vac three phase versions ensure increased gear motor starting torque.

A complete range: a choice of three 90 Nm versions and one 140 Nm version, with 6-cam mechanical limit switches or absolute encoder. Also available with chain for emergency manual operation and quick release mechanism.

Absolute encoder: precisely adjustable top and bottom travel limit positions from electrical panel without having to access the motor.

POWERFUL



COMPLETE
RANGE



ABSOLUTE
ENCODER




Product range

Description	NRG90TXF	NRG90TXE	NRG90TRE	NRG140TXE
Torque	90 Nm	90 Nm	90 Nm	140 Nm
Motor	Three-phase	Three-phase	Three-phase	Three-phase
Drive shaft rpm	21 RPM	21 RPM	21 RPM	18 RPM

Technical specifications

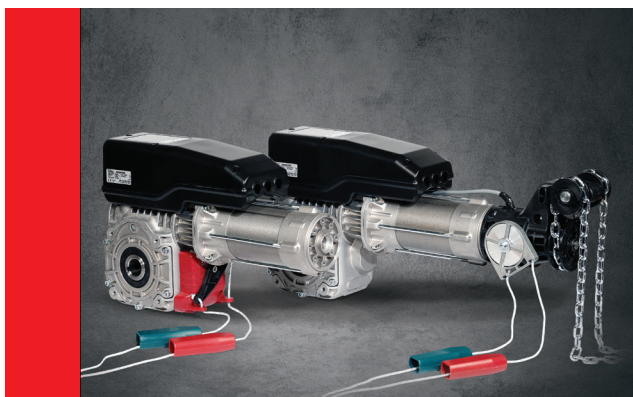
Description	NRG90TXF	NRG90TXE	NRG90TRE	NRG140TXE
Electromechanical actuator	for sectional doors	for sectional doors	for sectional doors	for sectional doors
Stroke control	mechanical cam limit switch	absolute encoder	absolute encoder	absolute encoder
Max. cycles/hour	20	20	20	20
Revolutions controlled by limit switches	18	18	18	18
Holding torque	450 Nm	450 Nm	450 Nm	500 Nm
Power supply	400 Vac / 50 Hz	400 Vac / 50 Hz	400 Vac / 50 Hz	400 Vac / 50 Hz
Power input	2,2 A	2,2 A	2,2 A	2,3 A
Maximum power	800 W	800 W	800 W	870 W
orque / Thrust	90 Nm	90 Nm	90 Nm	140 Nm
Maximum door weight	400 Kg	400 Kg	400 Kg	650 Kg
Drive shaft rpm	21 RPM	21 RPM	21 RPM	18 RPM
Release system for manual opening	manual emergency operation with chain	manual emergency operation with chain	quick release	manual emergency operation with chain
Operating temperature	-20°C ÷ +60°C	-20°C ÷ +60°C	-20°C ÷ +60°C	-20°C ÷ +60°C
Protection level	IP 54	IP 54	IP 54	IP 54
Control panel	EL400 EL500E (after rewiring)	EL500E EL400 (after rewiring)	EL500E EL400 (after rewiring)	EL500E EL400 (after rewiring)

Description	NRG90TXF	NRG90TXE - NRG90TRE - NRG140TXE
TECHNICAL SPECIFICATIONS		
Control panel	ref. EL400 for one 400 Vac motor	ref. EL500E for one 400 Vac motor
Radio frequency	433,92 MHz with NRGZENX1	433,92 MHz con NRGZENX1
Mains power supply	400 Vac - 50/60 Hz	400 Vac - 50/60 Hz 230 Vac - 50/60 Hz
Motor power supply	3 x 400 Vac 2,2 kW	3 x 400 Vac 4 kW 3 x 230 Vac 2,3 kW
Accessories power supply	24 Vdc - 0.100 A	24 Vdc - 0.250 A
Limit switch provision	prewired for mechanical limit switches. Also compatible with encoder	prewired for encoder. Also compatible with mechanical limit switches
Operating temperature	-10°C ÷ +50°C	-10°C ÷ +50°C
Control panel protection level	IP 54	IP 54
Control panel dimensions (mm)	210 x 305 x 120 mm	210 x 305 x 120 mm
INPUTS		
Opening control	■	■
Partial opening control		adjustable
Close control	■	■
Stop control	■	■
Step-by-step control	adjustable	adjustable
Hold-to-run control	adjustable	adjustable
Automatic closing contact management	adjustable	adjustable
8.2 KΩ-resistance safety edge	■ shared with optical safety edge	■
Optical safety edge	■ shared with optical safety edge, with 8.2kΩ resistance	■
OUTPUTS		
Flashing light	230 Vac	■ 230 Vac shared with courtesy light or with NRGFTL
Gate-open warning light (ON/OFF)	■ with NRGFTL	Adjustable
Courtesy light	■ with NRGFTL	■ shared with flashing light or with NRGFTL
PROGRAMMABLE FUNCTIONS		
Configuration of programmable functions	dip switch and signaling led	display and navigation buttons
Force adjustment		■
Operation time	■	■
Travel limit position configuration from electrical panel		■
SAFETY AND PROTECTION FUNCTIONS		
Emergency stop	■	■
Safe closing (inversion)	■	■
Safety Test Facility (for automatic safety devices)	■	■
ODS – Obstacle Detection System (causes the gate to stop or to reverse movement when an obstacle is detected)	■	■
OPTIONAL ACCESSORIES		
Magnetic loop detector	■ with LAB9 e CONT1	■ with LAB9 e CONT1

 The automation system can be completed with Ditec command, control and safety devices.
 ■ radio controls > page 86 ■ switches > page 92 ■ photocells > page 98 ■ flashing lights > page 100 ■ safety edges > page 101

Ditec NRG

Automation for counterweighted industrial sectional doors



Light, compact operator for installation on either right or left hand side of door.

Safe: motors with high holding torque (450 Nm for 90 Nm motors and 500 Nm for 140 Nm motors).

Plug & Play: pre-assembled chain for emergency manual operation. Pre-wired cable between motor and electrical panel for connecting limit switches and power feed. Ready to use electrical panels with cable pre-fitted with 3P+N+PE industrial plug and control panel.

Electrical panels ready for connection to latest generation optical sensing edges and 8.2 kΩ resistive sensing edges.

Three phase electromechanical actuators for industrial sectional doors

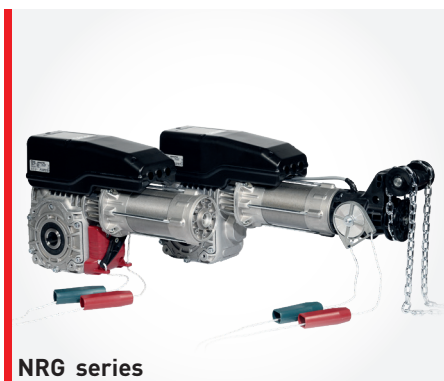
Article Code	Article Description
NANRG90TXF	90 Nm electromechanical actuator with release system and manual emergency operation mechanism with chain. 6-cam mechanical limit switches (motor mounting bracket not included)
NANRG90TXE	90 Nm electromechanical actuator with absolute encoder, with release system and manual emergency operation mechanism with chain (motor mounting bracket not included)
NANRG90TRE	90 Nm electromechanical actuator with absolute encoder, with quick release mechanism (motor mounting bracket not included)
NANRG140TXE	140 Nm electromechanical actuator with absolute encoder, with release system and manual emergency operation mechanism with chain (motor mounting bracket not included)

Control panels

Article Code	Article Description
NAEL400	For 1 three phase motor with mechanical limit switches. Configuration with LEDs
NAEL500E	For 1 three phase motor with absolute encoder. Configuration with display

Specific accessories

Article Code	Article Description
NANRGZENX1	12-24Vdc single channel receiver for plug-in installation on EL400 and EL500E control panels. Complete with BIXMR2 removable memory module.
NANRGFB	Slotted bracket for mounting Ditec NRG motor
NANRGFTL	Plug-in board for controlling flashing lights, service lights or traffic light units
NANRGCAB5	5 metre cable pre-fitted with connectors for motor power and managing limit switches (mechanical limit switches or absolute encoder)
NANRGCTR1	Chain drive kit complete with shaft with pinion, crown wheel, 1.6 metre chain and coupling, stop ring, grub screw and key. Drive ratio 1:1
NANRGCTR15	Chain drive kit complete with shaft with pinion, crown wheel, 1.6 metre chain and coupling, stop ring, grub screw and key. Drive ratio 1:1.5
NANRGCTR2	Chain drive kit complete with shaft with pinion, crown wheel, 1.6 metre chain and coupling, stop ring, grub screw and key. Drive ratio 1:2

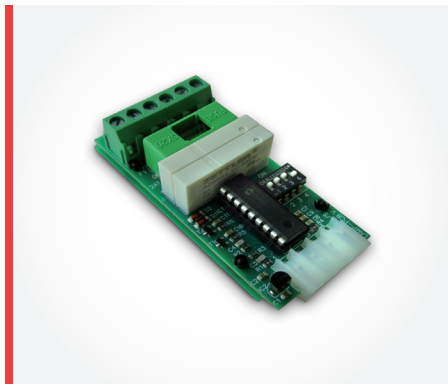




NRGCTR1 - NRGCTR15 - NRGCTR2



NRGZENX1

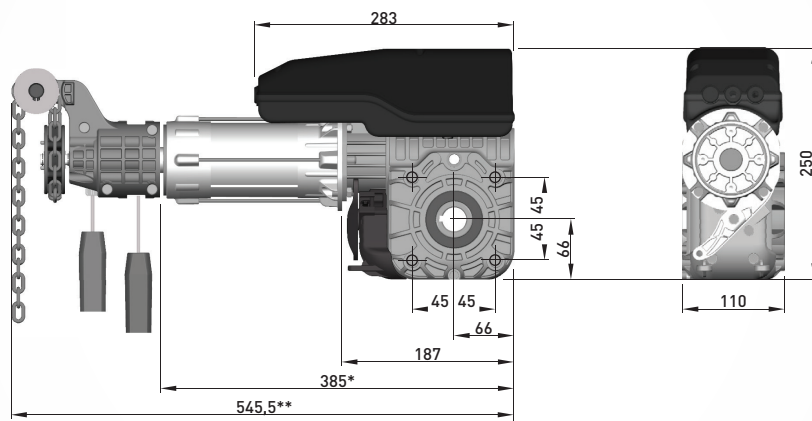


NRGFTL

Ditec NGR - Typical configuration



Dimensions



* Ditec NRG90TRE - ** Ditec NRG90TXE, NRG90TXF and NRG140TXE

Ditec DOR



Ditec DOR is an automation system for folding industrial doors that moves two wings up to 1.5 + 1.5 m long. When mounted on one wing, opening and closing is carried out by means of a telescopic arm.

Powerful: the machinery in conjunction with accurate control of the control panel move very heavy wings (500 kg).

Safe: The 24 Volt DC motor with a virtual encoder provides constant adjustment of the force of impact and immediate detection of obstacles.

Versatile: thanks to its virtual encoder control units it is possible to achieve accurate speed setting with the possibility to configure slowdowns and startups, avoiding mechanical stress during closing or opening.



Product range

Weight up to 500 kg

Ditec DOR 1BH - Ditec DOR 1BHS

Technical specifications

Description	DOR 1BH	DOR 1BHS (IP55 version)
Electromechanical actuator	for folding doors	for folding doors
Maximum capacity	500 kg (1.5 m + 1.5 m)	500 kg (1.5 m + 1.5 m)
Service index	4 - intensive	4 - intensive
Intermittent operation	S2 = 30 min S3 = 50%	S2 = 30 min S3 = 50%
Power absorption	24 Vdc	24 Vdc
Power input	12 A	12 A
Torque / Thrust	300 Nm	300 Nm
Drive shaft rpm	2.5 RPM	2.5 RPM
Release system for manual opening	rope	rope
Operating temperature	-20°C ÷ +55°C (-35°C ÷ +55°C with NIO enabled)	-20°C ÷ +55°C (-35°C ÷ +55°C with NIO enabled)
Protection level	IP 44	IP 55
Product dimensions (mm)	400x120x107	400x120x107
Control panel	LCU40H - LCU40HJ*	LCU40H - LCU40HJ*

*J version 120 Vac power supply

DOR 1BH - DOR 1BHS	
TECHNICAL SPECIFICATIONS	
Control panel	ref. LCU40H for 1 or 2 24 Vdc motors with built-in radio
Radio frequency	433.92 MHz standard / 868.35 MHz with ZENPRS or with BIXPR2
433MHz/868MHz interchangeable receiver module	■
Number of motors	1 or 2
Mains power supply	230 Vac or 120 Vac - 50/60 Hz
Motor power supply	24 Vdc - 2 x 12 A
Accessories power supply	24 Vdc - 0.5 A
Stroke control	virtual encoder
Limit switch provision	■
Energy saving	<1 W on standby
Operating temperature	-20°C ÷ +55°C in standard conditions / -35°C ÷ +55°C with NIO enabled
Control panel protection level	IP55
Control panel dimensions (mm)	238x357x120
INPUTS	
Opening control	■
Partial opening control	■
Close control	■
Stop control	■
Step-by-step control	■
Hold-to-run control	■
Automatic closing contact management	■
OUTPUTS	
Flashing light	24 Vdc
Electrically operated lock	12 Vdc / 15 W
Gate-open warning light (ON/OFF)	■
Gate-open warning light with proportional blink rate	■
Courtesy light	■ shared with electrically operated lock or flashing light
PROGRAMMABLE FUNCTIONS	
Configuration of programmable functions	display and navigation keys
Force adjustment	electronic
Speed	adjustable
Soft Start/Soft Stop	adjustable
Braking/Slowing down	adjustable
Stop approach	adjustable
Operation time	adjustable
Automatic re-closing time	adjustable
Integrated datalogging (counters and recent alarm history)	■ can be viewed on display and on a PC with Amigo SW
Extended datalogging with micro SD (in-depth records for every event)	■ can be viewed on a PC with Amigo SW
FW update	■ using MicroSD or using Amigo SW and USBPROG
SAFETY AND PROTECTION FUNCTIONS	
Emergency stop	■
Safe closing (inversion)	■
Safety Test Facility (for automatic safety devices)	■
ODS - Obstacle Detection System (causes the gate to stop or to reverse movement when an obstacle is detected)	■
NIO - Antifreeze system	■
OPTIONAL ACCESSORIES	
Batteries	■ with SBU
Possibility of integrated batteries in the control panel	■
Stand-alone solar-powered installation	■ with SBU
Hybrid solar-powered installation	■ with SBU
8.2 KΩ-resistance safety edge	■ with accessory
Magnetic loop detector	■ with LAB9

Ditec DOR

Automation for folding doors



Ditec DOR is an irreversible electromechanical actuating arm gear motor that is also available in an IP55 version.

It is the only model for a right and a left wing, it is already equipped with a cord activated release system.

In the event of a temporary power outage, there is the possibility to connect to **batteries**, to guarantee continued operation and enable the system a large number of operations while the electricity supply is being restored.

Irreversible electromechanical actuators for up to 1.5 + 1.5 m wings

Article Code	Description of Article
NADOR1BH	Irreversible electromechanical actuator, for intensive use, with a 24 Vdc motor
NADOR1BHS	Irreversible electromechanical actuator, for intensive use, with a 24 Vdc motor, IP 55 version

Specific accessories

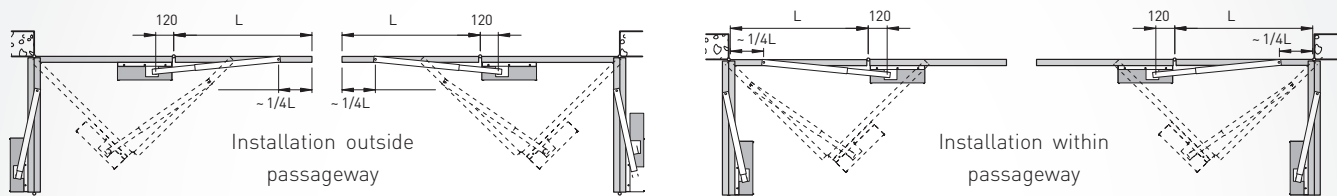
Article Code	Description of Article
NADORBD	Straight arm
NABOXFC1	Limit switch unit

Control panels

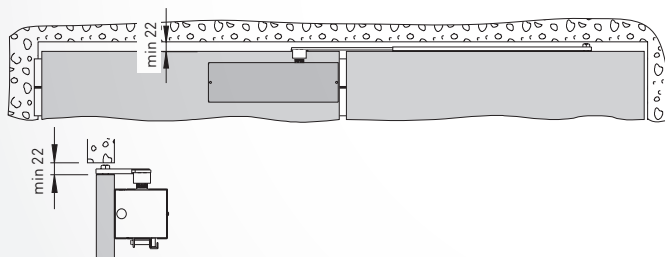
Article Code	Description of Article
NALCU40H	For one or two 24 Vdc / 2 x 12 A max motors with a 433 MHz radio
NALCU40HJ*	

*J version 120 Vac power supply

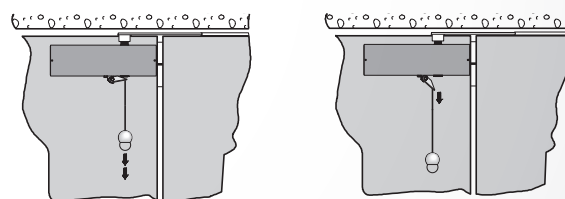
Example of installation



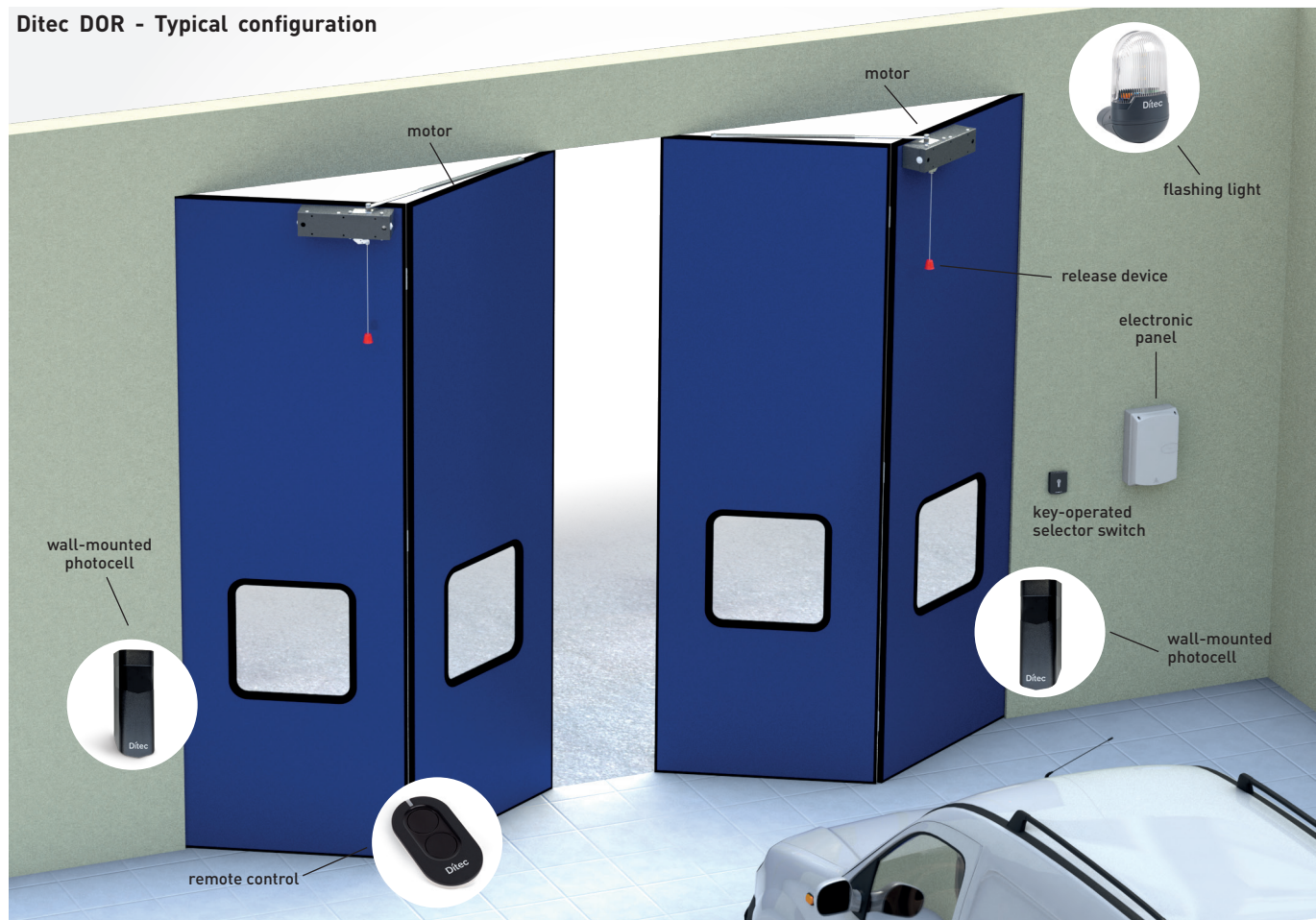
Gear motor location



Cord-release system

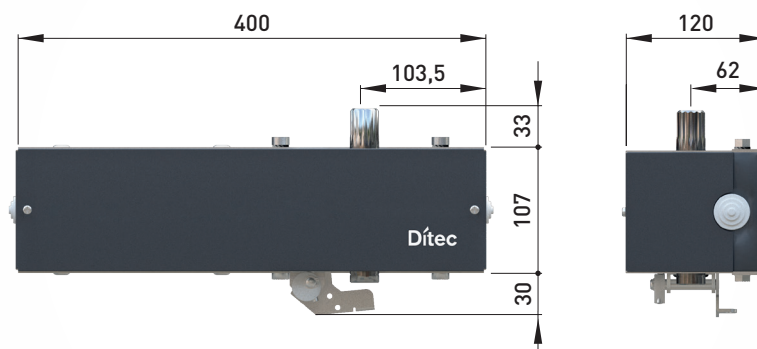


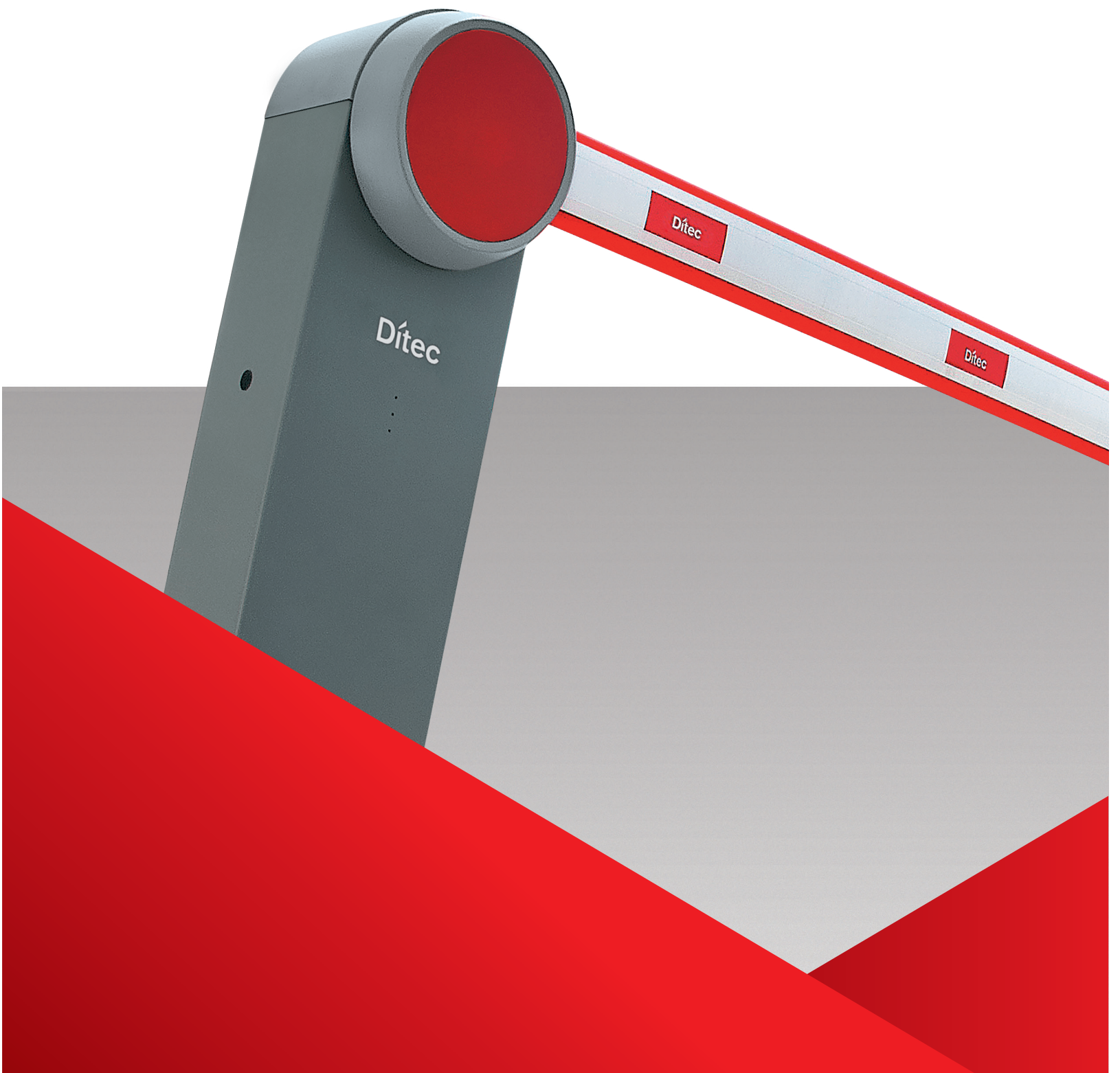
Ditec DOR - Typical configuration



The automation system can be completed with Ditec command, control and safety devices.
 ■ radio controls > page 86 ■ switches > page 92 ■ photocells > page 98 ■ flashing lights > page 100 ■ safety edges > page 101

Dimensions





AUTOMATIC BARRIERS AND AUTOMATION FOR SLIDING FRAMES

AUTOMATIC BARRIERS

Ditec QIK 4E

up to 3.5 meters

Ditec QIK 7EH

up to 5.8 meters

Ditec QIK 80EH

up to 7.6 meters

AUTOMATION FOR SLIDING FRAMES

Ditec OLLY E

with frames weighing up to 80 kg

Ditec QIK



Ditec QIK is the top performance automatic barrier that fits perfectly into any context. It is the ideal solution for completely secure access control and management, allowing only authorised personnel to enter.

It is available in 3 versions: **one 230 Vac version** for a usable opening width of up to **3.5 m** and **two 24 Vdc versions** for passageways of up to **5.8 and 7.6 m** respectively. The encoder system on the **24 Vdc** models ensures completely safe use, allowing speed control and continuous adjustment of the impact force, as well as immediate detection of obstructions. Available in both 230 Vac and 120 Vac power supply.

SAFE  VERSATILE 

Product range

Automatic barrier up to 3.5 m long Ditec QIK 4E	Automatic barrier up to 5.8 m long Ditec QIK 7EH	Automatic barrier up to 7.6 m long Ditec QIK 80EH
--	---	--

Technical specifications

Description	QIK 4E	QIK 7EH - QIK 7EHJ	QIK 80EH
Barriers	up to 3.5 m long	up to 5.8 m long	up to 7.6 m long
Stroke control	lever-operated mechanical stop	encoder	encoder + limit switch
Arm length up to	3.7 m	6 m	7.95 m
Arm	elliptical	elliptical	round
Service index	4 - intensive	5 - very intensive	4 - intensive
Intermittent operation	S2 = 15 min S3 = 30%	S2 = 60 min S3 = 60%	S2 = 50 min S3 = 50%
Power absorption	230 Vac - 50 Hz	230 Vac or 120 Vac - 50/60 Hz	230 Vac - 50/60 Hz
Power input	1.2 A	1 A	1.2 A
Torque	90 Nm	70 Nm	200 Nm
Opening time	4 s/90°	2-6 s/90°	6-12 s/90°
Closing time	4 s/90°	2-6 s/90°	6-12 s/90°
Release system for manual opening	key operated	key operated	key operated
Operating temperature	-20°C ÷ +55°C [-35°C ÷ +55°C with NIO enabled]	-20°C ÷ +55°C [-35°C ÷ +55°C with NIO enabled]	-20°C ÷ +55°C [-35°C ÷ +55°C with NIO enabled]
Protection level	IP 24D	IP 24D	IP 24D
Product dimensions (mm)	300x320x1050	300x320x1050	405x525x1180
Control panel	E1A (built in)	EL31R (built-in)	EL34 (built in)

	QIK 4E	QIK 7EH - QIK 7EHJ	QIK 80EH
TECHNICAL SPECIFICATIONS			
Control panel	ref. E1A for one 230 Vac motor with built-in radio	ref. EL31R for 1 24 Vdc motor with built-in radio	ref. EL34 for 1 24 Vdc motor with a built-in radio decoder
Radio frequency	433.92 MHz standard 868.35 MHz with BIXPR2	433.92 MHz standard 868.35 MHz with BIXPR2	433.92 MHz with GOLR 868.35 MHz with BIXPR2
Mains power supply	230 Vac - 50 Hz	230 Vac or 120 Vac - 50/60 Hz	230 Vac - 50/60 Hz
Accessories power supply	24 Vdc - 0.5 A	24 Vdc - 0.3 A	24 Vdc - 0.5 A
Stroke control		encoder	encoder
Limit switch provision	■	■	■
Energy saving			reduced consumption on standby*
Operating temperature	-20°C ÷ +55°C in standard conditions -35°C ÷ +55°C with NIO enabled	-20°C ÷ +55°C in standard conditions -35°C ÷ +55°C with NIO enabled	-20°C ÷ + 55°C in standard conditions -35°C ÷ +55°C with NIO enabled
Control panel protection level	IP55	IP55	IP55
Control panel dimensions (mm)	built into the barrier	built into the barrier	built into the barrier
* Limitation of current absorbed by accessories on standby			
INPUTS			
Opening control	shared with step-by-step control, selected with dip-switch	shared with step-by-step control, selected with dip-switch	■
Partial opening control	■ via radio		
Close control	shared with emergency stop, which can be selected by setting a jumper	shared with emergency stop, which can be selected via dip-switch	■
Stop control	■	■	■
Step-by-step control	shared with opening control, selected via dip-switch	shared with opening control, selected via dip-switch	■
Hold-to-run control	■	■	■
Automatic closing contact management			■
OUTPUTS			
Flashing light	230 Vac	24 Vdc	24 Vdc
Electrically operated lock		24 Vdc / 1 A	24 Vdc / 1 A
Gate-open warning light (ON/OFF)	■ from limit switch		
Gate-open warning light with proportional blink rate		■	■
Courtesy light	■ up to 60 W	■ up to 400 W	■ up to 400 W configurable via MD2
PROGRAMMABLE FUNCTIONS			
Configuration of programmable functions	dip-switches and trimmers	dip-switches and trimmers	dip-switches and trimmers or via the MD2 accessory
Force adjustment	electronically selected transformer	electronic	electronic
Speed		adjustable	adjustable
Soft start / Soft stop		fixed	fixed
Operation time	adjustable	adjustable	adjustable
Automatic re-closing time	adjustable	adjustable	adjustable
SAFETY AND PROTECTION FUNCTIONS			
Emergency stop	■	■	■
Safe closing (inversion)	■	■	■
Safety Test Facility (for automatic safety devices)	■	■	
ODS – Obstacle Detection System (causes the gate to stop or to reverse movement when an obstacle is detected)	■	■	■
NIO - Antifreeze system	■	■	■
OPTIONAL ACCESSORIES			
Batteries		■ with SBU	■ with BATKH
Support for automation system with integrated batteries		■	■
Stand-alone solar-powered installation		■ with SBU	■ with BATKH
8.2 KΩ-resistance safety edge	■ with accessory	■ with accessory	■ with accessory
Magnetic loop detector	■ with LAB9	■ with LAB9	■ with LAB9

* Note: add the GOLR receiver card for use with the ZEN remote control

Ditec QIK 4E, Ditec QIK 7EH

Automatic barriers up to 5.8 meters



Ditec QIK 7EH is the high-performance automatic barrier that is synonymous with long life: **tested to more than 1 million cycles**, it has an opening speed of down to 2 sec (90° opening).

Versatile: simple setting of opening and closing speed, and of the automatic closing time; adjustable force control and braking distance control.

Complete: electrically operated closing lock that guarantees greater safety against unauthorised opening, articulated arm for operation in limited vertical space, arm lighting kit for greater visibility, card for running on batteries that can be recharged from the mains or from solar panels.

Easy to install: a single 24 Vdc for usable openings from 1.3 m to 5.8 m balancing the weight of the arm and any additional accessories (moving mounting, skirting, etc.) simply by choosing the right compression spring among the 4 available.

Automatic barriers up to 5.8 m long (usable opening)

Article Code	Description of Article
NAQIK4E	Intensive-use barrier, 230 Vac motor, 3.5 m usable opening, without spring, with a 433 MHz radio
NAQIK7EH NAQIK7EHJ*	Very-intensive-use barrier, 24 Vdc motor with encoder, 5.8 m usable opening, without spring, with a 433 MHz radio
NAQIKY7EH	Very-intensive-use barrier, 24 Vdc motor with encoder, 5.8 m usable opening, without spring, stainless steel version, with a 433 MHz radio

*J version 120 Vac power supply

Accessories

Article Code	Description of Article
NAQIKB37	Aluminium elliptical arm, L = 3700 mm
NAQIKB50	Aluminium elliptical arm, L = 5000 mm
NAQIKB60	Aluminium elliptical arm, L = 6000 mm
NAQIKBG	Joint for elliptical arm
NAQIKM1	Grey spring
NAQIKM2	Green spring
NAQIKM3	Red spring ø 38 mm
NAQIKM4	Red spring ø 51 mm
NAQIKZ	Base plate with support feet for barrier
NAQIKGR	Aluminium skirting L = 2000 mm, red/white painted
NAQIKSN	Articulation for elliptical arm
NASBU	Card for recharging batteries from the mains or from photovoltaic panels (not included). Complete with cables and mountings for swing gates control panels, barrier (Ditec QIK 7EH) and motors for sliding gates (NEOS series)
NAQIKLUX	Kit of lights (6 leds) - QIK4E max 6 leds, QIK7EH max 12 leds
NAQIKC	10 reflective strips kit
NAQIKAF	Fixed mounting - to be fixed to the ground
NAQIKAFE	Fixed mounting with electromagnetic lock
NAQIKAM	Moving mounting - to be fixed to the arm
NAQIKAFZ	Fixing support feet for QIK AF mounting
NAM1QKC7	Memory module for special parking functions

Note: For spring selection, see table on page 72
Usable passageway width PL = L - 200 mm with L = arm length



QIK



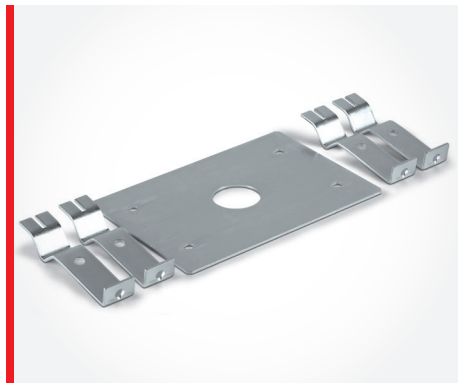
QIKB37 - QIKB50 - QIKB60



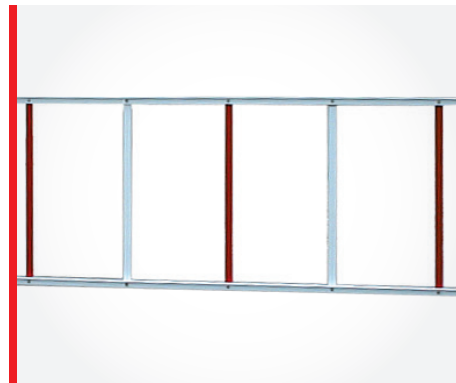
QIKBG



QIKM



QIKZ



QIKGR

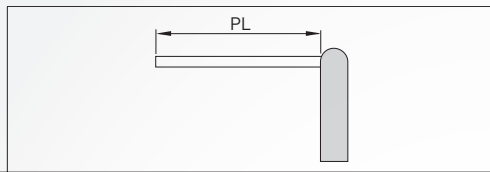


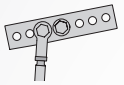
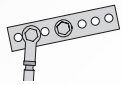
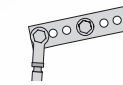
QIKSN

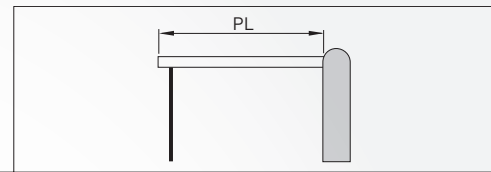


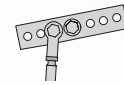
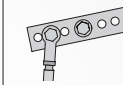
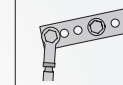
SBU

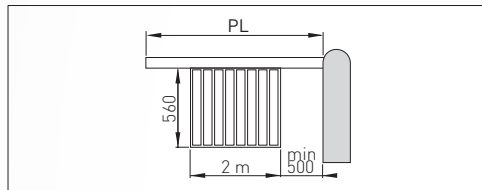
Ditec QIK 4E - Ditec QIK 7EH - Selection of the suitable spring

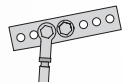
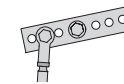
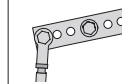


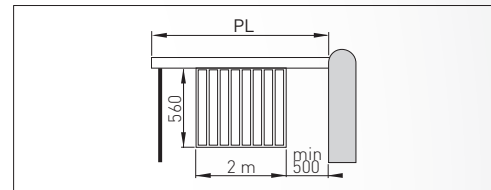
PL (mm)			
1300 - 1699	QIKM1	/	/
1700 - 1999	/	QIKM1	/
2000 - 2499	QIKM2	/	/
2500 - 2999	/	QIKM2	/
3000 - 3499	/	/	QIKM2
3500 - 4499	QIKM3	/	/
4500 - 5199	/	QIKM3	/
5200 - 5800	/	QIKM4	/

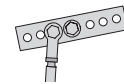
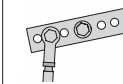
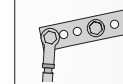


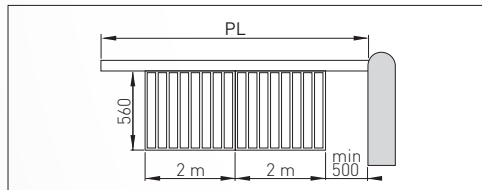
PL (mm)			
1900 - 1999	/	/	QIKM1
2000 - 2299	QIKM2	/	/
2300 - 2899	/	QIKM2	/
2900 - 3199	/	/	QIKM2
3200 - 4099	QIKM3	/	/
4100 - 4799	/	QIKM3	/
4800 - 5800	/	QIKM4	/

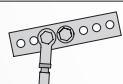
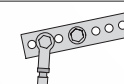
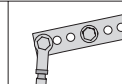


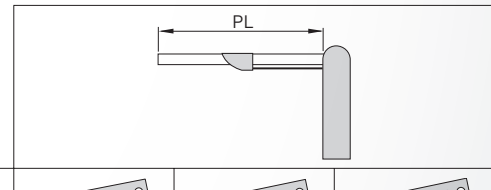
PL (mm)			
2500 - 2999	/	/	QIKM2
3000 - 3600	QIKM3	/	/

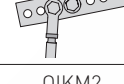
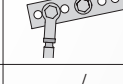



PL (mm)			
2700 - 3399	QIKM3	/	/
3400 - 3600	/	QIKM3	/

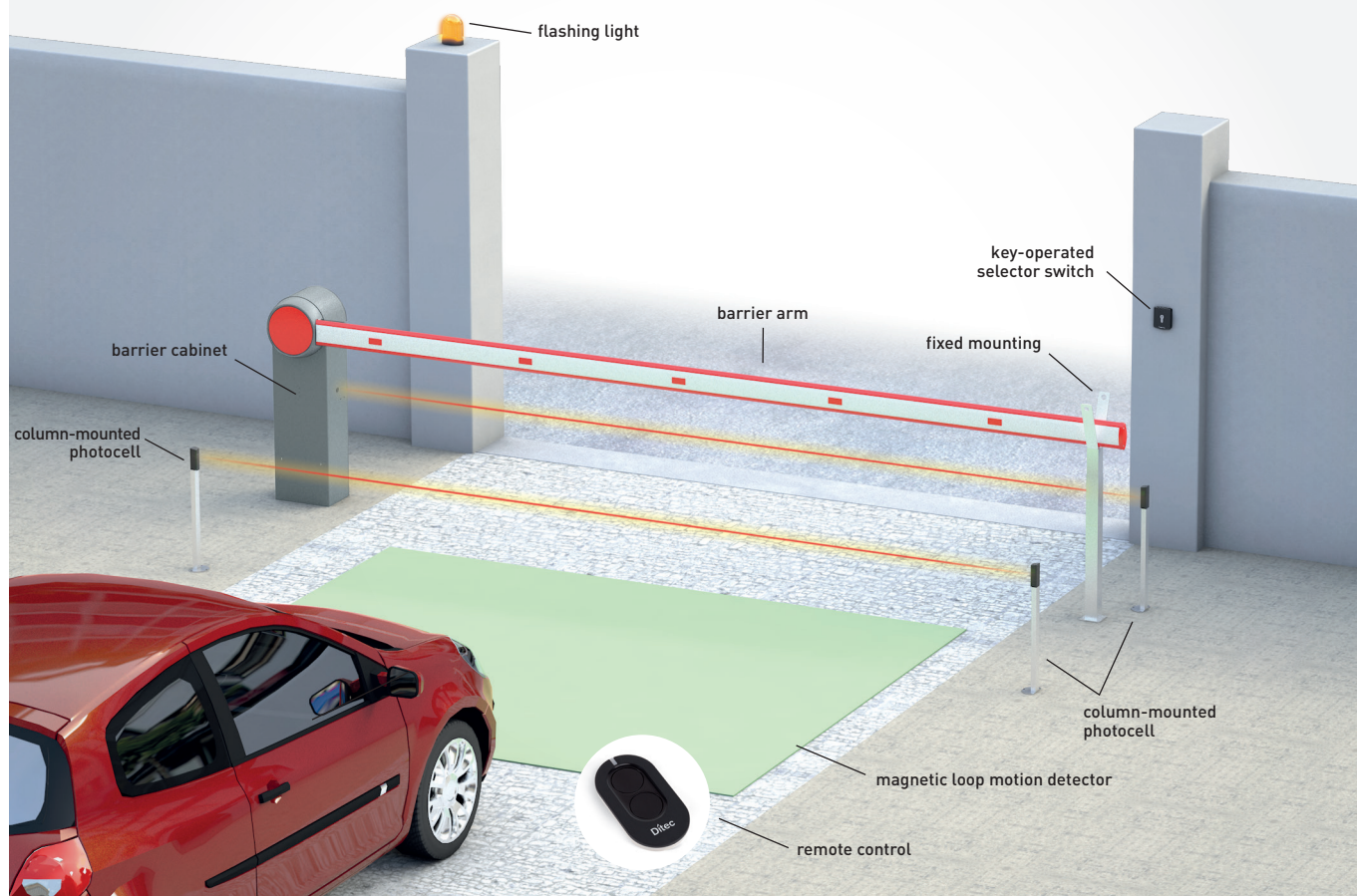


PL (mm)			
4600 - 5000	/	QIKM4	/



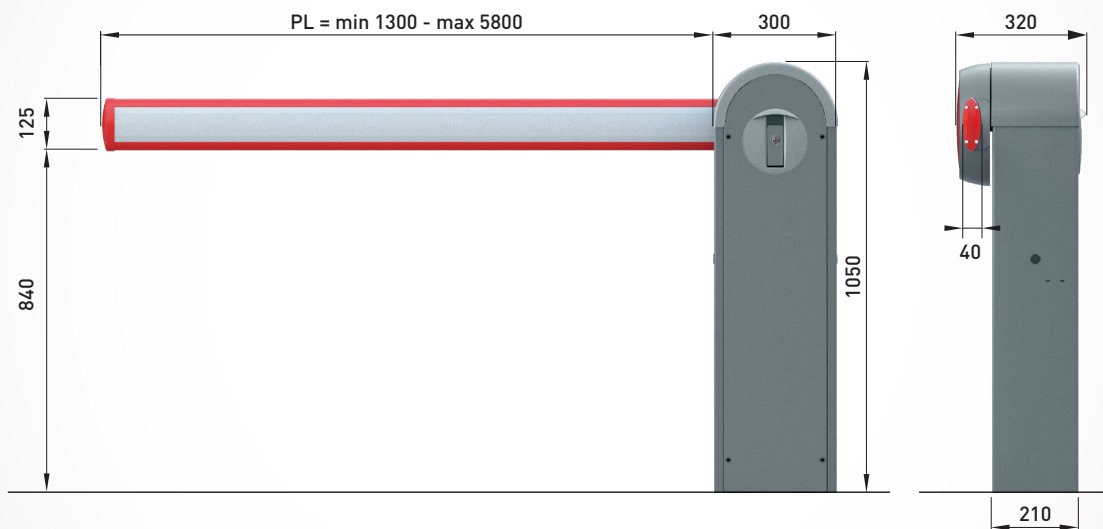
PL (mm)			
2000 - 2299	QIKM2	/	/
2300 - 2899	/	QIKM2	/
2900 - 3199	/	/	QIKM2
3200 - 4099	QIKM3	/	/
4100 - 4450	/	QIKM3	/

Ditec QIK 4E - 7EH - Typical configuration



The automation system can be completed with Ditec command, control and safety devices.
 ■ radio controls > page 86 ■ switches > page 92 ■ photocells > page 98 ■ flashing lights > page 100 ■ safety edges > page 101

Dimensions



Ditec QIK 80EH

Automatic barriers up to 7.6 meters



Ditec QIK80EH is an automatic barrier for up to 7.6 m usable openings. **Aluminium round arm** for greater stability and wind resistance, avoiding waving. The electronic control panel installed on the top of the barrier for easy access and configuration.

Thanks to the **encoder** and the **built-in limit switches** it is possible to manage speed, thrust on obstructions, control of startup time, and setting of slowing down during opening and closing. Diagnostics and control panel setting via the MD2 display module.

Enhanced functions include **counters for partial and total number of operations**, dedicated terminal connection for quick connection in a **master/slave configuration** for synchronized dual opening or interlocking opening control, and the NIO electronic antifreeze system built into the control panel.

Automatic barriers up to 7.6 m long (usable opening)

Article Code	Description of Article
NAQIK80EH	Intensive-use barrier, 24 Vdc motor with encoder and mechanical stop, 7.6 m usable opening, without spring, suitable for fitting a round arm

Note: The electronic panel does not include a radio receiver

433 MHz receiver module

Article Code	Description of Article
NAGOLR	433 MHz receiver module for an EL34 control panel

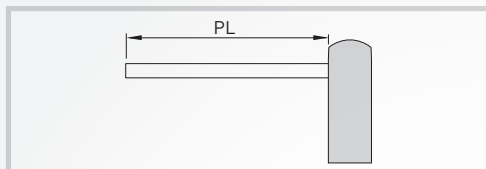
Note: Alternatively, the card-type receivers on page 88 can be used

Accessories

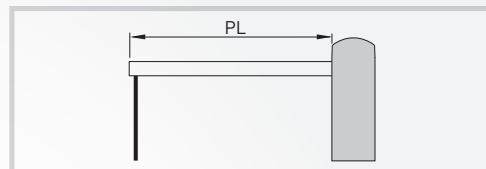
Article Code	Description of Article
NAQIKC40	Aluminium round arm, L = 3975 mm
NAQIKCG	Joint for round arm
NAQIKM5	Blue spring
NAQIK80Z	Base plate with support feet for barrier
NAQIKGR	Aluminium skirting L = 2000 mm, red/white painted
NABATKH	Battery kit for 24 Vdc barrier
NAQIKLUX	Kit of lights (6 leds) - max 15 leds
NAQIKC	10 reflective strips kit
NAQIKAF	Fixed mounting - to be fixed to the ground
NAQIKAFE	Fixed mounting with electromagnetic lock
NAQIKAM	Moving mounting - to be fixed to the arm
NAQIKAFZ	Fixing support feet for QIKAF mounting
NAMD2	Display module for diagnostics and enhanced control system

Note: For spring selection, see table on the next page
Usable passageway width $PL = L - 350$ mm L = arm length

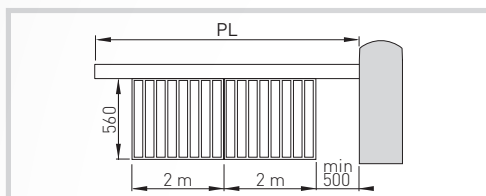
Ditec QIK 80EH - Choosing the right spring



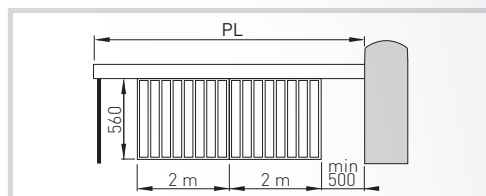
PL (mm)				
4500-5199	QIKM5	/	/	/
5200-5999	/	QIKM5	/	/
6000-6999	/	/	QIKM5	/
7000-7600	/	/	/	QIKM5



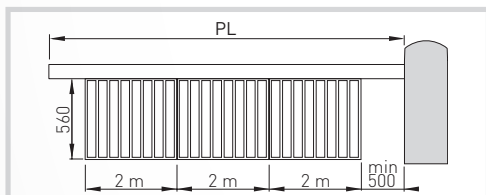
PL (mm)				
4500-4999	QIKM5	/	/	/
5000-5799	/	QIKM5	/	/
5800-6799	/	/	QIKM5	/
6800-7200	/	/	/	QIKM5



PL (mm)				
4600-4799	QIKM5	/	/	/
4800-5499	/	QIKM5	/	/
5500-6499	/	/	QIKM5	/
6500-6800	/	/	/	QIKM5

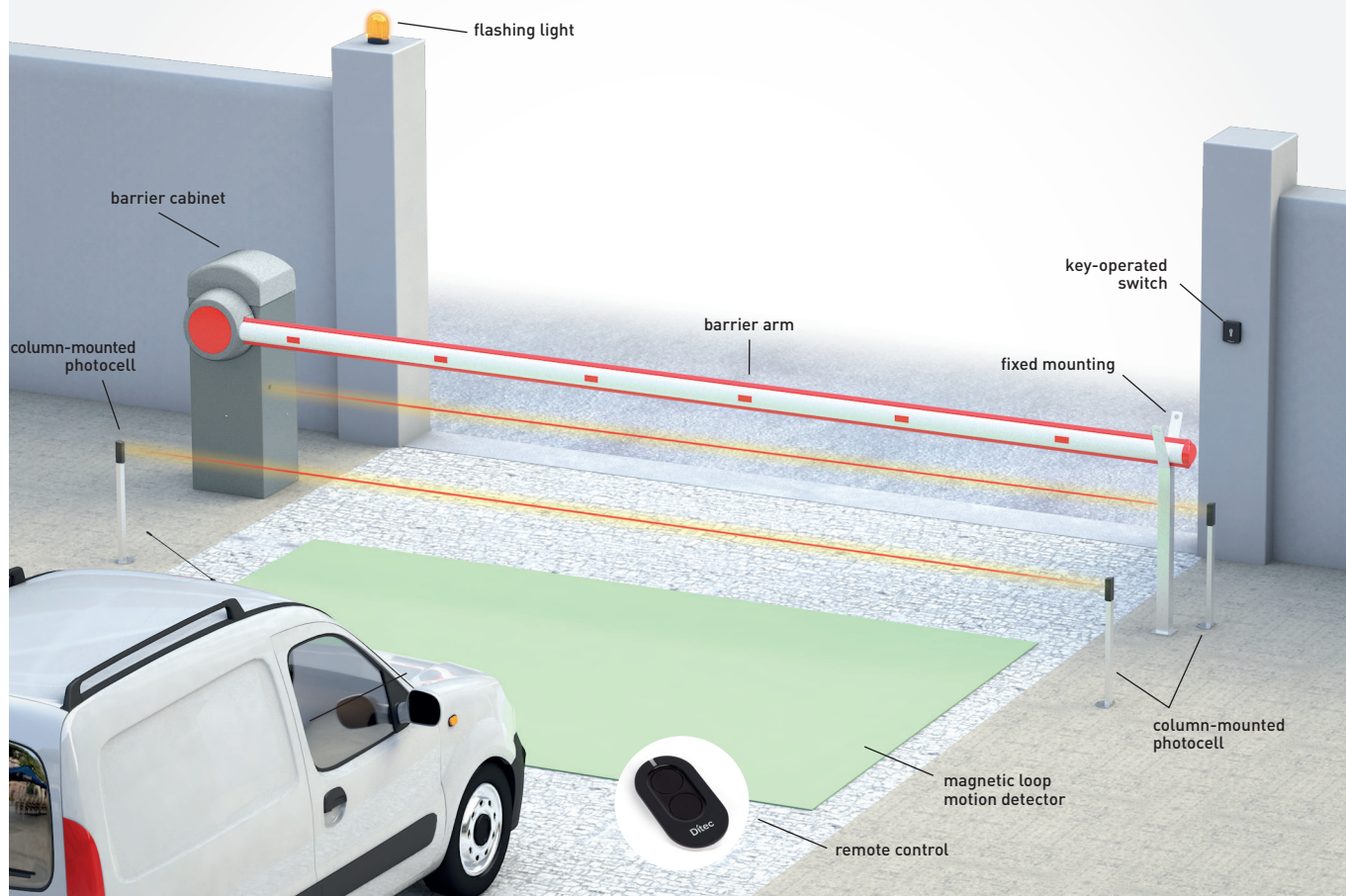


PL (mm)				
4800-5899	/	/	QIKM5	/
5900-6500	/	/	/	QIKM5



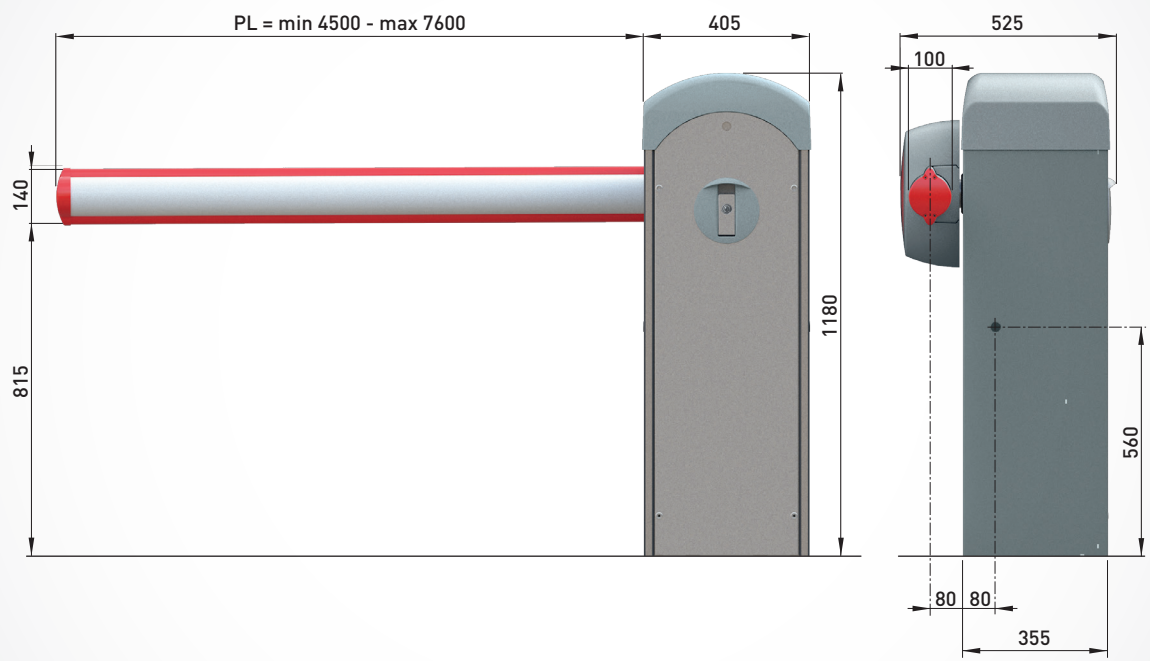
PL (mm)				
6700	/	/	/	QIKM5

Ditec QIK 80EH - Typical configuration



The automation system can be completed with Ditec command, control and safety devices.
 ■ radio controls > page 86 ■ switches > page 92 ■ photocells > page 98 ■ flashing lights > page 100 ■ safety edges > page 101

Dimensions



Ditec OLLY E



Ditec OLLY E is an automation system for sliding frames, both visible and concealed, that can move wing weighing up to 80 Kg.

Ready to use: versatile and quiet, it is supplied complete with an actuator, drive belt, two belt connectors and a control panel complete with a built-in radio receiver.

Easy to install: control panel is separate from the automation system in order to guarantee compact dimensions. An automation system that can handle two mounting options: right wing over left wing or vice versa.

READY
TO USE



EASY TO
INSTALL



Technical specifications

Description	OLLY E
Electromechanical actuator	for sliding frames
Maximum capacity	80 kg
Service index	2 - light
Intermittent operation	S2 = 7 min / S3 = 15%
Power absorption	19 V=
Power input	1.8 A
Torque / Thrust	50 Nm
Opening speed	0.1 m/s
Closing speed	0.1 m/s
Maximum opening width	3.5 m
Operating temperature	-20°C ÷ +55°C
Protection level	IP 20
Product dimensions (mm)	60x43x120
Control panel	R02H

Control panel functions

Description	R02H
Control panel	for 1 19 V= motor with built-in radio
Mains power supply	230 Vac - 50/60 Hz
Energy saving	reduced consumption when on stand-by and during use
Number of motors	1
Motor power supply	19 V= / 1.8 A
Stop device	■
ODS - Obstacle Detection System (causes the gate to stop or to reverse motion when an obstruction is detected)	■
Opening control	■
Close control	■
Hold-to-run control	■

Automation set for sliding frame

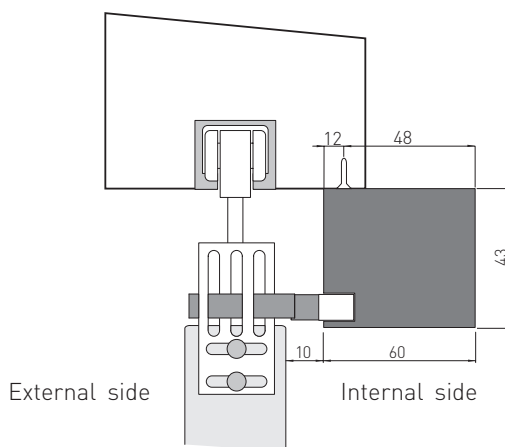
The set contains, in a single pack, the automation and the control and safety accessories required to setup a wing sliding frame. Contents: 1 1JE actuator + 1.5 m KXL037K drive belt + 2 2R944A belt connectors + 1 R02H control panel complete with built-in radio receiver

Article Code	Description of Article
NAKJE	OLLY E set

Accessories

Article Code	Description of Article
NAKXL037K	20 m transmission belt roll

Dimensions





ACCESSORIES

Control panels

Ditec ZEN

Ditec ZENPAD and ZEN MANAGER

Key selectors and digital keypads

Ditec SVA

Transponder proximity control system

**Magnetic-loop motion detector,
and token-based control device**

Photocells

Flashing lights

**Passive safety edges and microswitch
active edge**

**Active and resistive safety edges
auto-controlled by control devices**

Ditec Smart tools for professionals

24 Vdc control panels



Multifunction control panels for one or two 24 Vdc motors for swing gates. Available in two versions: **LCU30H for motors up to 6 A and LCU40H for motors up to 12 A.**

Both panels make it easy to use the display to configure position and speed at any time, allowing adjustment for acceleration, deceleration, start time, slowdown distance and approach speed during opening and closing.

Integrated diagnostics with counters and history for the most recent alarms, visible on the panel display (LCU30H and LCU40H) and on a PC with MicroSD (LCU40H).

In-depth diagnostics with registration of all events on a MicroSD card (LCU40H). Data can be displayed and precisely analysed with software Amigo (available in the download area of www.ditecautomations.com site).

Control panel compatible motors

LCU30H - LCU30HJ	LCU40H - LCU40HJ
PWR 25H - PWR 35H - PWR 40H - FACIL 3H - ARC BH	PWR 25H - PWR 35H - PWR 40H - PWR 50H - PWR 50HV - PWR 50HR - FACIL 3H - ARC BH - ARC 1BH - CUBIC 6H - CUBIC 6HV - DOR 1BH - DOR 1BHS

Control panels

Article Code	Description of Article
NALCU30H NALCU30HJ*	For one or two 24 Vdc / 2 x 6 A max motors with a 433 MHz radio
NALCU40H NALCU40HJ*	For one or two 24 Vdc / 2 x 12 A max motors with a 433 MHz radio

*J version 120 Vac power supply

Accessories

Article Code	Description of Article
NASBU	Card for recharging batteries from the mains or from photovoltaic panels (not included). Complete with cables and mountings for swing gates control panels, barrier (Ditec QIK 7EH) and motors for sliding gates (NEOS series)
NABBU20	Emergency batteries kit complete with 2 2Ah batteries and an IP55 installation box
NABBU65	Emergency batteries kit complete with 2 7Ah batteries and an IP55 installation box



LCU30H - LCU30HJ



LCU40H - LCU40HJ

24 Vdc control panels

	LCU30H - LCU30HJ	LCU40H - LCU40HJ
TECHNICAL SPECIFICATIONS		
Control panel	for 1 or 2 24 Vdc motors with built-in radio	for 1 or 2 24 Vdc motors with built-in radio
Radio frequency	433.92 MHz standard 868.35 MHz with ZENPRS or with BIXPR2	433.92 MHz standard 868.35 MHz with ZENPRS or with BIXPR2
433MHz/868MHz interchangeable receiver module	■	■
Mains power supply	230 Vac - 50/60 Hz / 120 Vac - 50/60 Hz	230 Vac - 50/60 Hz / 120 Vac - 50/60 Hz
Motor power supply	24 Vdc - 2 x 6 A	24 Vdc - 2 x 12 A
Accessories power supply	24 Vdc - 0.3 A (0.5 A max.)	24 Vdc - 0.5 A
Stroke control	virtual encoder	virtual encoder
Limit switch provision	■	■
Energy saving		<1 W on standby
Operating temperature	-20°C ÷ +55°C in standard conditions (-35°C ÷ +55°C with NIO enabled)	
Protection level	IP55	IP55
Product dimensions (mm)	187x261x105	238x357x120
INPUTS		
Opening control	shared with step-by-step control, selected via display	■
Partial opening control	■	■
Close control	shared with emergency stop, which can be selected from the display	■
Stop control	■ via radio or shared with partial opening control, which can be selected from the display	■
Step-by-step control	■	■
Hold-to-run command	■ via display	■
Automatic closing contact management	shared with partial opening control, selected via display	■
OUTPUTS		
Flashing light	24 Vdc	24 Vdc
Electrically operated lock	12 Vdc / 15 W	12 Vdc / 15 W
Gate-open warning light (ON/OFF)	■ shared with electrically operated lock or flashing light	■
Gate-open warning light with proportional blink rate	■ shared with electrically operated lock or flashing light	■
Courtesy light	■ shared with electrically operated lock or flashing light	■ shared with electrically operated lock or flashing light
PROGRAMMABLE FUNCTIONS		
Configuration of programmable functions	display and navigation keys	display and navigation keys
Force adjustment	electronic	electronic
Speed	adjustable	adjustable
Soft Start/Soft Stop	adjustable	adjustable
Braking/Slowing down	adjustable	adjustable
Stop approach	adjustable	adjustable
Adjustable operation open time	adjustable	adjustable
Automatic re-closing time	adjustable	adjustable
Integrated datalogging (counters and recent alarm history)	■ can be viewed on the display	■ can be viewed on the display and on a PC with Amigo SW
Extended datalogging with micro SD (in-depth records for every event)		■ can be viewed on a PC with Amigo SW
FW update	■ using Amigo SW and USBPROG	■ using MicroSD or using Amigo SW and USBPROG
SAFETY AND PROTECTION FUNCTIONS		
Emergency stop	■	■
Safe closing (inversion)	■	■
Safety Test Facility (for automatic safety devices)	■	■
ODS – Obstacle Detection System (causes the gate to stop or to reverse movement when an obstacle is detected)	■	■
NIO - Antifreeze system	■	■
OPTIONAL ACCESSORIES		
Batteries	■ with SBU	■ with SBU
Possibility of integrated batteries in the control panel		■
Stand-alone solar-powered installation	■ with SBU	■ with SBU
Hybrid solar-powered installation		■ with SBU
8.2 KΩ-resistance safety edge	■ with accessory	■ with accessory
Magnetic loop detector	■ with LAB9	■ with LAB9



Control units for one or two 230 Vac motors compatible with automation for sliding gates, QIK4E barriers and sectional doors for industrial plants. They are equipped with microprocessor logic and they have a **built-in 433 MHz radio** (with the exception of LOGICM and LCA80). Accessories are powered at 24 Vdc for greater safety. 24 Vac power supply on LCA70 and LCA80 control panels also available. **Removable terminal connectors** facilitate cabling. The small box which is made of plastic material is particularly well suited to outdoor installation.

Control panel compatible motors

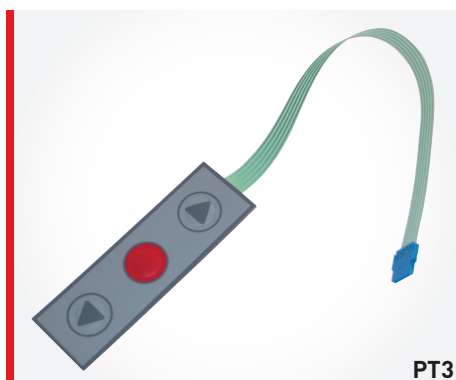
E1A	LCA70 - LCA80	LOGIC M
CROSS 18 - CROSS 18E - DOD 14 - QIK 4E	CUBIC 6	CROSS 18 - CROSS 18VE - CUBIC 6

Control panels

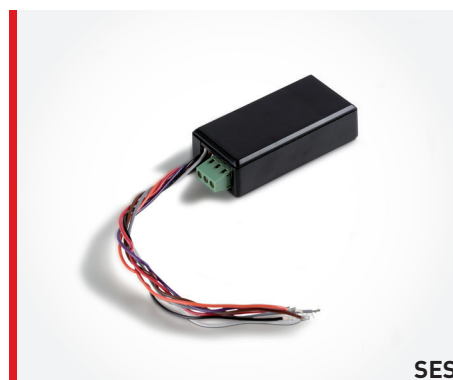
Article Code	Description of Article
NAE1	For one 230 Vac / 5 A motor with built-in 433 MHz radio
NAE1A	For one 230 Vac / 5 A motor with built-in 433 MHz radio
NALCA70	For 1 or 2 230 Vac motors, 1 x 4 A, 2 x 2 A. 433 MHz radio receiver
NALCA80	For 1 or 2 230 Vac motors, 1 x 4 A, 2 x 2 A. 433 MHz or 868 MHz (not included) radio receiver
NALOGICM	For one or two 230 Vac / 1 x 5 A - 2 x 2.5 A max motors

Specific accessories

Article Code	Description of Article
NAZENRS	433 MHz plug-in receiver module for control panels with built-in radio decoder. Male connector
NAZENPRS	868 MHz plug-in receiver module for control panels with built-in radio decoder. Male connector
NAPT3	Optional pushbutton panel for E1A and E1T with 3 keys (open-close-stop)
NASES	Signal processing PCB (to expand control panel functions)



PT3



SES

230 Vac control panels

	E1	E1A	LCA70	LCA80	LOGIC M
TECHNICAL SPECIFICATIONS					
Control panel	for 1 230 Vac motor with built-in radio	for 1 230 Vac motor with built-in radio	for 1 or 2 230 Vac motors	for 1 or 2 230 Vac motors	for 1 or 2 230 Vac motors
Radio frequency 433MHz/868MHz interchangeable receiver module	433.92 MHz standard 868.35 MHz with BIXPR2	433.92 MHz standard 868.35 MHz with BIXPR2	433,92 standard 868,35 MHz with ZENPRS o BIXPR2	433,92 MHz with ZENRS or BIXR2 868,35 MHz with ZENPRS or BIXPR2	433.92 MHz with BIXR2 868,35 MHz with BIXPR2
Mains power supply	230 Vac - 50 Hz	230 Vac - 50 Hz	230 Vac - 50/60 Hz	230 Vac - 50/60 Hz	230 Vac - 50 Hz
Motor power supply	230 Vac - 5 A	230 Vac - 5 A	230 Vac - 1 x 4 A 230 Vac - 2 x 2 A	230 Vac - 1 x 4 A 230 Vac - 2 x 2 A	230 Vac - 1 x 5 A 230 Vac - 2 x 2.5 A
Accessories power supply	24 Vdc - 0.5 A	24 Vdc - 0.5 A	24 Vdc + 24 Vac - 0.3 A	24 Vdc + 24 Vac - 0.5 A	24 Vdc - 0.5 A
Stroke control			End stop detection and time calculation		
Limit switch provision	■	■		■	■ only with 1 motor
Energy saving	Reduced consumption on standby*			Reduced consumption on standby*	
Operating temperature	-20°C ÷ +55°C	-20°C ÷ +55°C in standard conditions (-35°C ÷ +55°C with NIO enabled)			
Control panel protection level	IP55	IP55	IP55	IP55	IP55
Control panel dimensions (mm)	187x261x105	187x261x105	187x261x105	187x261x105	187x261x105
* Limitation of current absorbed by accessories on standby					
INPUTS					
Opening control	shared with step-by-step control, selected with dip-switch	shared with step-by-step control, selected with dip-switch	shared with inching control, which can be selected from the display	■	■
Partial opening control	■ with radio only	■ with radio only	■	■	■
Close control	shared with emergency stop, which can be selected by setting a jumper		shared with emergency stop, which can be selected from the display via Radio or shared with partial opening control, which can be selected from the display	■	■
Stop control	■	■	■	■	■
Step-by-step control	shared with opening control, selected via dip-switch		■	■	■
Hold-to-run command	■	■	■	■	■
Automatic closing contact management			shared with partial opening control, which can be selected from the display	■	■
OUTPUTS					
Flashing light	230 Vac	230 Vac	230 Vac	230 Vac	230 Vac and 24 Vdc
Electrically operated lock			12 Vac 15 W	12 Vac 15 W	12-24 Vdc / 1.2 A 12 Vac / 15 W
Relay output for free voltage courtesy light	■ up to 60W	■ up to 60W			■ up to 100 W, only with 1 motor, selected via jumper
24 Vdc number of configurable outputs			1	2	
- gate-open warning light (ON/OFF)	■ from limit switch	■ from limit switch	■	■	■
- gate-open warning light with proportional blink rate			■	■	
- courtesy light			■	■	
- 24 Vdc led flashing light			■	■	
PROGRAMMABLE FUNCTIONS					
Configuration of programmable functions	dip-switches and trimmers	dip-switches and trimmers	display and navigation keys	display and navigation keys	dip-switches and trimmers
Force adjustment	■ (electronics)	■ (autotransformer)	■ (electronics)	■ (electronics)	■ (autotransformer)
Approach speed			adjustable	adjustable	
Thrust on obstructions	adjustable	adjustable	adjustable	adjustable	adjustable
Stop approach			adjustable	adjustable	
Operation time	adjustable	adjustable	adjustable	adjustable	adjustable
Adjustable automatic closing time	adjustable	adjustable	adjustable	adjustable	adjustable
Compatibility with hydraulic motors			■	■	
Heavy traffic management			■	■	
Integrated datalogging (counters and recent alarm history)			■ can be viewed on display		
FW update			■ using Amigo SW and USBPROG		
SAFETY AND PROTECTION FUNCTIONS					
Emergency stop	■	■	■	■	■
Safe closing (inversion)	■	■	■	■	■
Safety Test Facility (for automatic safety devices)		■	■	■	■
ODS - Obstacle Detection System (causes the gate to stop or to reverse movement when an obstacle is detected)	■	■	■	■	■
NIO - Antifreeze system		■	■	■	■
OPTIONAL ACCESSORIES					
8.2 KΩ-resistance safety edge	■ with accessory	■ with accessory	■ with accessory	■ in opening and closing (terminal connectors already integrated in the control panel)	■ with accessory
Magnetic loop detector	■ with LAB9	■ with LAB9	■ with LAB9	■ with LAB9	■ with LAB9

400 Vac control panels



400 Vac Control panel for controlling a three-phase motor. High level of reliability thanks to **robust contacts and safety test functions**. Accessories are powered at 24 Vdc for greater safety. Removable terminal connectors facilitate cabling. The control panel in CROSS19V and CROSS30E also processes data from a temperature sensor that is built into the automation system, thereby **preventing overheating** in critical conditions. The small box which is made of plastic material is particularly well suited to outdoor installation.

Control panel compatible motors

E1T

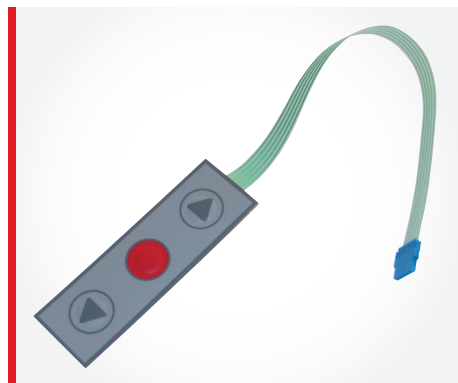
CROSS 19V - CROSS 30E

Three-phase control panel

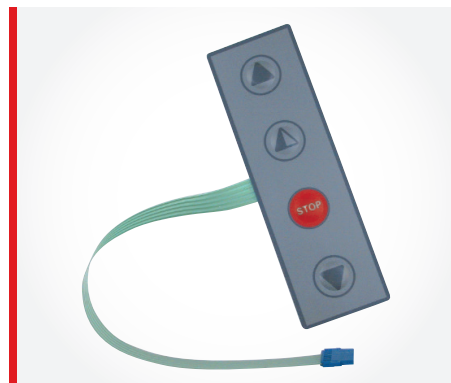
Article Code	Description of Article
NAE1T	For one three-phase 400 Vac / 6 A max motor

Specific accessories

Article Code	Description of Article
NAPT3	Optional pushbutton panel for E1A and E1T with 3 keys (open-close-stop)
NAPT4	Optional pushbutton panel for E1T with 4 keys (open-partly open-close-stop)



PT3



PT4

400 Vac control panels

Description	E1T
TECHNICAL SPECIFICATIONS	
Control panel	for 1 three-phase 400 Vac motor
Radio frequency	433,92 MHz with BIXR2 868,65 MHz with BIXPR2
Mains power supply	400 Vac - 50 Hz
Motor power supply	400 Vac - 1 x 6 A
Accessories power supply	24 Vdc - 0.5 A
Limit switch provision	■
Operating temperature	-20°C / +55°C
Control panel protection level	IP55
Control panel dimensions (mm)	187x261x105
INPUTS	
Opening control	shared with step-by-step control, selected with dip-switch
Partial opening control	■
Close control	■
Stop control	■
Step-by-step control	shared with opening control, selected via dip-switch
Hold-to-run command	■
Automatic closing contact management	■
OUTPUTS	
Flashing light	24 Vdc
Gate-open warning light (ON/OFF)	■ from limit switch
PROGRAMMABLE FUNCTIONS	
Configuration of programmable functions	dip-switches and trimmers
Adjustable automatic closing time	■
SAFETY AND PROTECTION FUNCTIONS	
Emergency stop	■
Safe closing (inversion)	■
Safety Test Facility (for automatic safety devices)	■
ODS – Obstacle Detection System (causes the gate to stop or to reverse movement when an obstacle is detected)	■ with active edge
OPTIONAL ACCESSORIES	
8.2 K Ω -resistance safety edge	■ with accessory
Magnetic loop detector	■ with LAB9

Ditec ZEN



Ditec ZEN is the new line of 2 channel and 4 channel remote controls. The transmitters are available in various colours and in two operating frequencies, 433.92 MHz or 868.35 MHz.

Each transmitter is ready to transmit using various protocols: **Ditec rolling code, fixed code, Dip Switch, and the new AES 128-bit Encrypted mode and Protected mode protocols.**

The remote control can be configured in standard mode either by means of acquisition from the receiver or by cloning pre-programmed transmitter, but further additional functionality is available thanks to the **ZENPAD programming unit and the ZEN MANAGER software**

COMPLETE RANGE 
MAXIMUM PROTECTION 
PROTECT YOUR BUSINESS 

Product range

	number of channels	frequency	capacity
ZEN2, ZEN2W, ZEN2B, ZEN2Y, ZEN2G, ZEN2R	2 Channels	433.92 MHz	50m - 150m
ZEN4, ZEN4W	4 Channels	433.92 MHz	50m - 150m
ZEN2C, ZEN4C	2 Channels - 4 Channels	433.92 MHz	50m - 150m
ZENP2, ZENP4	2 Channels - 4 Channels	868.35 MHz	50m - 150m
ZEN2MT, ZEN4MT	2 Channels - 4 Channels	433.92 MHz	50m - 150m

	Number of combinations	ZEN2, ZEN2W, ZEN2B, ZEN2Y, ZEN2G, ZEN2R ZEN4, ZEN4W, ZEN2MT, ZEN4MT	ZENP2, ZENP4	ZEN2C, ZEN4C
Compatible with MM53200	4,096			■ *
Dip-Switch	1,024	■	■	■ *
Fixed Code	4,294,967,896	■	■	■ (default)
Rolling Code	4,294,967,896	■ (default)	■ *	
AES 128-bit Encryption	340,282,366,920,938,000,000,000,000,000,000,000	■ *	■ (default)	
PROTECTED mode	340,282,366,920,938,000,000,000,000,000,000,000	■	■	

Default = factory setting (can be changed with a manual procedure or via ZENPAD)

* it is possible to change method with a simple manual procedure

Compatibility with plug-in receivers

Receivers	Dip-Switch	Fixed code	Rolling code	AES 128-bit Encryption	PROTECTED mode
BIXR2	■	■	■	■	■
BIXLR42	■	■	■		
BIXPR2	■	■	■	■	■
ZENXR2	■	■	■	■	■

Ditec ZEN

New-generation remote controls with PLL radiofrequency system and radio receivers



A new generation transmitter with an exclusive design: large pushbuttons and a rounded shape guarantee an improved user experience.

Totally compatible with existing Ditec systems

Optional wall-mounting brackets and car clip.

Complete range: 2 and 4 channel remote control units, with two available frequencies, 433.92MHz or 868.35MHz

Maximum protection: the transmitters are ready to transmit an AES 128-bit encrypted signal that is suitable for safety applications, making it impossible to clone



433 MHz rolling-code* two-channel and four-channel radio transmitter

Article Code	Description of Article
NAZEN2	2-function transmitter. Colour: black
NAZEN4	4-function transmitter. Colour: black
NAZEN2W	2-function transmitter. Colour: white
NAZEN4W	4-function transmitter. Colour: white
NAZEN2Y	2-function transmitter. Colour: yellow
NAZEN2R	2-function transmitter. Colour: red
NAZEN2G	2-function transmitter. Colour: green
NAZEN2B	2-function transmitter. Colour: blue
NAZEN2MT	2-function transmitter. Colour: black with chrome insert
NAZEN4MT	4-function transmitter. Colour: black with chrome insert

433 MHz fixed-code* 2-channel and 4-channel radio transmitter

Article Code	Description of Article
NAZEN2C	2-function transmitter. Colour: black, with white push buttons
NAZEN4C	4-function transmitter. Colour: black, with white push buttons

868 MHz AES 128-bit encryption 2-channel and 4-channel radio transmitter

Article Code	Description of Article
NAZENP2	2 function transmitter. Colour: white, with black push buttons
NAZENP4	4 function transmitter. Colour: white, with black push buttons

* = factory setting (can be changed with a manual procedure or via ZENPAD)

433 MHz self-learning receivers

Article Code	Description of Article
NABIXR2	Two-channel receiver, 12-24 Vdc, can be plugged into the control panel or card-holding base. Supplied complete with removable BIXMR2 memory module (capacity: 200 users). Compatible with BIXMR.
NABIXLR42	Four-channel receiver, 12-24 Vdc, can be plugged into the control panel or card-holding base. It can store up to 1000 codes; output operation can be configured by means of dip-switches (3 stepped/pulsed outputs + 1 timed/pulsed output). Supplied complete with removable BIXMR memory module
NAZENRS	433 MHz plug-in receiver module for control panels with built-in radio decoder. Male connector
NAGOLR	433 MHz plug-in receiver module for control panels with built-in radio decoder. Female connector
NAZENXR2	Pre-wired universal receiver 12-24 Vdc, in indoor or outdoor box. Supplied complete with removable BIXMR2 memory module (capacity: 200 users)

868 MHz self-learning receivers

Article Code	Description of Article
NABIXPR2	Two-channel receiver, 12-24 Vdc, can be plugged into the control panel or card-holding base. Supplied complete with removable BIXMR2 memory module (capacity: 200 users). Compatible with BIXMR
NAZENPRS	868 MHz plug-in receiver card for electronic panels with built-in radio decoder Male connector

Accessories

Article Code	Description of Article
NAZENSC	Wall or car clip for ZEN transmitters (not compatible with ZEN2MT and ZEN4MT)
NAZENKW2	ZEN2 Wired transmitter complete with wall bracket
NABIXMR	Push-in type memory module. Capacity: 1000 users
NACONT1	Card-holding base with casing for inside/outside fitting for 1 BIX receiver or other peripherals
NAGOL148REA	External aerial 433 and 868 MHz
NACARG58100	100 m RG58 cabling for the aerial



ZEN2 - ZEN4



ZEN2W - ZEN4W



ZEN2Y - ZEN2R - ZEN2G - ZEN2B



ZEN2MT - ZEN4MT



ZENP2 - ZENP4



ZEN2C - ZEN4C



ZENXR2



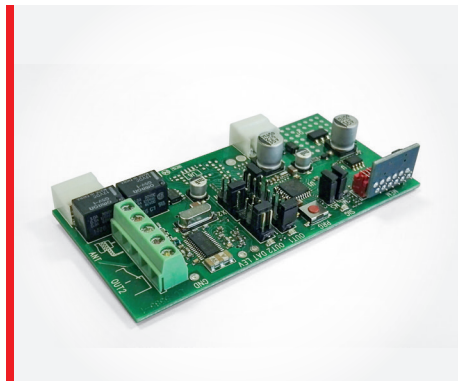
ZENRS - ZENPRS



ZENKW2



GOL148REA

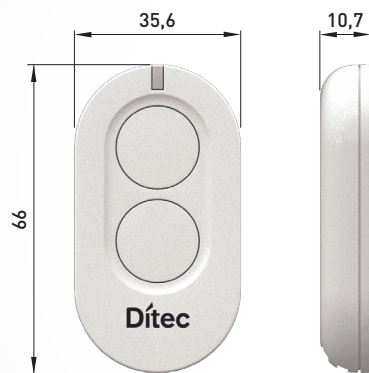


BIXR2 - BIXPR2



ZENSC

Dimensions



Ditec ZENPAD and ZEN MANAGER

USB programming unit and configuration software



Ditec ZENPAD is a USB programming unit which, thanks to the **ZEN MANAGER** dedicated software, can be used to configure Ditec ZEN transmitters and memory modules for BIXMR/BIXMR2 radio controls simply using a PC.

SYSTEM FUNCTIONS

ZEN MANAGER is a complete software that enables installation management at three levels:

Transmitter menu:

In the appropriate section it is possible to manage all the functions associated with transmitters and radio control devices

- display the factory model and code
- read the configuration
- new configuration
- restore the factory configuration
- configure a multi-protocol remote control: each key can be configured independently using a different language (fixed code, rolling code, encrypted AES 128-bit, protected mode)

Receiver menu

The following operations can be carried out for each memory module:

- check the list of authorisations of associated transmitters
- read the data and list of the transmitters with the possibility to add a new transmitter, change the channel configuration, transfer the list to an archive or a memory module (BIXMR - BIXMR2)
- backup and create a database of remote control units on a PC
- write a new list of remote controls into a memory module (BIXMR - BIXMR2)
- reset
- possibility to organize memory modules by installation to which they belong

Installation menu

Total management of each installation:

- installation information: date of installation, description, location, etc.
- display of plants on an interactive map
- registration of maintenance interventions on the plant
- possibility to generate a report in .csv format, that can be imported into excel

Protected mode, for business protection

Thanks to the ZENPAD programming unit it is possible to assign a unique installation code to a memory module that will be associated with all the remote control units that belong to such module (protected mode).

In this way it is possible to create transmitters that are already programmed and ready for use that will be added, or that will replace, or cancel, existing transmitters

SYSTEM REQUIREMENTS

- Compatibility with a Windows 8 or 10 operating system
- Framework .NET version 4.5 or later

Administrator rights are necessary to carry out the SW installation

Programming unit

Article Code	Description of Article
NAZENPAD	Programming unit for 433 MHz / 868 MHz ZEN transmitters and digital selector keypads. Rapid programming of memory modules. ZEN MANAGER is available in the download area of www.ditecautomations.com site.

System architecture



Dimensions



Digital selector switches and keypads



AXK4 (433.92 MHz) and **AXK4P** (868.35 MHz) are digital radio keypads for the automation control via 4 customizable numeric codes. Two power supply options: with 9 VDC battery or via 24 VDC control panel connection. Configurable via pushbuttons keypad or ZEN Pad and ZEN MANAGER. Back-lit keyboard and integrated light for status signals.

Key-operated selector switch on wall (**AXK5M**) and semi-recessed (**AXK5I**) with European cylinder. Burglar-proof with metal body, microswitches electrical contacts protected by a metal container, semi-recessed version compatible with standard \varnothing 57 mm boxes. Version without cylinder available.

Digital selector keypads

Article Code	Description of Article
NAAXK4	Digital radio keypad with 4 customizable numeric codes. Version 433.92 MHz. Powered by 9 Vdc battery or by connection to 24 Vdc electronic control panel. Configurable via keys or ZEN Pad. Compatible with Ditec radio protocols: fixed code, rolling code, Encrypted AES-128 bit, PROTECTED Mode
NAAXK4P	Digital radio keypad with 4 customizable numeric codes. Version 868.35 MHz. Powered by 9 Vdc battery or by connection to 24 Vdc electronic control panel. Configurable via keys or ZEN Pad. Compatible with Ditec radio protocols: fixed code, rolling code, Encrypted AES-128 bit, PROTECTED Mode

Key-operated selector switches

Article Code	Description of Article
NAAXK5M	Key-operated selector switch on wall with European cylinder. Burglar-proof with metal body. Microswitch double electrical contact
NAAXK5I	Key-operated selector switch semi-recessed with European cylinder. Burglar-proof with metal body. Compatible with standard 57 mm diameter boxes. Microswitch double electrical contact
NAAXK5NM	Key-operated selector switch on wall without European cylinder. Burglar-proof with metal body. Microswitch double electrical contact
NAAXK5NI	Key-operated selector switch semi-recessed without European cylinder. Burglar-proof with metal body. Compatible with standard 57 mm diameter boxes. Microswitch double electrical contact

Pushbutton panel

Article Code	Description of Article
NAPB3	Optional control pushbutton panel on a wall mounted casing, with three buttons (Open - Stop - Close)

Vertical mounting and base for fixing

Article Code	Description of Article
NAAXC50	Vertical mounting for outdoors in die-cast aluminium, height 500 mm
NAAXC100	Vertical mounting for outdoors in die-cast aluminium, height 1000 mm. Lens included in the package to install added photocell (LIN2 type)
NAAXCBS	Base for fixing for AXC vertical mounting

Compatible with photocells, semi-recessed key-operated selectors, 4-channel digital radio keypad, RFID proximity reader



AXK4 - AXK4P



AXK5M



AXK5I



AXK5NM



PB3



AXC50 - AXC100 - AXCBS



Secure Virtual Access (SVA) is the Ditec system to easily manage entrances via Bluetooth.

SVA enables credentials that give users permanent or occasional access, according to configurable time bands and modifiable at any time.

The system includes:

- a **plug-in card** compatible with the accessory slot of the Ditec control panels (code MOBCRE)
- an **app** for smartphones
- an **access credential system** (codes MOBOK and MOBGK5)

ENCRYPTED PROTECTION 

EASY TO INSTALL 

ACCESS CREDENTIALS 

ENCRYPTED PROTECTION

- SHA-2 is the encryption algorithm used to transmit the data with authenticated certificates
- Bluetooth™ 4.0 protocol
- all transactions are protected by two authentication stages
- the Cloud stores only half access key; the other half is kept on a smartphone
- system used also in the banking security and alarm system fields

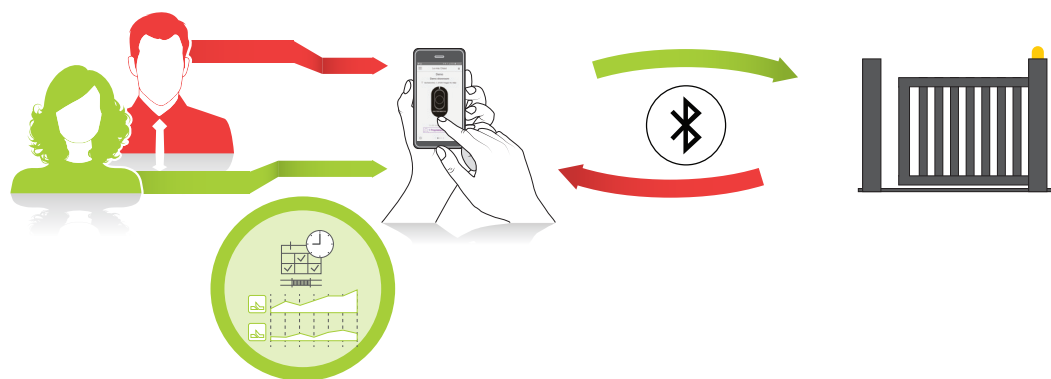
EASY TO USE

SEVERAL TYPES OF USER

ADMINISTRATOR: defined by the installer after activation of the card. Manages the credentials and the Bluetooth (MOBCRE) units: defines the owners, enables/disables Bluetooth units, enables owners to invite guests, receives notifications when an owner invites guests

OWNER: controls the automation via Bluetooth smartphone with no limits. The owner credential has no expiry

GUEST: invited by the owner to use the system, may have access limitations. The guest key package is valid for one year



AUTHORISATION AND ACCESS LIMITATIONS

The owner can configure guest user accesses with complete freedom:

- enables/disables the guest at any time
- defines a date and time bands for access: the owner sets days and times in which the guest can enter, defining check in-out periods or setting daily or weekly routines (e.g. every Wednesday of the month)
- entryphone: the guest can never enter autonomously. The guest will have to ask for permission from the owner every time he wants to enter. The owner will receive a notification with the request. If he accepts the request, the guest will have free access
- just one time: the guest will enter the system only once

Plug in card

Article Code	Description of Article
NAMOBCRE	Plug-in card for Bluetooth control, using the smartphone app and the access credential management. The package includes an activation code for the installer, 1 OWNER key and 5 time-limited GUEST keys built into the app

Owner and guest credentials

Article Code	Description of Article
NAMOBOK	Owner key. 1 code to add one OWNER key to the system. Unlimited duration
NAMOBGK5	Guest package. 1 code for adding 5 GUEST keys to the system. Valid for 1 year from the activation of the first key



MOBCRE



MOBOK



MOBGK5

Transponder proximity control system



Ditec AXR7 is a control system that uses transponder RFID technology that enables reading and recognition of a coded button or card by proximity or swiping.

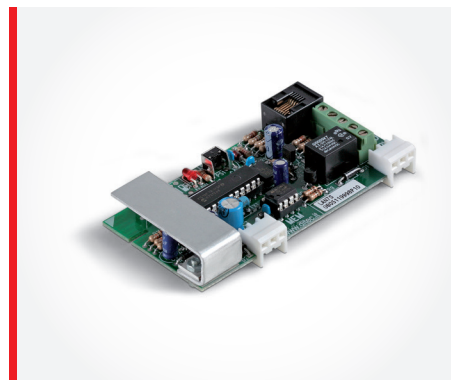
The coded information is electromagnetically exchanged. Codes are saved in the memory using a simplified learning procedure. AXR7 can be installed on a wall or on an AXC100 anodised aluminium column.

Transponder proximity control system

Article Code	Description of Article
NA AXR7	RFID transponder proximity selector. For external mounting. Maximum reading distance with ISO cards: 60 mm. Max reading distance with button: 30 mm
NA LAN7S	Microprocessor PCB decoder, able to control 1 or 2 AXR7 units Output contact: 1 N.O. contact - Memory size: 508 codes Power supply: 24 Vdc - Power input (with 1 AXR7): 100 mA LAN7S - AXR7 max. connection distance: 100 m
NA LAN7K	Single PIN button
NA LAN7B	ISO card, with single code, white (printing on card carried out by customer)
NA CONT1	Card-holding base with casing for inside/outside fitting designed to hold 1 LAN7S card or other peripherals



AXR7



LAN7S

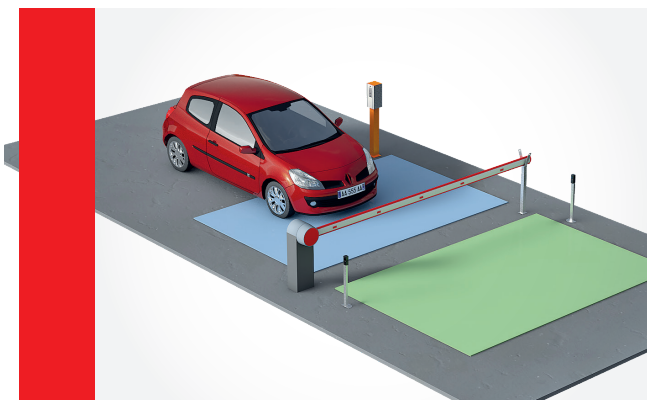


LAN7K - LAN7B



CONT1

Magnetic-loop inductive detector, and token-based control device



The **Ditec LAB9** magnetic loop detector starts up the opening process of an automatic access system: it detects the passage or the presence of vehicles above the magnetic loop that is located in the ground, causing a **change of inductance with the resulting activation of the opening command of the automation system.**

Ditec LAN60, the practical token-operated control device, is a **coded-print token-operated system**: by inserting a token in the appropriate slot the system checks the code, the size and the weight. When a token is recognised, it is channelled along a path closing an electrical contact and activating an external electrical circuit. The token is collected in a container that is only accessible with a coded key. Unrecognised tokens are automatically rejected and returned.

The mechanism is also equipped with an anti-tampering device. This device is suited for simple access/exit control.

Magnetic loop inductive detector

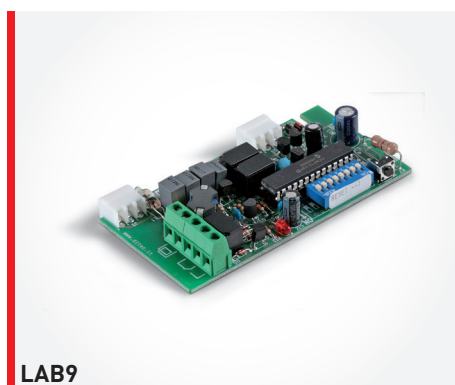
Article Code	Description of Article
NALAB9	24 Vdc plug-in single magnetic-loop inductive detector for entrance control, complete with: self-calibrating system, automatic sensitivity booster, various selectable operational frequencies
NACONT1	Card-holding base with enclosure for inside/outside fitting for 1 LAB9 card or other peripherals

Token-operated control system

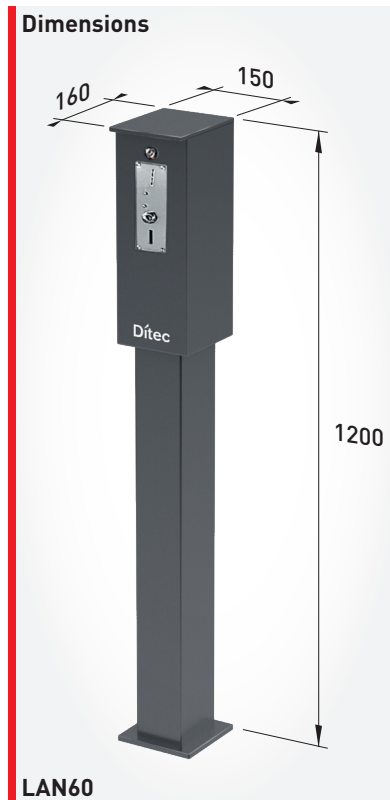
Article Code	Description of Article
NALAN60	Coded-print token-operated system aluminium body containing token box and token-holder tray sheet metal cover and supporting column painted with RAL 9007 colour Complete with base and fixing support feet. Dim. 1.2 m x 150 mm x 160 mm
NALAN60K	Coded print token for LAN60



LAN60K



LAB9



LAN60



Ditec AXP2, LIN2 e LAB4 are safety devices using modulated infra-red ray. These devices which operate on a double relay system, are compliant with the most stringent technical standards as required by applicable regulations. They are reliable over time and simple to install thanks to a different design that adapts to all types of installation:

- photocell AXP2 aesthetically matches the other control devices.
- photocell LIN2 with 3-positions orientable card is particularly suited for small vertical mountings and installations within a passageway thanks to its limited dimensions.
- photocell LAB4 is ideal for industrial applications. Version with a battery-operated transmitter

AX photocells and accessories

Article Code	Description of Article
NAAXP2	Pair of photocells for outside fitting Max. capacity: 30 m - power supply: 24 Vdc / 24 Vac
NAAXC50	Vertical mounting for outdoors in die-cast aluminium, height 500 mm
NAAXC100	Vertical mounting for outdoors in die-cast aluminium, height 1000 mm. Lens included in the package to install added photocell (LIN2 type)
NAAXCBS	Base for fixing for AXC vertical mounting

Compatible with photocells, semi-recessed key-operated selectors, 4-channel digital radio keypad, RFID proximity reader

LIN photocells

Article Code	Description of Article
NALIN2	Pair of slim photocells for outside fitting - with card that can be oriented in three positions. Max. capacity: 30 m - Power supply: 24 Vdc / 24 Vac
NALIN2B	Pair of slim battery photocells for outside fitting - with card that can be oriented in three positions. Max. capacity: 20 m. Power supply: battery (included)
NALINCB	Anodised aluminium vertical mounting 0.5 m for LIN2 and LIN2B
NALINBS	Base for LINCB

LAB photocells

Article Code	Description of Article
NALAB4	Pair of photocells for outside fitting - can be installed on the side. Max. capacity: 30 m - Power supply: 24 Vdc / 24 Vac IP 55 protection level
NALAB4S	Pair of photocells for outside fitting - can be installed on the side. Max. capacity: 20 m - Power supply: battery (included) IP 55 protection level



AXC50 - AXCBS



AXC100 - AXCBS

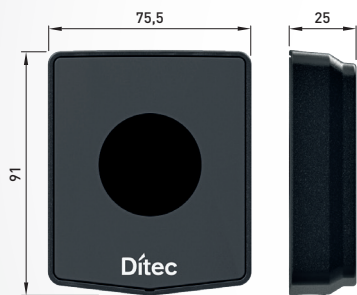


LINCB

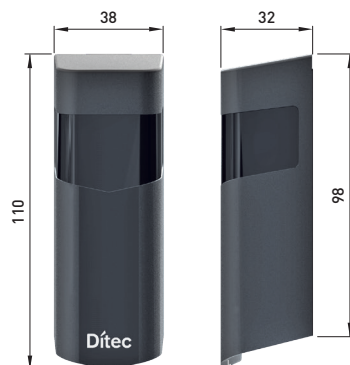


LINBS

Dimensions



AXP2



LIN2 - LIN2B



LAB4 - LAB4S

Flashing lights



Ditec FL is the line of flashing lights with a card-integrated LED. Suitably configured, they can communicate automation-system movement or when a specific maintenance threshold is reached (with the last generation LCU control panels or as integrated in NEOS and TOP). Available in two versions, **one multi-voltage version with the flashing function that can be selected via jumper and a 24 Vdc version**, they come complete with 4 coloured tubes to customize notifications (white, blue, green, yellow, orange). With appropriate mountings it is possible to install them on a wall or on small vertical columns (7cm). Thanks to their refined design and their reduced dimensions they can be adapted to any type of installation.

Flashing lights

Article Code	Description of Article
NAFLM	Multi-voltage flashing light for 24 Vdc - 120 Vac - 230 Vac with programmable flashing function. IP44 protection level (coloured tubes included in the packaging)
NAFL24	24 Vdc flashing light with flashing controlled by the electronic control panel - IP44 protection level (coloured tubes included in the packaging)
NAFLSP	Wall mounting kit and flashing light stand

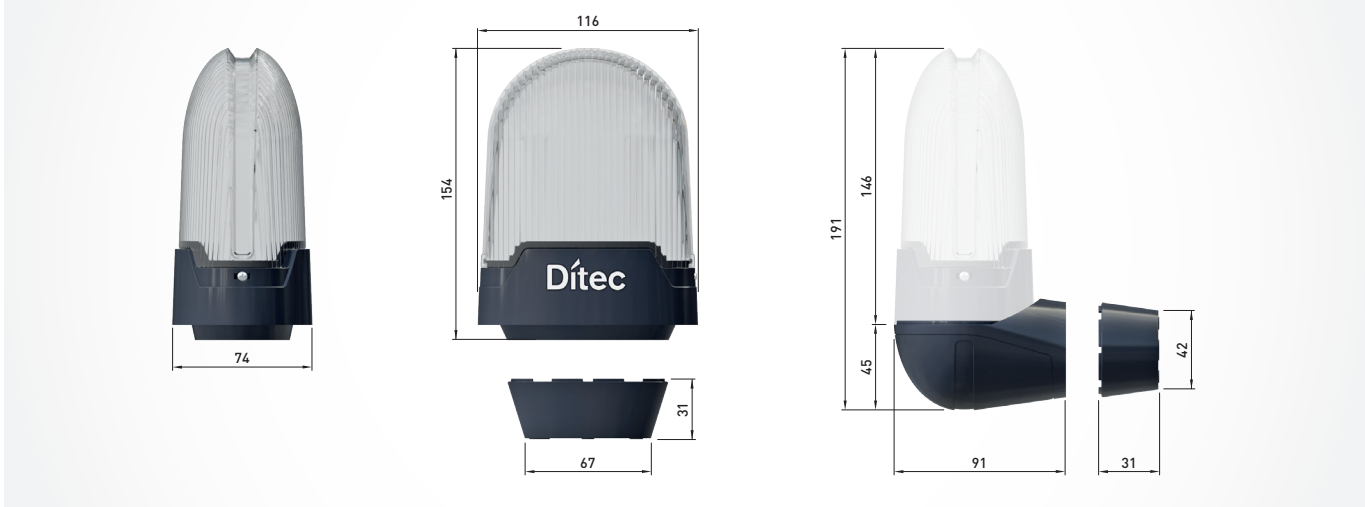


FLM - FL24



FLSP

Dimensions



Passive safety edges and microswitch active edge



Passive safety edges available in a preassembled version or to be assembled. Preassembled **flush active edge** with mechanical contact and redundant microswitches. Does not require a control card but can be connected directly to the NC contact of the control panel.

PREASSEMBLED PASSIVE EDGE AND ACTIVE EDGE - READY FOR USE

Passive, H = 70 mm

Article Code	Description of Article
NASOFAP20	Preassembled safety passive edge - L = 2000 mm

Flush, with mechanical contact, H = 75 mm

Article Code	Description of Article
NASOF3M20	Flush active edge with mechanical contact and redundant microswitches L = 2000 mm

PASSIVE EDGES TO BE ASSEMBLED

Passive, H = 30 mm

Article Code	Description of Article
NARHIPBG50	Rubber profile for passive safety edge (50 m roll)
NAVCSOBAN20	Aluminium profile for passive safety edge (2 m bar)
NAHIPBTA	Rubber cap for passive safety edge



SOFAP20



SOF3M20

Active safety edges automatically tested by controlling devices



Complete line of resistive active edges 8.2 K Ω available in various thicknesses and lengths, preassembled and to be assembled.

Suitably installed, safety edges are used to eliminate the risk of shearing or crushing as they **immediately block or invert any wing movement automatically**.

There are two types of resistive active edges available: a micromechanical method that is activated by the tension of a wire and a method based on internal conductive blades with high-efficiency physical contact

The plug-in or 868 MHz radio connected control devices guarantee reliability and intrinsic safety against any type of fault (e.g. damage or a short circuit) to the extent of achieving the certification of SOFA and SOFB active edges in category 2 of the EN 954-1 standard.

SELF-TESTING, 8.2 K Ω RESISTIVE SAFETY EDGES - PREASSEMBLED, READY FOR USE

Active and flush with mechanical contact, H = 75 mm

Article Code	Description of Article
NASOF2M20	Preassembled resistive active edge flush with mechanical contact L = 2000 m

Active, permanent distance with high-efficiency physical contact, H = 80 mm

Article Code	Description of Article
NASOFA15	Preassembled active resistive edge L = 1500 mm
NASOFA20	Preassembled active resistive edge L = 2000 mm
NASOFA25	Preassembled active resistive edge L = 2500 mm

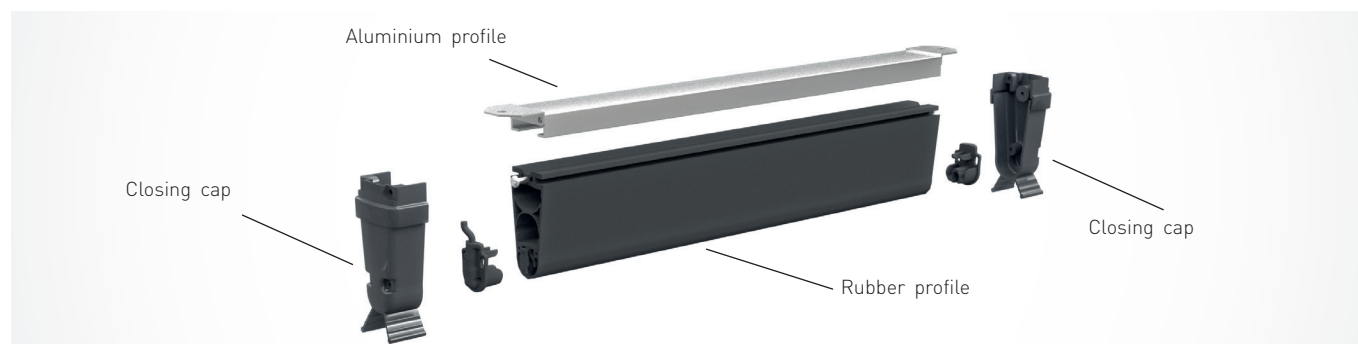
Active, permanent distance with high-efficiency physical contact, H = 120 mm

Article Code	Description of Article
NASOFB20	Preassembled active resistive edge L = 2000 mm

SELF-TESTING, 8.2 K Ω RESISTIVE SAFETY EDGES - TO BE ASSEMBLED

Active, permanent distance with high-efficiency physical contact, H = 80 mm

Article Code	Description of Article
NAVGR505045	Active rubber profile for assembling SOFA edges, L = 4.5 m
NAV2481N60	Active aluminium profile for assembling SOFA edges, L = 6 m
NASOFTA	Set for SOFA edge, H= 80 mm including: sealed closing cap complete with cabling and terminal closing cap with an 8.2 K Ω resistance
NASOFTC	SOFA edge connecting cabling - L = 5000 mm



CONTROL DEVICE FOR SOF2M, SOFA, SOFB ACTIVE EDGE

Plug-in electronic control cards with a wire connection

Article Code	Description of Article
NASOFA1	Single-channel electronic control PCB for safety edge
NASOFA2	Two-channel electronic control PCB for safety edge
NACONT1	Card-holding base with casing to be internally or externally installed to insert 1 SOFA1 or SOFA2 PCB

868 MHz radio transmission system for the transmission of safety signals*

Article Code	Description of Article
NAGOPAVR	Fixed, double-function transceiver unit for monitoring fixed edges or moving edges, in conjunction with one or more GOPAVT mobile units (max. 10)
NAGOPAVT	Mobile battery-driven transceiver unit, double function for monitoring moving edges
NAGOPAVRS	Plug-in, double function transceiver unit for monitoring fixed edges or moving edges, in conjunction with one or more GOPAVT mobile units (max. 10)

* as an alternative to the SOFA1 / SOFA2 electronic control card



SOFA20 + cabling



SOFB20 + cabling



SOFA1 + CONT1



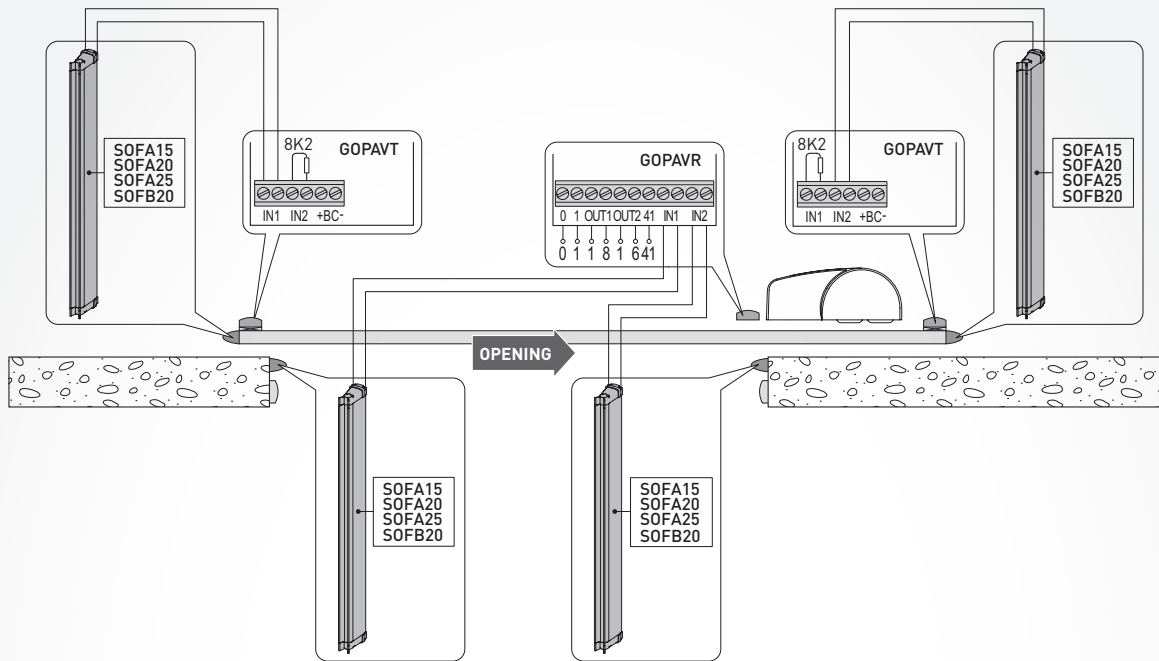
SOFA2 + CONT1



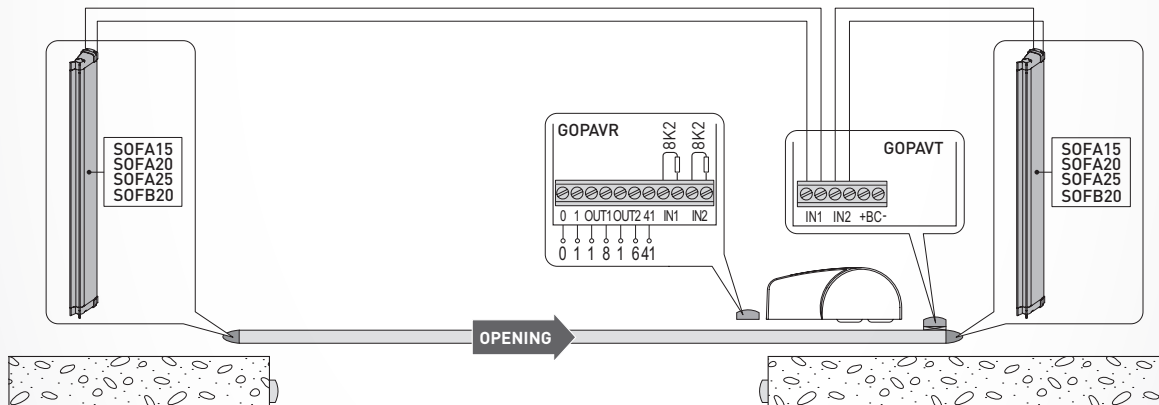
GOPAVR - GOPAVT

Ditec GOPAV - Typical configuration

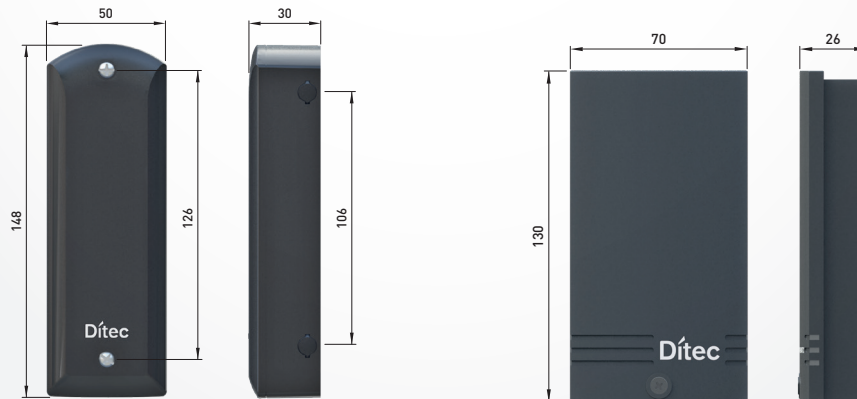
GOPAV system on sliding gate with moving and fixed safety edges



GOPAV system on sliding gate with moving safety edges



Dimensions



GOPAVT - GOPAVR

CONT1



Ditec offers its customers some tools that, during installation, facilitate the configuration and updating of devices.

USBPROG: micro-USB interface to update Ditec control panels

PWRMI: installation mounting tool for electromechanical actuators

ZENPAD: programming unit for 433 MHz / 868 MHz ZEN transmitters

Control panel update interface

Article Code	Description of Article
NA USBPROG	Micro-USB interface to update Ditec control panels. Compatibility with: LCU30H, CS12E, LCU48, LCA70, LCA80. It uses SW Amigo, available for free in the download area of www.ditecautomations.com site

Installation mounting tool

Article Code	Description of Article
NA PWRMI	Installation mounting tool for electromechanical actuators

Programming unit

Article Code	Description of Article
NA ZENPAD	Programming unit for 433 MHz / 868 MHz ZEN transmitters Rapid programming of memory modules. ZEN MANAGER is available for free in the download area of www.ditecautomations.com site



USBPROG



PWRMI



ZENPAD



06

CONNECTIVITY SOLUTIONS

Entrematic Smart Connect

Entrematic Smart Connect



Entrematic Smart Connect is the new system to manage entrances via App or PC, remotely or locally.

The hub, mounted close to the garage or gate operator, is the core of the system. Thanks to the Wi-Fi 2.4 GHz it can be connected to a WLAN, alternatively to a LAN using a USB/Ethernet adapter and it can control up to 3 operators. Wireless sensors send the status of the access: open, close, left open, obstruction. By integrating the indoor-outdoor Wi-Fi-Ethernet Camera, it is possible to view HD real time video while managing the access. **The system is not only perfect for new installation but also ideal for retrofit market.**

UNIVERSAL 
REMOTE & VOICE CONTROL 
EASY TO INSTALL 

Kit with tilt sensor

Article Code	Description of Article
NEESCWT	Set contains 1 Entrematic Smart Connect Hub and 1 tilt sensor

Kit with magnetic sensor

Article Code	Description of Article
NEESCWM	Set contains 1 Entrematic Smart Connect Hub and 1 magnetic sensor

Wireless tilt sensor

Article Code	Description of Article
NEWTILT	Additional wireless tilt sensor with temperature sensor. Recommended for sectional door and up-and-over door. Waterproof IP65, battery included

Wireless magnetic sensor

Article Code	Description of Article
NEWMAGN	Additional wireless magnetic sensor with temperature sensor. Recommended for sliding gate, swing gate, folding gate, side sectional door, roller door, swing door. Waterproof IP65, battery included

Indoor & Outdoor Camera

Article Code	Description of Article
NEIPCAM1	Mini bullet Indoor & Outdoor camera, waterproof IP66, HD 720p, H.264 Video compression, day/night with infrared LED, motion detector, IR range 20 m. Connections: Wi-Fi 802.11 b/g/n and Ethernet port, external speaker output and external microphone input

Entrematic Smart Connect App

App to configure and control Entrematic Smart Connect system. For free on PLAY store (for Android phone) and App store (for iOS)

Entrematic CAM App

App to configure and control Entrematic Indoor & Outdoor Cameras. For free on PLAY store (for Android phone) and App store (for iOS)



ESCWT



ESCWM



WTILT



WMAGN



IPCAM1



App Entrematic Smart Connect



App Entrematic CAM

Quantity per pallet

Article code	Pallet [pieces]
ARCBH	35
ARC1BH	35
BOX3H	30
CROSSCRI	500
CROSS18	14
CROSS18E	14
CROSS18VE	14
CROSS19V	14
CR4N4	500
CR4N6	500
CUBIC6	36
CUBIC6C	20
CUBIC6H	36
CUBIC6HV	36
DITCBC	20
DITCB230PL	8
DITCB230PLS	8
DITCB24L	8
DITCB24LS	8
DITION4L	20
DITION4LS	20
DITION6L	20
DITION6LS	20
DITPWR25HL	9
DITPWR25HLS	9
DITPWR35HL	9
DITPWR35HLE	9
DITPWR35HLS	9
DITS35L	20
DITS35LS	20
DIT400NESL	16
DIT400NESLP	16
DIT400NESLS	16
DIT600NESL	16
DIT600NESLP	16
DIT600NESLS	16
DOD14	30
DOITBXL	30
DOITDD1	12
DOITFCL	8
DOITFCLS	8

Article code	Pallet [pieces]
DOR1BH	35
DOR1BHS	35
FACIL3EH	16
FACIL3H	16
ION4	20
ION4J	20
ION6	20
ION6J	20
K2TS35AC	20
NES400EH	16
NES400EHP	16
NES600EH	16
NES600EHP	16
NES600EHSF	16
NES600EHSFJ	16
NES1000EHP	16
NES1000EHPJ	16
PWR25H	36
PWR35H	36
PWR50AC	36
PWR50H	36
PWR50HR	36
PWR50HV	36
QIKY7EH	9
QIK7EH	9
QIK7EHJ	9
QIK80EH	4
ZENP2	500
ZENP4	500
ZEN2	500
ZEN2B	500
ZEN2C	500
ZEN2G	500
ZEN2MT	160
ZEN2R	500
ZEN2W	500
ZEN2Y	500
ZEN4	500
ZEN4C	500
ZEN4MT	160
ZEN4W	500

GENERAL TERMS AND CONDITIONS OF SALE

1. Introduction

1.1 These general terms of sale ("**Terms of Sale**") govern the relationship between Ditec SpA, with registered office in Milan, Via Vittor Pisani, 20, Tax Code and VAT number 00360610125, and the customer (respectively "**Ditec**" and the "**Customer**"). Unless otherwise agreed in writing between the parties, these Terms of Sale supersede and prevail over any prior agreement, proposal or agreement, both written and oral, between the parties, including, but not limited to, any terms and conditions of the Customer.

2. Purchase Orders

2.1 The purchase order ("**Order/s**") submitted by the Customer to Ditec has the nature of irrevocable contract proposal with binding effect on the customer until the date indicated on the Order confirmation (sent by Ditec in writing by letter, fax or e-mail) and indicating the expected date of consignment.

2.2 Unless otherwise agreed, the estimate submitted by Ditec to the Customer will be valid for 30 (thirty) days from their issue ("**Estimate/s**"). The acceptance of the Estimate by the Customer, received by Ditec within the said period, involves the issuance of an order having the same nature referred to in point 2.1. The Order issued on the basis of an Estimate will constitute full acceptance of the Estimate in all its terms and conditions and any reduction or increase of the supply, being subject matter of the Estimate, will be valid if expressly indicated in the Order.

2.3 The signing of the Order by the Customer constitutes an express, full and unconditional agreement to these Terms of Sale, without prejudice to any different agreement executed in writing between Ditec and the Customer.

2.4 Any advance payments made by the Customer shall be deemed paid as a deposit, guaranteeing all obligations of the Customer under these Terms of Sale; the acceptance of the said deposit by Ditec shall not be regarded as acceptance of the order.

2.5 The Order is binding on Ditec exclusively upon express acceptance by this latter of the content of the Order. Ditec's acceptance shall be sent to the Customer within the period of effectiveness of the proposal referred to in point 2.1 above and by means of a written confirmation of the Order, sent by Ditec by letter, fax or e-mail.

2.6 In the event of non-acceptance in writing, the execution of orders by Ditec, within the period of effectiveness of the proposal referred to in point 2.1 above, shall be regarded, in any case, as tacit acceptance of Orders received.

3. Prices

3.1 The sales prices of the products are those resulting from the official price list of Ditec in force at the date of the submission of the Order ("**Price List**") and they are net of value added tax and of any additional tax. The Price List shall be the reference basis for any commercial negotiation. The total amount of the Order calculated on the basis of the Price List determines the value of the Price List, to be taken as reference basis for the application of any discount.

3.2 In the case of an Order issued on the basis of an Estimate, the price of supply will be equal to the price indicated in the Estimate.

3.3 Any discount on the price of supply may be granted by Ditec to the Customer on the basis of arrangements separately agreed with the Customer.

4. Delivery

4.1 Unless otherwise agreed between Ditec and the Customer, the delivery of the products, subject to the Order, is made EX WORKS at warehouses indicated by Ditec on the confirmation Order ("**Delivery Terms**"). The products are made available to the customer in the standard packaging provided by Ditec. The property of the products ordered and the risk of loss or damage to them shall pass to the Customer at the time of the receipt at the place of delivery specified in the Order and in accordance with the agreed Delivery Time.

4.2 The deadline for the collection of products will be indicated by Ditec in the acceptance of the Order.

4.3 If the Customer fails to collect the goods at the date indicated by Ditec in the acceptance of the Order, it will be liable vis-à-vis Ditec for any loss resulting from such failure or refusal. In case of failure to collect the products persisted for more than seven (7) days starting from the scheduled day for the collection, Ditec reserves the right to cancel, in whole or in part, the Order, or the right to terminate the entire supply pursuant to Article 1456 of the Civil Code and to ask, in both cases, compensation for damage.

4.4 At the time of the taking over and collection of the products, the Customer, in the exercise of its ordinary business activity, but without undue delay, is required to check on the identity, quantity, integrity and appearance of products and to report to Ditec any apparent deviations or defects. Deviations or defects that were not immediately identified at the time of inspection shall be notified to Ditec at the time of their discovery and, anyway, within the legal deadlines.

5. Testing

5.1 The testing of the products of the Order shall be carried out by the Customer at its own costs and responsibility. With reference to the type of product purchased, the testing carried out by the Customer shall be as specified in the technical drawings or in the testing specifications drafted and provided by Ditec.

6. Warranty

6.1 Ditec provides the legal product warranty.

6.2 In the case of proven material defects of products of an Order, and only to the extent that they are covered by the legal warranty and in accordance with the terms and conditions set forth therein, Ditec will, as appropriate and solely for the benefit of the Customer, replace the defective product or refund the price paid for the same.

6.3 The claim under warranty will be accepted exclusively upon occurrence of all the conditions set out below:

- the presence of the defect is verified and confirmed in writing by Ditec;

- the Customer and/or end user must not have used the product or performed and/or attempted to perform any corrective action of the defect without the express written approval of Ditec;
- the Customer and/or end user must not have - with, also ordinary, negligence - stored and/or transported the product and must have correctly applied all provisions provided by the accompanying documents, including security documents, technical documents etc., made available to them;
- the defect is not due to the Customer and/or the end user's behaviour;
- the product has been duly paid within the time specified in the invoice.

7. Returns and replacements

7.1 Ditec does not accept returns and/or replacements of the purchased products, unless differently agreed in writing with the Customer. It is understood that in the event of a return or replacement, shipment costs will be entirely charged to the Customer and the product shall be returned in optimum condition and in its standard packages supplied by Ditec at the time of collection, Ditec reserving the right to charge, anyway, to the Customer the price of the products that are damaged. The quantity of the products returned and/or replaced shall be analytically shown in the related shipment document together with the relevant tax document.

8. Invoicing and payment

8.1 Ditec will issue the invoice concerning a certain Order according to the trade agreements with the Customer and as indicated in the acceptance of the Order. All invoices will refer to the related Order and will include the information required by law.

8.2 The Customer shall pay the purchase price of the products subject to the Order within the deadline provided by the invoice, by bank transfer to the bank account details communicated by Ditec. The Customer may not withhold any part of the price as offset, counterclaim or for any other reason.

8.3 The Customer being in delay in payments will be considered in breach and will be charged with interest in accordance with Legislative Decree n. 231/2002, without the need for formal notice, starting from the date the invoice is due until actual payment, without prejudice to the right of Ditec to recover expenses incurred and to demand the compensation for damage.

8.4 In the event of non-payment persisted by the Customer for more than 7 (seven) days after the expiration of the deadline specified in Ditec's invoice, the latter reserves the right to terminate the contract under the Order pursuant to Article 1456 of the Civil Code, without prejudice to compensation for any damage.

9. Drawings and technical documentation

9.1 Drawings and technical specifications of the products subject to the Order are of the exclusive property of Ditec and cannot be reproduced, copied or distributed for any reason. Drawings and technical documents relating to the products or their manufacture, installation or technical verification will not be used - without Ditec's written consent - for purposes other than the ones for which they have been supplied. Without Ditec's consent, the same drawings and documents cannot be otherwise used or copied, reproduced, sent or communicated to third parties or used for the manufacture, design or any other unauthorized purpose, unless expressly accepted by Ditec.

9.2 Ditec reserves the right to make at any time any necessary changes to the drawings and technical documents supplied along with the products.

9.3 Usage limits refer to use with maximum load under standard conditions. Recommended load is approximately 2/3 of maximum load.

10. Intellectual and/or industrial property rights

10.1 The industrial and/or intellectual property rights such as trademarks, logos, patents, signs, whether registered or not, affixed to the products and to all their explanation documents, manuals, technical specifications and other information supplied by Ditec along with the products or in relation to them, shall remain of the exclusive property of Ditec and/or of the relevant owners.

10.2 The Customer will be obliged to indemnify Ditec in respect of any damage, claim, cost and expenses that it may suffer and/or incur as a result of any breach and/or alleged breach by the Customer of patents, trademarks, logos, copyrights, industrial designs, registered and unregistered, and/or any other intellectual and/or industrial property rights.

11. Liability

11.1 The Customer undertakes to use the products purchased from Ditec in accordance with their intended use and to comply with all the rules and procedures of use provided by the technical documentation supplied by Ditec. Ditec will not in any way be liable for defaults, direct and/or indirect damages and losses suffered by the Customer, including its employees, collaborators and/or successors in title, due to injuries, death and/or property damage arising from the use of the products. Under no circumstances Ditec will be liable for damages caused to the Customer itself or to others by negligence, carelessness or inexperience of the Customer after the delivery of the products.

11.2 To this purpose, the Customer declares and agrees to guarantee, indemnify and hold harmless Ditec (including parent companies, subsidiaries, related companies, branches and affiliated companies, their successors in title and assignee), in respect of any claims, costs, lawsuits, proceedings, action, liability, loss, expense, order, decree, rights and legal fees, court costs, including damages of any kind deriving, connected or arising from any actual or alleged personal injury (including death), damage to property or loss of any kind that are assumed to be caused by the use incorrect and/or non-compliant of the products.

12. Force Majeure

12.1 Ditec will not be deemed in default and/or liable vis-a-vis the Customer if it does not perform or delay the delivery of the products as a result of an event beyond its reasonable control, including, but not limited to, strikes, conflicts between employers and employees, fires, floods, natural events, wars, insurrections, vandalisms, sabotage, invasions, insurrections, national emergencies, piracy, hijacking, acts of terrorism, embargoes or restrictions, extreme weather or traffic conditions, temporary closures of roads, laws, regulations, orders or other government's acts or government agencies' acts.

13. Organizational Model pursuant to Italian Legislative Decree no. N. 231/2001 and Ditec's code of conduct

13.1 The Customer declares to have read and to know the content and obligations referred to in the organizational and management model pursuant to Italian Legislative Decree no. n. 231/2001 and in the code of conduct adopted by Ditec and undertakes, also on behalf of its employees and/or collaborators and its affiliated companies, to observe and to comply with – and to cause compliance with - the rules, the procedures and the principles contained in the mentioned documents, as well as to the law provisions relating to anti-bribery, sanctions and export controls.

A copy of the Code of Conduct can be requested at any time to our sales representatives or to our Customer Service.

The Customer also declares and guarantees that neither the Customer itself nor its affiliated companies nor any of its employees/collaborators/directors, is or is owned/controlled by any person subject to the sanctions or export controls of United Nations, United States of America and/or European Union or any other governmental authority and that, in any case, it will not be engaged in any commercial relationship involving these entities and will promptly inform Ditec of any breach of the foregoing, as soon as it becomes aware of it.

13.2 In case of non-compliance by the Customer with the law or with Ditec's Organizational Model and Code of Conduct and, in general, with the provision under point 13.1, Ditec will be entitled to suspend the execution of the contract and to terminate the contract under these Terms of Sale pursuant to article 1456 of the Civil Code, without any prejudice to the right to ask for compensation for damages arising from the breach.

14. Changes of the Terms of Sale

14.1 These Terms of Sale may be amended by Ditec also depending on any changes in applicable legislation. The Terms of Sale, as amended, will become an integral part of the relationship between Ditec and the Customer as a result of the acceptance of them upon submission of the first Order following the amendment itself.

15. Duration

15.1 These Terms of Sale, without prejudice to what described in point 14.1 above, have an indefinite duration and shall be applied to all the Orders submitted by Customer.

16. Partial invalidity

16.1 The eventual invalidity or unenforceability of a single clause in these Terms of Sale shall not affect or invalidate any other provision provided herein and both parties undertake here and now to replace the term recognized as invalid or ineffective with another term which has, as far as possible, the same or similar effects.

17. Personal data protection

Pursuant to Article 13 of Legislative Decree no. 196/2003, Ditec, as data controller, informs the Customer that the personal data ("**Data**") collected simultaneously with the forwarding of the Orders will be processed for the purpose of the execution by Ditec of the activities necessary to the conclusion, management and execution of the Orders and, in general, for the purpose of the proper performance of the supply contract with the Customer, as well as for the purpose strictly connected and/or necessary to the satisfaction of the requests made from time to time by the Customer and for the fulfillment of the obligations provided by laws, regulations and European legislation, as well as provisions given by authorities legally empowered to do that or by vigilance and control's bodies.

With reference to the above purposes, the processing of Data will be carried out by manual and computerized instruments, in a way strictly linked to such purposes and for the time necessary to fulfill them, as well as, in any case, in a way able to ensure the security and confidentiality of Data through proper procedures that avoid the risk of loss, unauthorized access, improper use and dissemination of Data. In this regard it should be noted that the collection of the Data is required in order to fulfill the above purposes with the result that, in such circumstances, any refusal of provision of Data will make it impossible for Ditec itself to meet the demands or the choices of Customers.

For the offer of certain services and/or for the performance of certain activities, the processing of Data is carried out both by Ditec directly and by parties external to it, in their quality as data processors and/or data handlers, to whom the Data can be communicated to fulfill the purposes outlined above and in particular to companies belonging to the Group of Ditec (parent, subsidiary and related companies, even indirectly, pursuant to the applicable provisions).

In accordance with Article 7, Italian Legislative Decree no. 196/2003, the Customer may obtain from the data controller or from the data processor the confirmation of the existence or not of their personal Data and that such Data are made available to it in an intelligible form. The Customer can also request to know the origin of Data and the purposes on which the processing is based; to obtain the cancellation, the transformation into anonymous form or the blocking of the data processed infringing laws, as well as the update, the correction or, if there is interest, the integration of data; oppose, for legitimate reasons, the processing itself.

Any requests pursuant to Article 7, Italian Legislative Decree no. 196/2003 shall be addressed to the following address ditecsipa@certimpres.it or sent by post to Ditec S.p.A., Via Vittor Pisani n. 20, 20124 Milan (Italy).

18. Applicable law and competent court

18.1 These Terms of Sale are subject to Italian law.

18.2 Any dispute that may arise between the parties in relation to these Terms of Sale related or in any way connected to the Orders submitted pursuant to them shall be settled exclusively by the Court of Milan.

Dítec

Ditec S.p.A.

Largo U. Boccioni, 1
21040 Origgio (VA) - Italy

T. +39 02 963911
F. +39 02 9650314
M. info@ditecautomations.com

www.ditecautomations.com



When constructing the system, use only Ditec accessories and safety devices. Ditec automation systems feature EC marking and are designed and built in compliance with the safety requirements of the Machinery Directive (2006/42/EC), the Electromagnetic Compatibility Directive (2014/30/EU) the Low Voltage Directive (2014/35/EU), and other Directives, laws and specific standards covering special products and situations.

The Company reserves the right to make changes in order to enhance the products. For this reason, the technical details provided are not binding.

Pictures were taken with the consent of those concerned or in public locations. Further information can be found in the Technical Manuals available on our website:

www.ditecautomations.com