



POWERFUL



VERSATILE



QUALITY &
RELIABILITY

Automation
for swing doors
up to **400 kg**

Ditec **DAB205**

Impressive power, total control

With a maximum load capacity of **400 kg** (for the **push arm version**), the Ditec DAB205 is one of the most powerful, high performance electromechanical automation on the market. The **servo-motor with spring** ensures reliable closing action, while the **encoder** ensures precise control over the kinematic movements of the device.



MAXIMUM CAPACITY

400 kg

with articulated arm
DAB805PSA2

300 kg

with sliding arm
DAB805PLA2

DOOR WING WIDTH

550 - 1600 mm

with **articulated arm**
(1400 mm for fire door)

700 - 1600 mm

with **sliding arm**
(1250 mm for fire door)

MODULAR AND VERSATILE

Ditec DAB205 is a modular and intelligent solution offering the perfect response for the needs of any application. The ESA and ESE auxiliary configuration cards may be used to customise the automation with numerous additional functions.

FUNCTIONS OF DAB905ESE CARD

Enable use of electro-mechanical lock

Enable use of COM400MHB and COM400MKB programme selectors

Output connection for step-by-step operation

Connection for installation of second opening control device (sensor or button)

Priority-opening connection (to bypass night closure function, for example)

Enable battery use

Enable use of operator unit on fire doors

FUNCTIONS OF DAB905ESA CARD

Connection of two or more monitored REM safety sensors (in compliance with EN 16005)

Disable safety sensors within range of angles from 45-90° during opening (e.g. in case of installation next to lateral wall)

Output contact for managing door status (open/closed) indicator device

Operator error/alarm signal



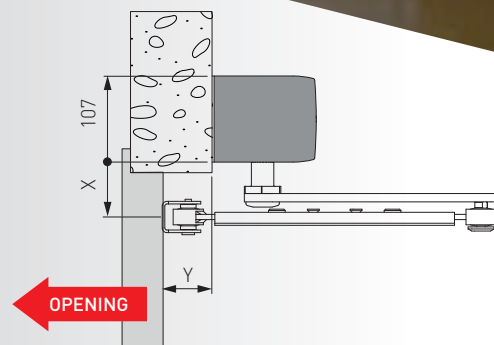
Extraordinarily versatile

Ditec DAB205 is a powerful and precise solution offering the ideal answer to the needs of any installation. The ideal choice for single or double wing swing door entrances with high foot traffic, and also for any applications requiring the use of a product certified for fire door usage.



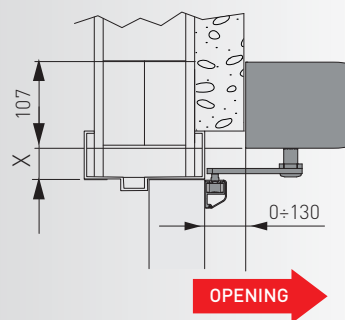
► **DAB805PSA2**
Articulated movement arm
for standard doors and fire doors
(with RISE and certification)

X		Y	
MIN	MAX	MIN	MAX
48 mm	118 mm	0 mm	305 mm



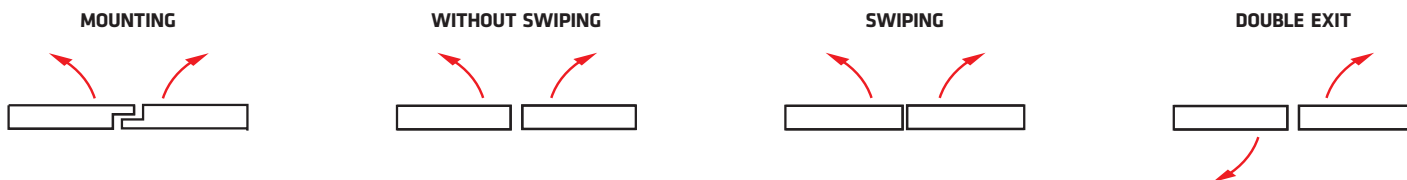
► **DAB805PLA2**
Sliding movement arm
for standard doors and fire doors
(with RISE and certification)

X	
MIN	MAX
46 mm	116 mm



SUPERBLY SMOOTH

DAB is a powerful, precise operator ideal for both single and double wing swing doors with extraordinarily accurate dynamic control. This product is usable in a wide variety of applications:



For swing doors, the operators are connected in parallel, using the DAB905SYN sync cable.

Accessories and components



- ▶ **COM400MHB**
Mechanical knob
function selector switch



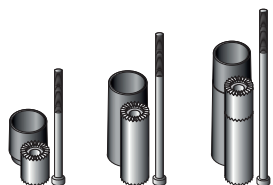
- ▶ **COM400MKB**
Mechanical key-operated
function selector switch



- ▶ **DAB905BAT2**
UPS battery kit



- ▶ **DAB805CMP**
Covers joint,
L = 950 mm,
may be cut to measure



- ▶ **DAB805SE22**
DAB805SE52
DAB805SE72
20, 50 or 70 mm shaft
extension kit



- ▶ **DAB805FP20**
Finger protection,
for outdoor use,
L = 2015 mm (EN 16005)



- ▶ **REM90**
Single-beam detection sensor
in enclosure L = 900 mm



- ▶ **REM110**
Double-beam detection sensor
in enclosure L = 1100 mm



- ▶ **DLR02-DLR1L-DLR1R**
Pair of laser approach and
safety sensors on left and right
hand hinge sides (DLR02),
or single sensor for left hand
installation (DLR1L) or right
hand installation (DLR1R)



- ▶ **DAB905ESE**
Auxiliary card
for configuring:
electro-mechanical lock,
function selector,
batteries and fire safety
functions



- ▶ **DAB905ESA**
Auxiliary card
for configuring:
safety sensors and
alarm and door status
signals



- ▶ **DAB905SYN**
Synchronisation cable,
L = 3000 mm

A certified product

FULL COMPLIANCE WITH EUROPEAN DIRECTIVES AND STANDARDS



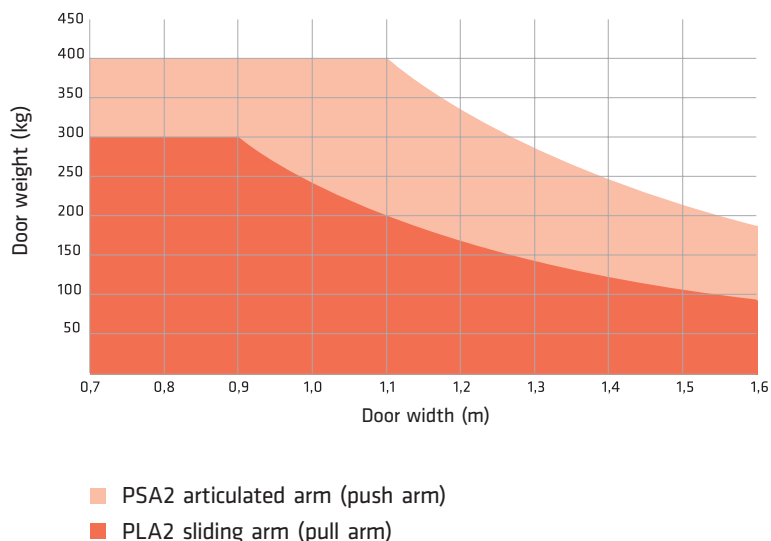
- ▶ **2006/42/EC** - Machinery Directive (MD)
- ▶ **2014/65/EU** - Electromagnetic Compatibility Directive (EMCD)
- ▶ **2011/65/EU and 2015/863/EU - RoHS 2**
Restriction of Hazardous Substances
- ▶ **EN 16005** - Power operated pedestrian doorsets
- ▶ **EN & IEC 60335-1; EN & IEC 60335-2-103** - Safety of electrical appliances
- ▶ **EN 61000-6-2; EN 61000-6-3** - Electromagnetic compatibility
- ▶ **EN ISO 13849-1** - Safety of machinery
- ▶ **EN 1634-1** - Fire resistance
- ▶ **RISE** - Certification for use on fire doors

The professional choice

Powerful

With its extremely strong gear motor, the Ditec DAB205 offers **class-beating performance** in terms of door wing weight and size, combined with total safety in all situations and precise, responsive control:

- Maximum capacity up to **400 kg**, for a door wing measuring 1200 mm in width with articulated push arm
- Maximum door wing with **1600 mm** with either articulated or sliding arm
- Encoder kinematics control **and closing action with spring and motor**
- **Automatic closing force adjustment** in accordance with wind pressure



All around applications

A single operator capable of meeting the needs **of a wide range of applications**, making it the ideal choice for any situation: from **intense traffic** public spaces such shopping centres, to environments where **security** is a priority, such as hospitals and airports:

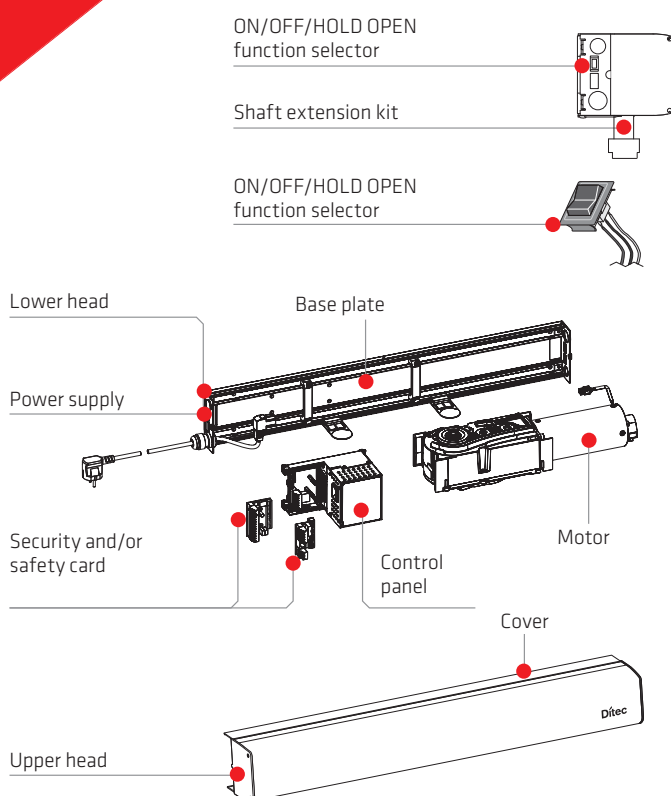
- A **single operator** for both push and pull functionality
- **PUSH&GO, LOW ENERGY** and **Servo-Assistance**
- Shaft and arm extensions to tailor the operator for any installation
- Solutions for **fire doors** with both push and pull arms
- ESE and ESA auxiliary cards for managing **a wide number of additional specific**
- 16 sets of **pre-configured parameters** to respond quickly and effectively to **the needs of any application**



Quality & reliability

Manufactured with premium and reliable components, the Ditec DAB205 automation for swing doors satisfies the **needs of any customer**:

- DUNKERMOTOREN™ **24 Vdc** gear motor
- Durability testing - **1 million cycles**
- Exterior LED **for monitoring door status** and **indicating alarms** (optional)
- **Compliant with all applicable EU directives and standards**, and with SP SITAC certification for **fire door applications**



TECHNICAL SPECIFICATIONS

DAB205

Description	automation for swing doors
Opening	motor opening, spring and motor closing
Product dimensions (HxWxL)	111x131x720 mm
Product weight (operator only)	16 Kg
Maximum capacity (see diagram on use)	400 kg with articulated arm 300 kg with sliding arm
Endurance test	1 million cycles
Stroke control	encoder
Power supply	100 to 240 Vac, -15%/10%; 50/60 Hz
Power consumption (max.)	300W
Auxiliary power	700 mA - 24 Vdc
Electro-mechanical locking device	24 Vdc max 600 mA 12 Vdc max 1.2 mA
Door wing width	articulated arm 550 - 1600 mm (same width as fire door) sliding arm 700 - 1600 mm (fire door 1250)
Door wing opening angle	110° with push arm 110° with pull arm
Opening time (0 - 80°)	2.5 - 12 s
Closing time (90° - 10°)	4 - 12 s
Hold open time	1.5 to 30 s
Operating temperature	-20°C / +45°C
Protection rating	IP20

OPERATIONAL FUNCTIONS

ESE configuration card	■ optional
ESA configuration card	■ optional
Automatic mode	■
Door-closer mode	■
LOW ENERGY mode	■
Power Assist mode	■
PUSH&GO mode	■
Integrated basic selector	■
Key selector	■ optional
Knob selector	■ optional
Synchronised dual wing management	■ optional
Advanced partial opening management on double wing	■ optional
Monitored presence sensor control (compliant with EN 16005)	■
Battery operation	■ optional
Priority opening control	■ optional
Door-open status signal output	■ optional
Operator error/alarm signal	■ optional
Exterior error indicator LED	■ optional
Exterior fire alarm indicator and reset button	■ optional
Usable with fire resistant doors	■

EXAMPLE OF INSTALLATION

