



Fornax Alu
Door & Window Hardware Systems

Fornax Alu



Warning

All information contained in this catalog has been tried to keep up to date since the date of publication. Fornax is not responsible for the technical and legislative changes and product changes that may occur due to timeout that made after the date of publication. Errors that may arise in the case of printing and typesetting, the records in Fornax system will be considered.

All copying and distribution rights reserved.

**Yelken Kalıp Pencere Kapı Aksesuarları
ve Metal Sanayi Tic. A.S.**

Kırac İstiklal Mah. Ahmet Hasim Cad. No: 27
Esenyurt - İstanbul - TURKEY

Phone : +90 212 771 01 01 PBX

Fax : +90 212 771 01 15

sales@fornax.com.tr

www.fornax.com.tr

About Us /Informations	
About Us	4
Quality Certificates	5
Warranty Certificate	6
Conditions For Warranty	7
Storage & Warehouse	8
Conditions Locking	9
Types NanoCoat Coating	10
Fornax AluMotion - Euro Groove Door and Window Hardwares	12
Technical Informations	14
Tilt & Turn and Double Sash Hardwares	16
Turn Only & Double Sash Hardwares	18
Reversing Turn Only - Tilt & Turn Hardwares	20
Tilt Only Hardwares	22
Fornax AluMotion - Euro Groove Parallel Sliding Systems	24
Technical Specifications	26
Parallel Sliding Systems	28
Fornax AluSecure - Door Locks and Hinges	30
Technical Informations	32
Locking Door Espagnolettes	34
Door Locks	36
Friction Stay Hinges for Outward	38
Fornax AluAction Aluminium Door and Window Handles	40
Technical Informations	42
Aluminium Window Handels	44
Aluminium Sliding Handles	46
Aluminium Door Handles	48
Fornax AluMotion Aluminium Window and Door Hinges	60
Aluminium Door and Window Hinges	62
Fornax AluMotion Aluminium Window and Door Accessories	64
Aluminium Window and Door Accessories	66
Fornax AluMotion - Perimetric Groove Window and Door Hardwares	70
Technical Informations	72
Tilt & Turn Systems with Clips	74
Double Sash Systems with Clips	76
Tilt & Turns Systems with Rebate Hinge	78
Tilt & Turn Systems with Rebate Hinge	80
Turn Only Systems with Rebate Hinge	82
Tilt Only Systems	84
Fornax AluMotion - Perimetric Groove Parallel Sliding Systems	86
Technical Informations	88
Manuel Parallel Sliding Systems	90
Manuel Parallel Sliding Systems with Luxury Scissors	92
Semi Automatic Parallel Sliding Systems	94
Semi Automatic Parallel Sliding Sytems with Luxury Scissors	96
Classic Parallel Sliding Systems	98
Classic Parallel Sliding Systems with Luxury Scissors	100
Fornax AluSecure - Door Locks and Hinges	102
Technical Informations	104
Multipoint Door Locks activated by Handle	106
Multipoint Door Locks activated by Handle	108
Door Locks	110
Friction Stay Hinges for Outward	112

Fornax NeoSlide
Yelken Kalıp Pencere Kapı
Aks. ve Metal San. Tic. A.Ş.



45 years experience

Our Company established by Suleyman Yelken in 1969. In the first years had worked sheet iron parts and metal processing sector.

It had supplied special components and parts for the biggest companies in the World in 1980 with the higher quality policy.

During these period it has gained experience and started to produce door and window hardwares in 1990.

Our Company has started one person and with in short time it became a lider Company in this field with regularly improving. During this period our Company had invested for development and growth.

In the years 1990 had worked to improve production field according to customers requirements. Increased the R&D investments and become a good production capacity to it can produce all the necessary hardwares for door and window sector.

During this period our Company started to produce tilt and turn systems, multipoint and mortise door locks, sliding systems, fitting parts, door and window handles and the other accessories. It has contributed international and national quality certificates TSE,ISO 9001, LNE, RAL, GOST-R.

Our Company has continued to investments for automation systems which is technological necessary. It has become a World company in this sector with high quality products and customer satisfaction policy.



Esenyurt / İstanbul Türkiye'deki Şirketimizin Üretim Fabrikasının Bir Görünümü

Fornax NeoSlide
Quality Certificates

Quality and Environmental Policy

Yelken Kalıp Pencere Kapı Aks. ve Metal San. Tic. A.S Our undertakes to fulfill the requirements of the quality standards ISO 9001:2008 and high quality products and services.

It has approved to management systems in the Company established according to Quality Management Systems and this system is applied in the Company.

Pays attention to the protection of the environment during production activities. It continues production process and servicess according to environmental policies to protect naturel resources and ecological balance.





WARRANTY CERTIFICATE

WARRANTY CERTIFICATE

THIS IS TO CERTIFY THAT WE YELKEN KALIP WARRANTY
OUR PRODUCT AGAINST MANUFACTURING DEFECTS FOR A MINIMUM
PERIOD OF 10 YEARS. OUR WARRANTY WILL BE VOID IF THE PRODUCTS ARE MISUSED,
IMPROPERLY ASSEMBLED OR DAMAGED IN ANYWAY.

10 YEAR

Yelken Kalip Pencere - Kapı
Aksesuarları ve Metal San. Tic. A.Ş.
Kıraç İstiklal Mahallesi Ahmet Haşim
Caddesi No : 27
Esenyurt / İSTANBUL - TÜRKİYE
Phone +90 212 771 01 01
Fax +90 212 771 01 15
sales@fornax.com.tr
www.fornax.com.tr

Fornax NeoSlide Conditions for Warranty

Warranty Conditions

Fornax guarantees for 10 years to the fittings on Windows against the productional errors. This warranty provides utmost advantages to the users who prefers original Fornax fittings. This warranty is valid only for the bought fittings after the date when the parties signed the sale contract with sale supervisor.

10 years warranty process begins with the date when the products are bought.

The loss of aesthetic and comfort which doesn't cause natural corrosion and abbrasion or any functional loss in the case of mechanical working of the products are not in content of this warranty.

The warranty is only valid for beloved conditions: Besides doing suitable installation according to Fornax Installation Guide , it's necessary to make right care according to Care Guide. The products which lost its function because of the fitting and cutting errors during application are out of warranty.

Suitable materials to the usage range and carrying capacity in catalogue and technical documents must be used. In the case of not using suitable materials the products will be out of warranty.

The products which are used under heavy conditions in endustrial application in public and trading areas are not in content of warranty.

The products and the other products which complete the fittings used in unsuitable conditions because of trying to adapt the fittings in Fornax with the other brand's fittings will be out of warranty.

The products , which are not stocked according to the directions determined in keeping and shipping conditions are out of warranty. The actions resulted from the third party are also out of the warranty.

Warranty Demands

In the case of having a warranty demand Fornax gives working equivalent of damaged fittings fixed by authorised personnel without delivery and installation. The customer are responsible for he expands and sanctions of delivery and installation.

In the case of occasions resulted from compelling reasons the warranty will be cancelled by parties. Fornax keeps the right of changing its warranty content , period and contents without informing.

The Product Groups in the content of Warranty

Espagnolettes which have Turn-only and Tilt & Turn types and used in single-Double Sash rectangle Windows produced of PVC, Corner Transmission parts, Tilting Stay Arms, Bottom and top locking parts, Tilting and Locking strikers and hinge fittings.

Locks which have turn-only and tilt&turn types and used in single-double sash rectangle Windows produced of PVC, locking door fittings, door handles and hinge fittings. Espagnolettes which have turn-only and tilt&turn types and used in single-double sash rectangle Windows and doors produced of PVC, corner transmission parts, carrying rollers, tilting stay arms and Fornax baranded rails and working handles bought with system.

The simple stay arms used in tilt opening Windows , simple sliding carrying rollers used in sliding systems and simple latch and strikers used in double sash systems are not in the content of 10 years warranty.

Barrels and locking plate strikers used in door fittings are also not in the content of warranty

For all kinds of your supports and questions you can reach to us from teknikdestek@fornax.com.tr

Yelken Kalıp Pencere Kapı Aksesuarları ve Metal Sanayi Tic. A.Ş.

Kirac İstiklal Mah. Ahmet Hasim Cad. No: 27
Esenyurt - İstanbul - TURKEY

Phone : +90 212 771 01 01 PBX
Fax : +90 212 771 01 15
sales@fornax.com.tr
www.fornax.com.tr

Fornax NeoSlide
Storage & Warehouse



Protection Against Dust and Dirth

Don't store the products directly exposed to dust and dirth tofor a longer storage because dust and dirth among active parts will prevent the system from working good.

Keep closed opened boxes and packages by keeping its outsider surface

Change absolutely the damaged Packages during storage and transport .



Protection Against Moisture

The materials absolutely must be stored in places without moisture.

The materials absolutely must be stowed in a closed place , a little sloping -protected from water- places and in the same line.

The materials absolutely must be isolated with protective materials such as plastic stretchfilm or canvas during loading and shipping.

If the products are exposed to moisture , the moistured package must be changed , the product must be dried and corosion control with eye must be done on the product.



Protection Against mechanic Damage

Use absolutely suitable shipping or tranport vehicles such as Forklift , Transpallet and Transport conveyor in Product shipment.



Never stow the pallets one on the top of the other during collected transport by vehicle and in the place of preservation. Obey absolutely the stowage directions on the packages.



Load the pallets by leaning against one another or having 10cm spaces between them not to cross each other during collec-ted and long shipment.

Load the products with Professional forklift drivers to not to be damaged by sharp and hard matters during shipment.

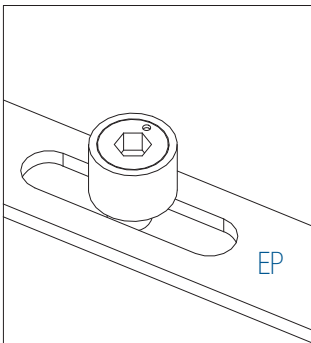
Do not step on the packages and pallets.



Recycled Packages

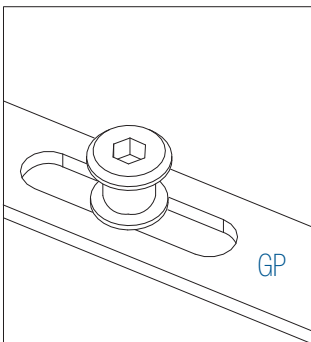
According to the environment politics we claimed the packing materials , used in Fornax products , are produced of recycled materials

Fornax NeoSlide
Conditions Locking



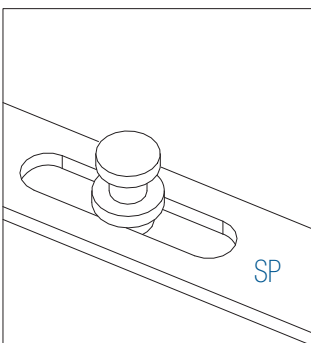
EP: Eccentric Pin

- With SW4 key it provides possibility of +/- 8mm Sash pressure adjust .
- By minimizing the friction between Striker and Pin its special designed Pin provides quite and comfortable working even under heavy gasket pressure.
- For the sake of its special structure minimizing friction it is long lasting.
It works in maximum productivity with all of its locking strikers concordant to profile.



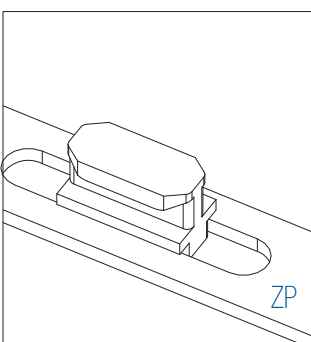
GP: Security Pin

- With SW4 key it provides possibility of +/- 8mm Sash pressure adjust .
- Its special designed designed security pin presents higher security level than EP. and provides possibility of quite-comfortable working.
- It is produced of special materials durable against rupture and fracture. So it is more long lasting than the other security strikers.
- It works in maximum productivity with all of its locking strikers concordant to profile.



SP: Sliding Pin

- With its special form it provides possibility of comfortable usage in windows for a long time.
- It is produced of special materials durable against rupture and fracture. So it is more long lasting than the other sliding strikers.
- It works in maximum productivity with all of its locking strikers concordant to profile.



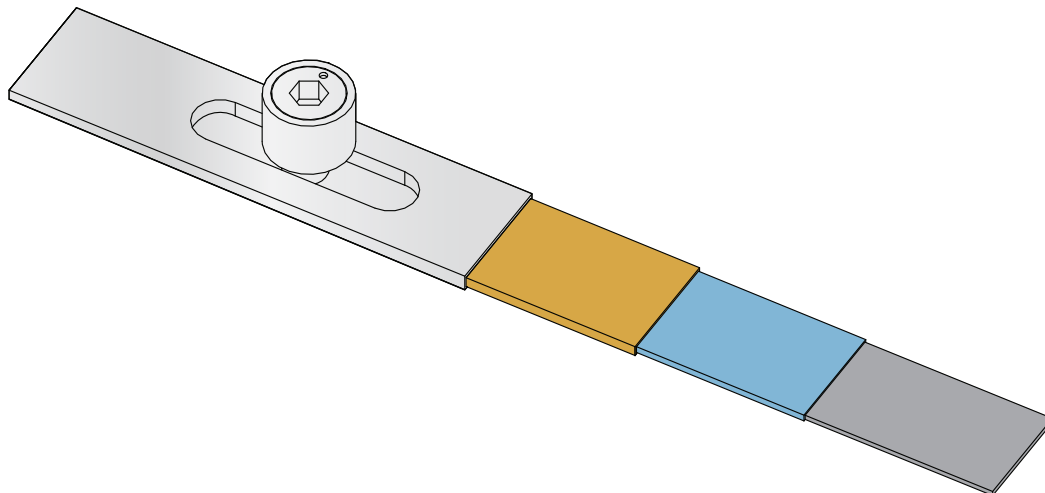
ZP: Zamac Pin

- With its special form it provides possibility of comfortable usage in Windows for a long time.
- Its presents higher security level than standard sliding Pin.
- It works in maximum productivity with all of its locking strikers concordant to profile.

Fornax NeoSlide
Types NanoCoat Coating

Maximum Corrozion Protection

Fornax products have 1000 hours corrozion protection according to EN 9727 with NanoCoat. Nanocoat are applied all the Fornax hardwares. Nanocoat is double time stable than normal silver color and zinc coating



Metal Surface without Coating

Corrosion resistance is very poor, before coating process, after applied production process on the raw



Chrome +3 Passivation

Zinc plated surface are coated and this process gives brightness and tone. It is maximized the corrosion protection of the surface.



Zinc Coated

Zinc coating is first step to protect the product.

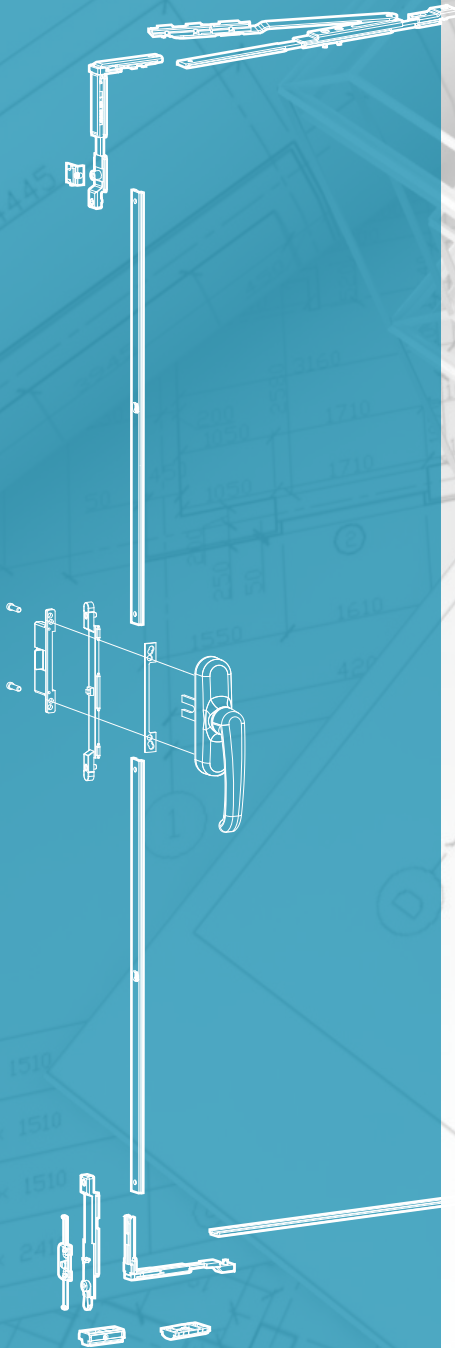


Top Coat Surface Treatment

Zinc Coating and Crome Passivation avoid the contamination and protect the surface

Fornax AluMotion

**ALUMINIUM
WINDOW & DOOR
HARDWARES**





Fornax AluMotion
**EURO GROOVE ALUMINIUM
WINDOW & DOOR HARDWARES**



EURO GROOVE

Fornax AluMotion ETS-130
Euro Groove Aluminium
Window & Door Systems

Easy Assembling ...

Fornax Alu Euro Channel Tilt System is located in a very innovative technology contributes to the window feature. Installation of new hardware easily and flexible use of space with many different combination possibilities of installation.

Demand in the market are usually the standard opening. Fornax Alu Euro- Groove systems are standards for tilt and turn windows up to 100-130 kg, is a system with aesthetic appearance.

Both economically and practically available all over the world.



Our Advantages

- The parts can be installed without moving the other parts.
- The system is ideal with 100 -130 kgs carrying capacity of the sash for tilt and turn opening.
- Can be assembled in short time. It has designed specially to avoid wrong installation.
- Handle of the systems has a good appearance and strong.

Top Hinge Set



Bottom Hinge Set



Universal T&T Handle



Corner Transmission



Fornax AluMotion ETS-130
Euro Groove Aluminium
Tilt and Turn / Double Sash Systems

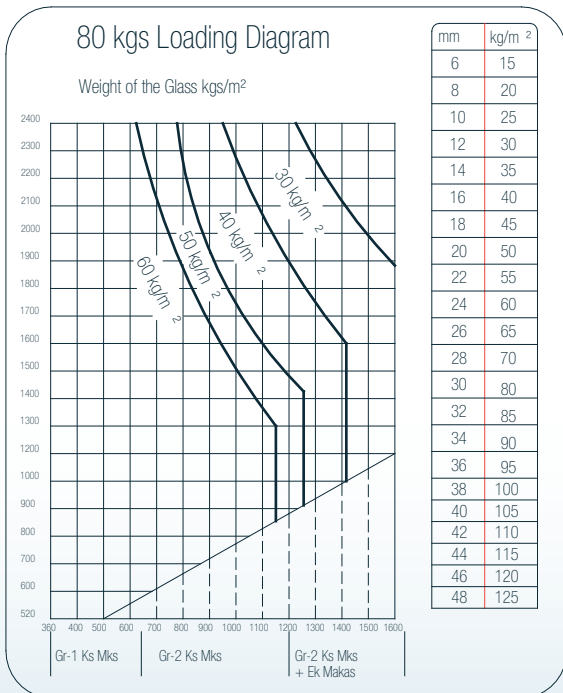
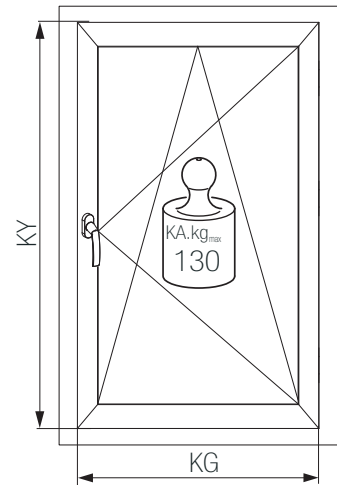
Technical Specifications

- KG - Width of the Sash360mm - 1600*mm
- KY - Height of the Sash.....500mm - 2400 mm
- KA.kg_{max} - Weight of the Sash.....max. 100 Kg / 130 Kg**

* Additional stay arm must be use upper than 1200 mm
** Sash carrying capacity could be increased 130 kgs with additional top hinge

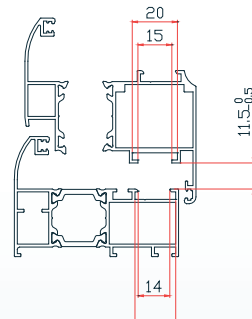
Color Options

- Our Standart Colors
For other colors please ask your sales representative

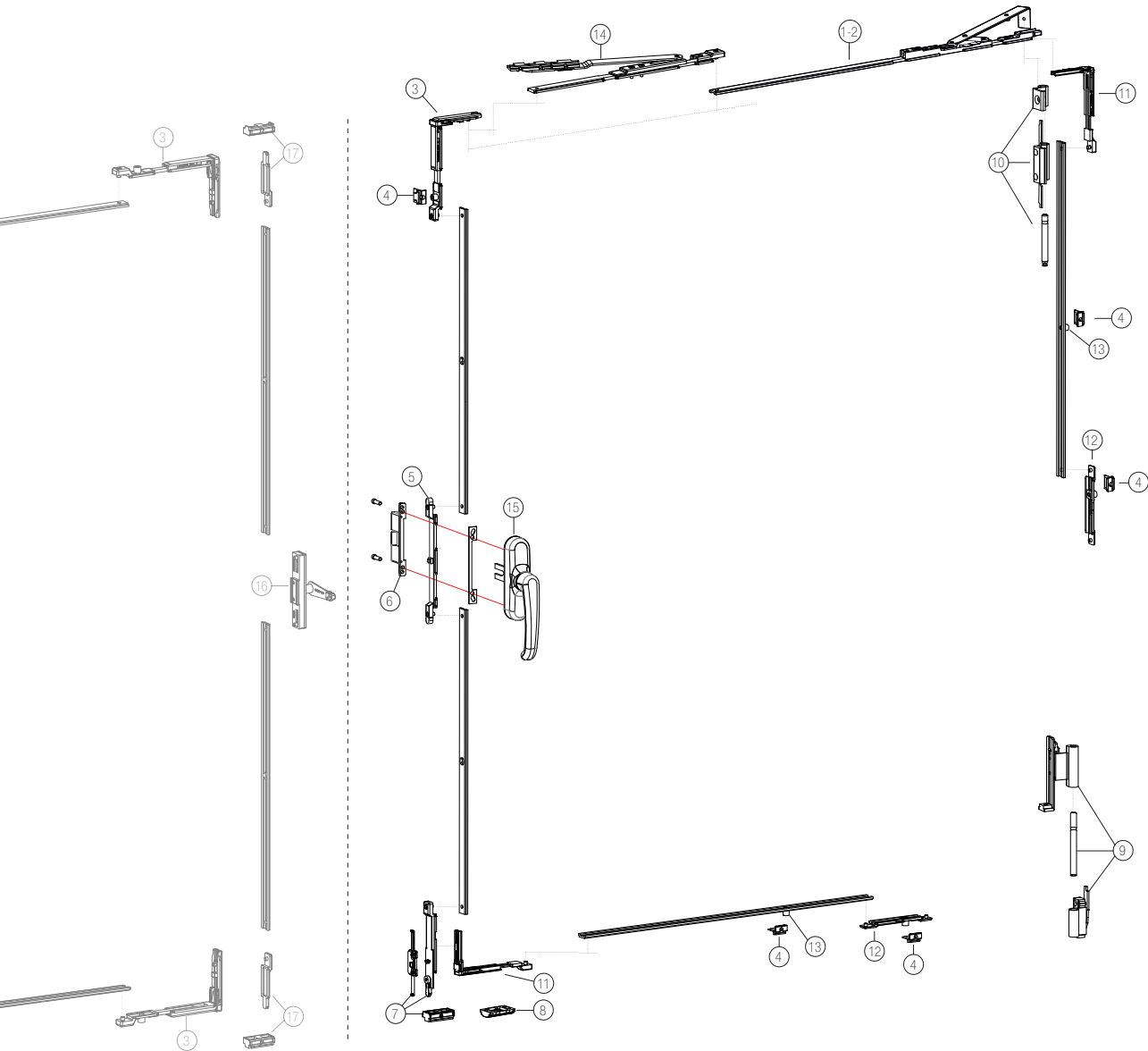


Not: the values on the grafic are glass weight kg/m²

Available profile drawing



Fornax AluMotion ETS-130
Euro Groove Aluminium
Tilt and Turn / Double Sash Systems



- | | |
|-------------------------------|---|
| ① Stay Arm Gr-01 (360-640mm) | ⑩ Top Hinges |
| ② Stay Arm Gr-02 (640-1600mm) | ⑪ Middle Lock AL>1000 H>1200 (optional) |
| ③ Corner Transmission | ⑫ Lux Additional Lock Pin (optional) |
| ④ Locking Plate | ⑬ Eco Additional Lock Pin (optional) |
| ⑤ Universal centered part | ⑭ Additional Stay Arm L>1200 (optional) |
| ⑥ Faulty Usage | ⑮ Universal T&T Handle |
| ⑦ Locking plate parts | ⑯ Double Sash Espagnolette Mechanism |
| ⑧ Sash Lifting Device | ⑰ Double Sash Shoot Bolt Set |
| ⑨ Bottom Hinges | |



Fornax AluMotion ETS-130
Euro Groove Aluminium
Tilt and Turn / Double Sash Systems

Product Description	Code	Group	Vertical Dimentions	Horizontal Dimentions	Color	Pcs.
Tilt & Turn Systems Set*	201.040.100.100	GR 01	500-2400	360-640	Raw (without painting	1 Set
	201.040.100.101	GR 01	500-2400	360-640	Ral-9016 White	1 Set
	201.040.100.102	GR 01	500-2400	360-640	Anodized	1 Set
	201.040.100.103	GR 01	500-2400	360-640	Special Color	1 Set
	201.040.101.100	GR 02	500-2400	640-1600	Raw (without painting	1 Set
	201.040.101.101	GR 02	500-2400	640-1600	Ral-9016 White	1 Set
	201.040.101.102	GR 02	500-2400	640-1600	Anodized	1 Set
	201.040.101.103	GR 02	500-2400	640-1600	Special Color	1 Set

* Content of the Set in the box: Stay Arm, Corner Transmission , Middle Lock , Faulty Usage, Locking Plates Parts Sash Lifting Device , 3 pcs locking plate striker, Top and Bottom Hinges Set For the part details please look at the below table:

Product Description	Code	Item	Dimentions	Color	Pcs.
Tilt & Turn Standart Parts *	201.100.000.100	Corner Transmission	-	-	1 Pc.
	201.410.201.100	Locking Plate	-	-	1 Set
	201.600.000.500	Centered part	-	-	1 Pc.
	200.000.400.000	Faulty Usage	-	-	1 Pc.
	200.000.400.003	Sash Lifting Device	-	-	1 Pc.
	201.200.360.000	Stay Arm GR:01	360-640	-	1 Pc.
	201.200.640.100	Stay Arm GR:02	641-1600	-	1 Pc.
	220.250.010.000	Locking Plate Striker	-	-	1 Pc.
	201.730.305.300	Top Hinge Set	-	Raw (without painting	1 Set
	201.730.305.301	Top Hinge Set	-	Ral-9016 White	1 Set
	201.730.305.302	Top Hinge Set	-	Anodized	1 Set
	201.730.305.303	Top Hinge Set	-	Special color	1 Set
	201.730.306.300	Bottom Hinge Set	-	Raw (without painting	1 Set
	201.730.306.301	Bottom Hinge Set	-	Ral-9016 White	1 Set
	201.730.306.302	Bottom Hinge Set	-	Anodized	1 Set
	201.730.306.303	Bottom Hinge Set	-	Special color	1 Set

* Optional parts : T&T Handle, Middle Lock and Middle Lock Striker are not included set

Product Description	Code	Item	Color	Pcs.
Optionel Parts	201.300.000.000	Middle Lock L>1000 H>1200 (Optionel)	-	1 Pc.
	201.210.000.100	Lux Additional Locking Pin (Optionel)	-	1 Pc.
	201.510.000.100	Eco Additional Locking Pin (Optionel)	-	1 Pc.
	201.200.000.100	Additional Stay Arm L>1200 (Optionel)	-	1 Pc.
	220.250.010.000	10 Aks Locking Plate Striker	-	1 Pc.
	201.800.000.000	Universal T&T Handle	Raw (without painting	1 Pc.
	201.800.000.001	Universal T&T Handle	Ral-9016 White	1 Pc.
	201.800.000.002	Universal T&T Handle	Anodized	1 Pc.
	201.800.000.003	Universal T&T Handle	Special color	1 Pc.

Product Description	Code	Item	Color	Pcs.
Double Sash Parts	200.000.500.000	Double Sash Espagnolette Mechanism	-	1 Pc.
	201.730.110.000	Double Sash Shoot Bolt Set	-	1 Pc.

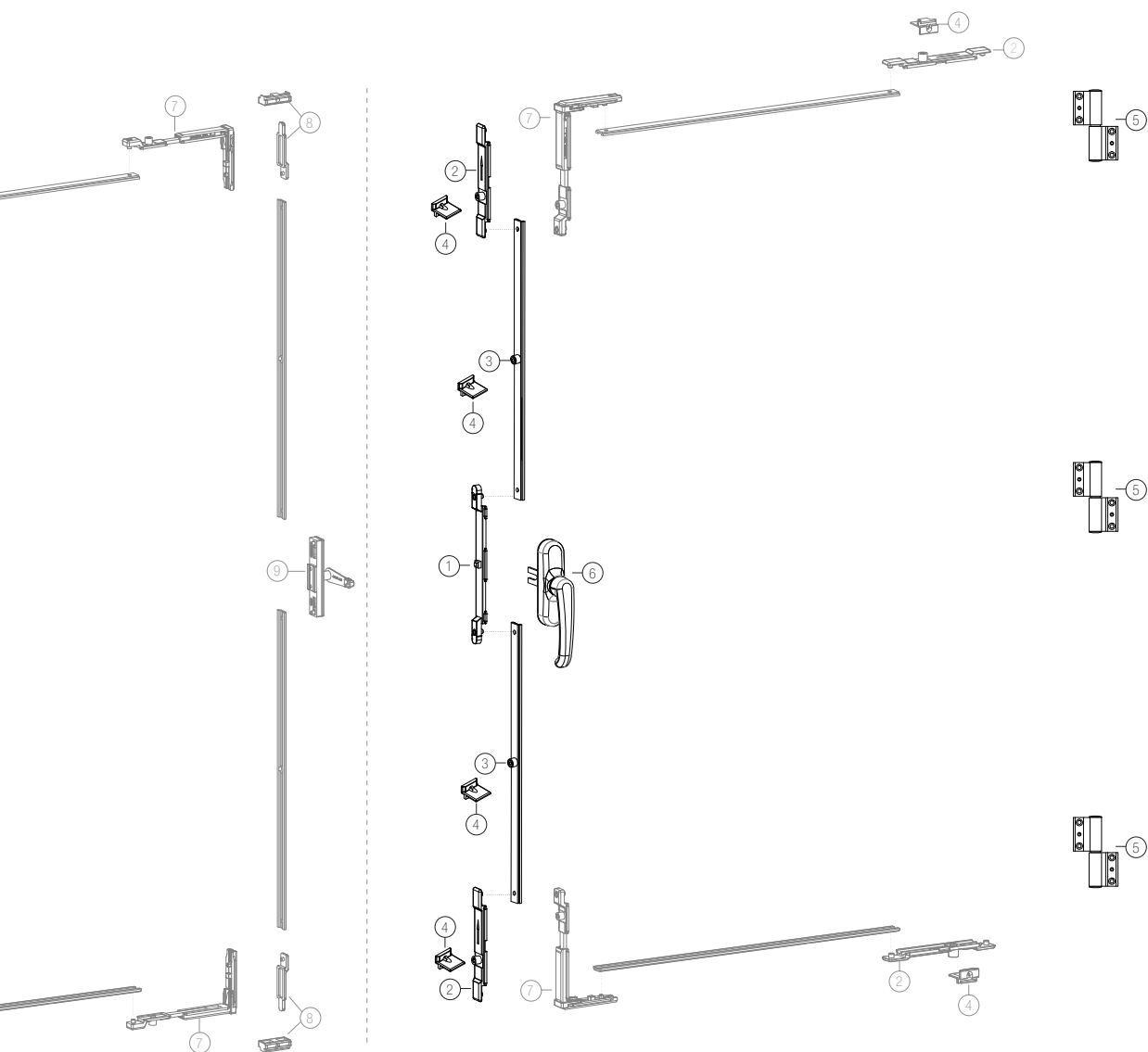
Color Options

- Our Standart Colors
- For other colors please ask your sales representative

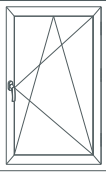


** All the dimentions in the catalog are mm.

Fornax AluMotion ETS-130
Euro Groove Aluminium
Turn Only / Double Sash Systems



- | | | | |
|---|---------------------------------------|---|------------------------------------|
| ① | Centering Part | ⑥ | Handle |
| ② | Lux additional Locking Pin | ⑦ | Corner Transmission (Optional) |
| ③ | Eco additional Locking Pin (Optional) | ⑧ | Double Sash Shoot Bolt Set |
| ④ | Locking Plate Striker | ⑨ | Double Sash Espagnolette Mechanism |
| ⑤ | Single Opening Hinge | | |



Fornax AluMotion ETS-130
Euro Groove Aluminium
Turn Only / Double Sash Systems

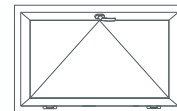
Product Description	Code	Item	Size	Color	Pcs.
Turn Only Standart Set *	201.600.000.500	Centered Part	-	-	1 Pc.
	201.210.000.100	Lux additional Locking Pin	-	-	1 Set
	220.250.010.000	Locking Plate Striker	-	-	1 Pc.
	201.800.000.000	Universal T&T Handle	-	Ham (Boyasız)	1 Set
	201.800.000.001	Universal T&T Handle	-	Ral-9016 Beyaz	1 Set
	201.800.000.002	Universal T&T Handle	-	Eloksallı	1 Set
	201.800.000.003	Universal T&T Handle	-	Özel Renk	1 Set
* Turn Only Systems Parts:	Stay Arm , Corner Transmission, Centered Part, Faulty Usage , Locking Plate, Sash Lifting Device				
Double Sash Set	200.000.500.000	Double Sash Espagnolette Mechanism	-	-	1 Pc.
	201.730.110.000	Double Sash Shoot Bolt Set	-	-	1 Pc.
Optionel Parts	201.510.000.100	Eco additional Locking Pin (Optional)	-	-	1 Pc.
	201.100.000.100	Corne Transmission (Optionel)	-	-	1 Pc.
Turn Only Hinges	413.131.000.003	Aldoks Hinge (Flat)	-	-	1 Pc.
	413.131.000.004	Aldoks Hinge	-	-	1 Pc.
	413.131.000.005	C 60 Hinge (2 pcs)	-	Raw (without painting)	1 Pc.
	413.131.000.006	C 60 Hinge (3 pcs)	-	Ral-9016 White	1 Pc.
	413.131.000.007	Isolation Hinge	-	Anodized	1 Pc.
	413.131.000.008	Systems Hinge (2 pcs)	-	Special Color	1 Pc.
	413.131.000.009	Systems Hinge (3 pcs)	-	-	1 Pc.

Color Options

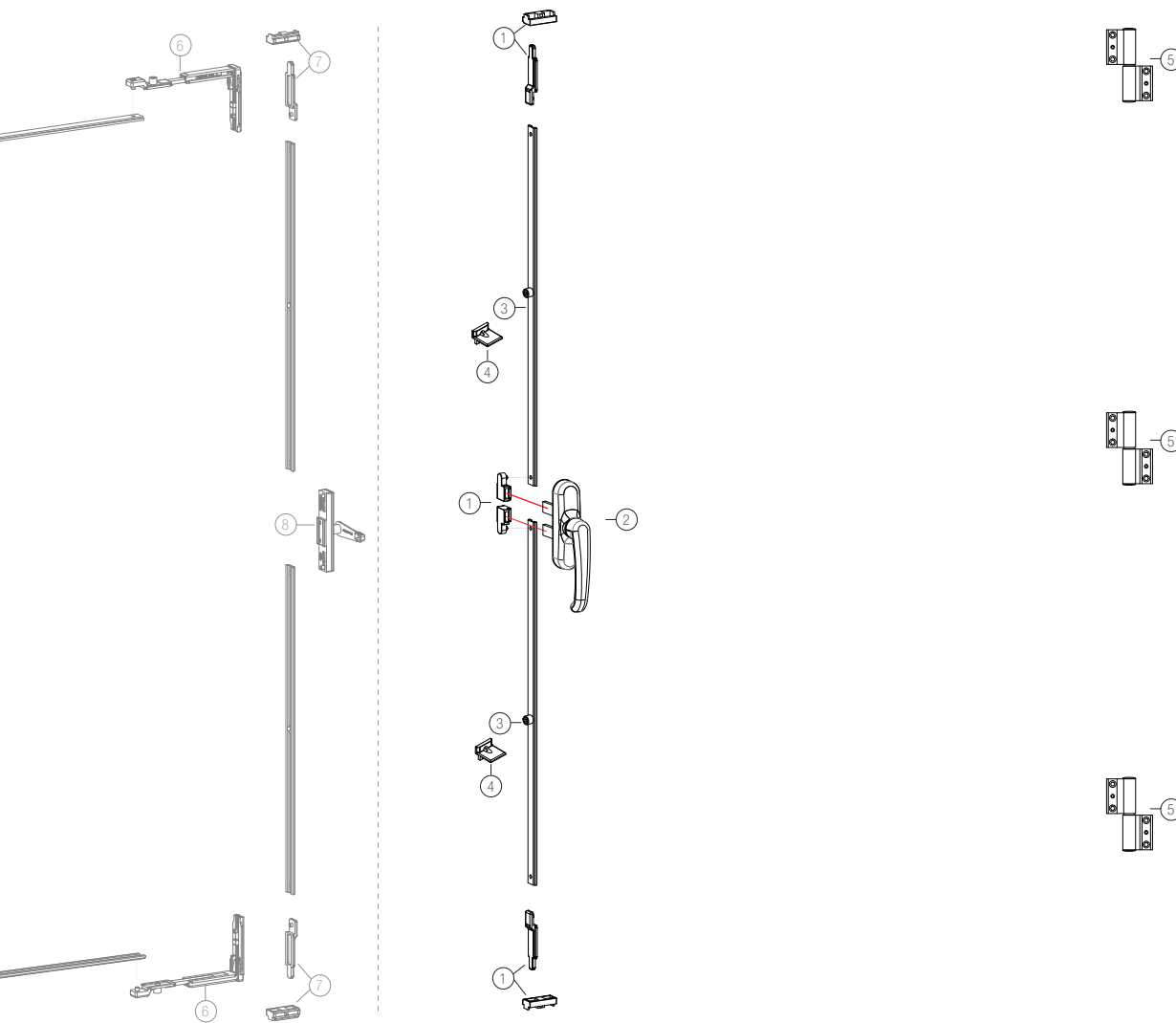
- Our Standart Colors
- For other colors please ask your sales representative



** All the dimentions in the catalog are mm.



Fornax AluMotion ETS-130
Euro Groove Aluminium
Reversing Turn Only - Tilt & Turn Systems



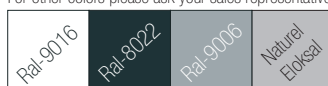
- | | | | |
|---|----------------------------|---|------------------------------------|
| ① | Reversing Gear Locking Kit | ⑥ | Corner Transmission (Optional) |
| ② | Reversing gear handle | ⑦ | Double Sash Shoot Bolt Set |
| ③ | Additional Locking Pin | ⑧ | Double Sash Espagnolette Mechanism |
| ④ | Single opening hinge | | |

Fornax AluMotion ETS-130
Euro Groove Aluminium
Reversing Turn Only - Tilt & Turn Systems

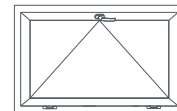
Product Description	Code	Item	Dimention	Color	Pcs.
Tilt Only Systems *	250.133.001.000	Reversing Locking Kit	-	-	1 Pc.
	201.210.000.100	Additional Locking Pin	-	-	2 Pcs.
	220.250.010.000	Locking Sticker	-	-	4 Pcs.
	240.100.002.000	Reversing Gear Handle	-	Raw (without painting)	1 Set
	240.100.002.001	Reversing Gear Handle	-	Ral-9016 White	1 Set
	240.100.002.002	Reversing Gear Handle	-	Anodized	1 Set
	240.100.002.003	Reversing Gear Handle	-	Special Color	1 Set
Single Opening Hinges	413.131.000.003	Aldoks Hinge (Flat)	-	-	1 Pc.
	413.131.000.004	Aldoks Hinge	-	-	1 Pc.
	413.131.000.005	C 60 Hinge (2 pcs)	-	Raw (without painting)	1 Pc.
	413.131.000.006	C 60 Hinge (3 pcs)	-	Ral-9016 White	1 Pc.
	413.131.000.007	Isolations Hinge	-	Anodized	1 Pc.
	413.131.000.008	Systems Hinge (2 pcs)	-	Special Color	1 Pc.
	413.131.000.009	Systems Hinge (3 pcs)	-	-	1 Pc.
Double Sash Systems	200.000.500.000	Double Sash Espagnolette Mechanism	-	-	1 Pc.
	201.730.110.000	Double Sash Shoot Bolt Set	-	-	1 Pc.
Double Sash Systems Optional Parts	201.100.000.100	Corner Transmission	-	-	1 Pc.

Color Options

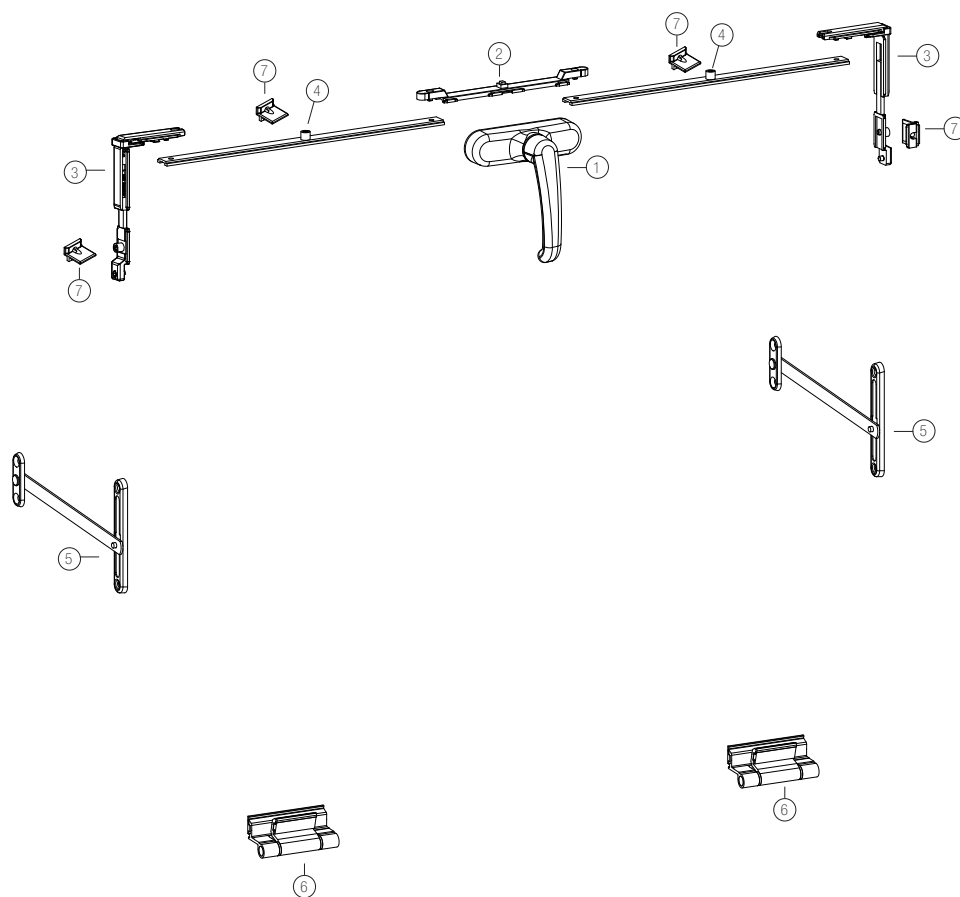
- Our Standart Colors
For other colors please ask your sales representative



** All the dimentions in the catalog are mm.



Fornax AluMotion ETS-130
Euro Groove Aluminium Systems
Turn Only & Tilt Systems



- ① Universal T&T Handle
- ② Universal Centered Part
- ③ Corner Transmission
- ④ Additional Locking Pin

- ⑤ Tilt Opening Scissors
- ⑥ Single Opening Hinge
- ⑦ Locking Striker

Fornax AluMotion ETS-130
Euro Groove Aluminium Systems
Turn Only & Tilt Systems

Product Description	Code	Item	Dimentions	Color	Pcs.
Turn Only & Tilt Systems *	201.600.000.500	Centered Part	-	-	1 Pc.
	201.510.000.100	Additional Locking Pin	-	-	2 Pcs.
	220.250.010.000	Locking Striker	-	-	4 Pcs.
	499.001.001.014	Alm. Isolation Tilt Opening Scissors	-	-	2 Pcs.
	201.100.000.100	Corner Transmission	-	-	2 Pcs.
	201.800.000.000	Universal T&T Handle	-	Raw (withouth Painting)	1 Set
	201.800.000.001	Universal T&T Handle	-	Ral-9016 White	1 Set
	201.800.000.002	Universal T&T Handle	-	Anodized	1 Set
	201.800.000.003	Universal T&T Handle	-	Special Color	1 Set

Product Description	Code	Item	Color	Pcs.
Single Opening Hinges	413.131.000.003	Aldoks Hinge (Flat)	-	1 Pc.
	413.131.000.004	Aldoks Hinge	-	1 Pc.
	413.131.000.005	C 60 Hinge (2 pcs)	Raw (withouth Painting)	1 Pc.
	413.131.000.006	C 60 Hinge (3 pcs)	Ral-9016 White	1 Pc.
	413.131.000.007	Isolation Hinge	Anodized	1 Pc.
	413.131.000.008	System Hinge (2 pcs)	Special Color	1 Pc.
	413.131.000.009	System Hinge (3 pcs)	-	1 Pc.

Color Options

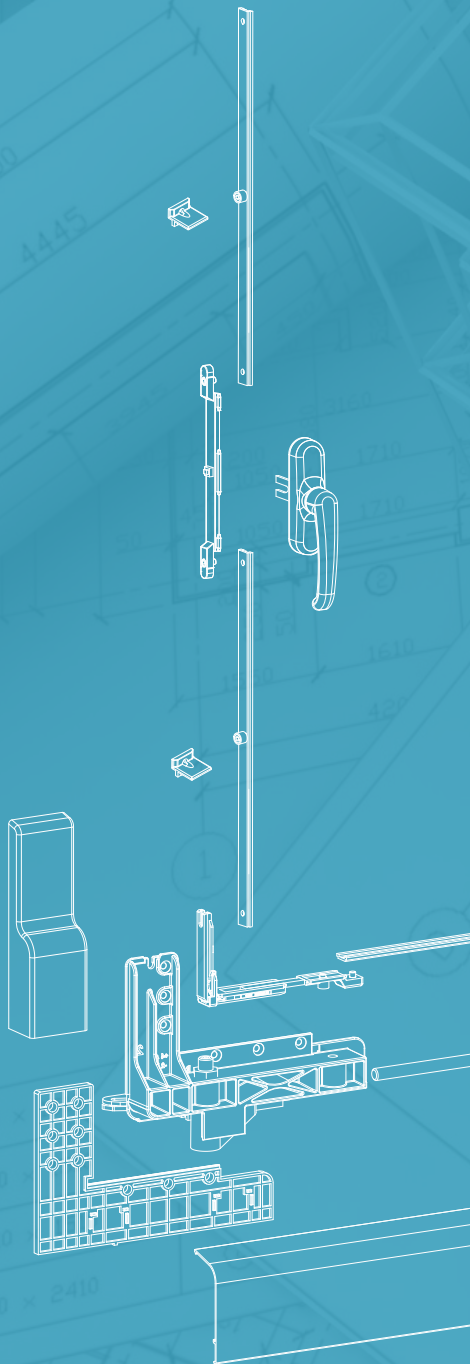
- Our Standart Colors
For other colors please ask your sales representative



** All the dimentions in the catalog are mm.

Fornax AluAction

PARALLEL Sliding SYSTEMS

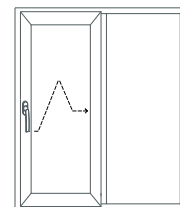




Fornax AluMotion
EURO GROOVE ALUMINIUM
PARALLEL SLIDING SYSTEMS



EURO GROOVE



Fornax AluMotion
Euro Groove Aluminium
Manuel & Semi Automatic Parallel Sliding Systems

Prestige in Sliding Systems

Fornax Parallel Sliding Systems; A developed system for Sliding Door and Window Fittings which includes T&T Technology and elegance of sliding systems.

Additional profile stock of simple sliding systems is the most effective and prestiged solution.

With its part and associated elements which provides easy and perfect fitting our system which can be practised double and single sash offers completeness and forms a new alternative with its utmost quality and economic way for simple sliding systems.

It provides a comfortable transition possibility among places with its 1600mm opening distance. Sliding technology provides saving of space its inner place with its privilege it presents.

With parallel sliding system can be reached to terrace, -balcony, winter garden and glassed areas easily and is an ideal solution for kitchen, working rooms and offices.

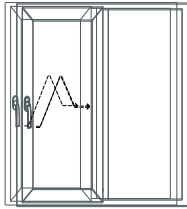
Our system which can be manual and semi automatic operated with its tilting speciality up to 130kg provides ventilation of place without opening the sash completely.



Our Advantages

- Our system provides usage possibility of 30 Aks. Lockable CH Espagnolette.
- Carrying capacity for Sashes up to 130kg
- Time saving on fitting
- Can be operated both manual and semi-automatic





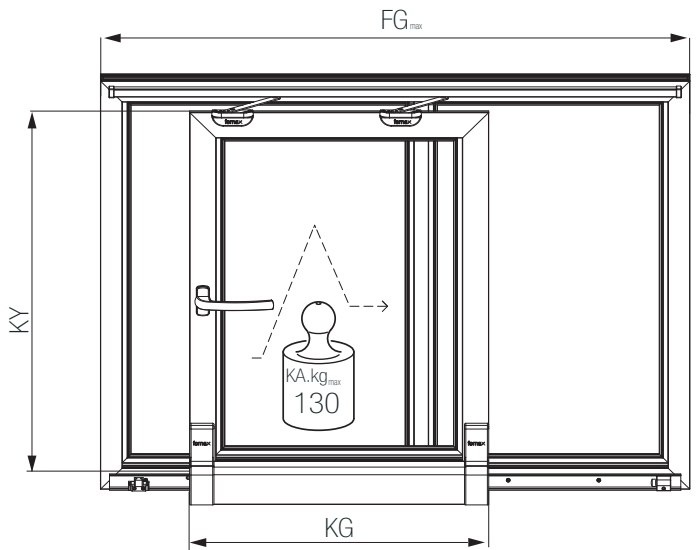
Fornax AluMotion
Euro Groove Aluminium
Manuel & Semi Automatic Parallel Sliding Systems

Technical Specifications

- KG - Width of the Sash500mm - 1600mm
- KY - Height of the Sash.....885mm - 2400mm
- KA.kg_{max} - Weight of the Sash.....max. 130 kg
- FG_{max} - Frame Widthmax. 3200mm

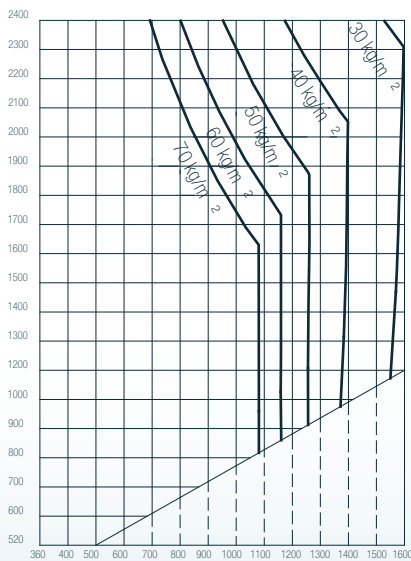
Color Options

- Our Standart Colors
For other colors please ask your sales representative



130 kgs Loading Diagram

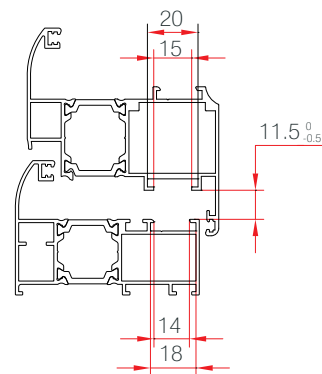
Weight of the Glass kgs/m²



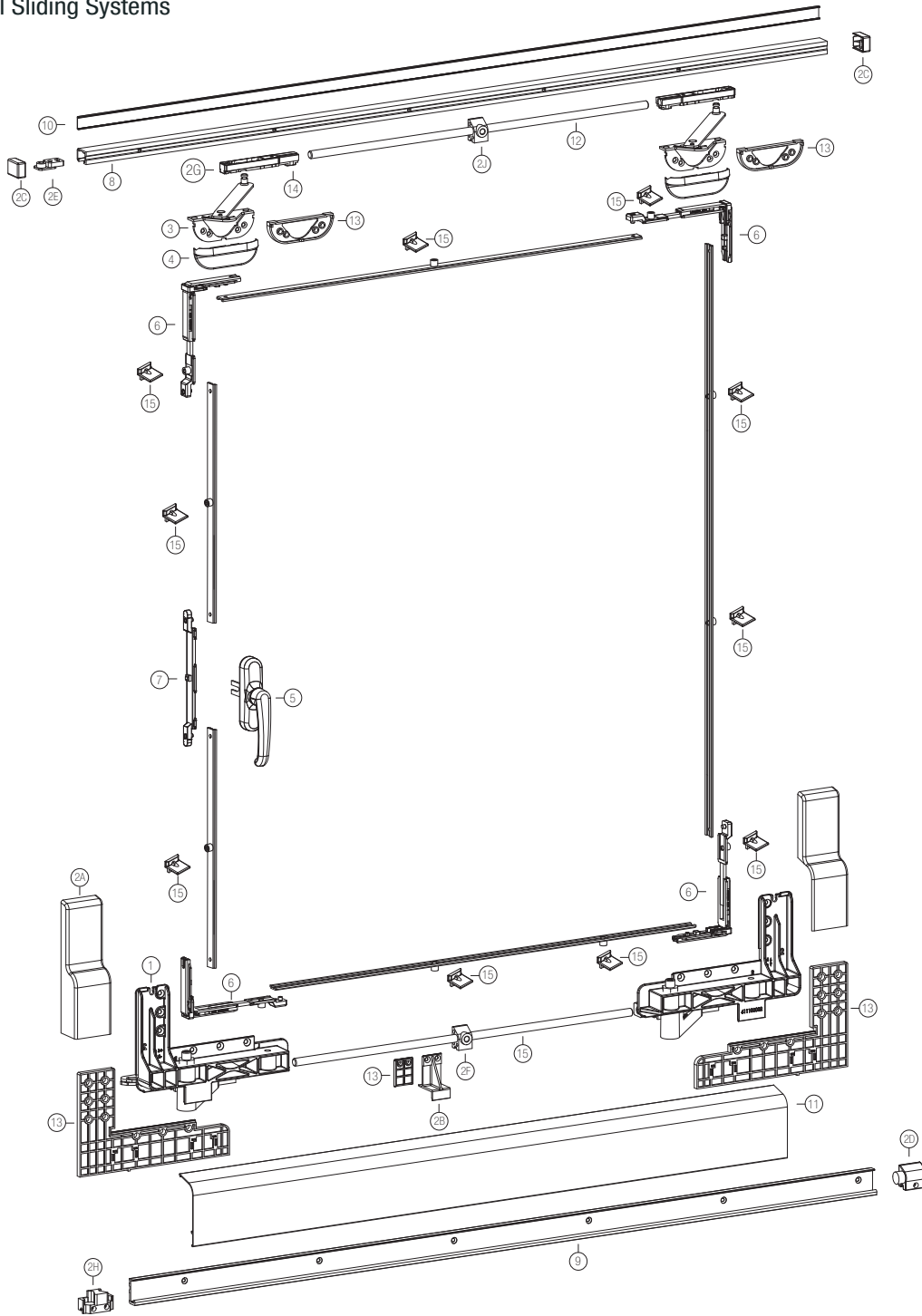
mm	kg/m ²
6	15
8	20
10	25
12	30
14	35
16	40
18	45
20	50
22	55
24	60
26	65
28	70
30	80
32	85
34	90
36	95
38	100
40	105
42	110
44	115
46	120
48	125

Note: Values on the Graffic are Glass weight kg/m²

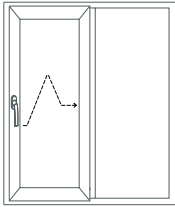
Available Profile Details



Fornax AluMotion TNS130-ME
Euro Groove Aluminium
Manuel Parallel Sliding Systems



- | | | |
|----------------------------------|------------------------------|---------------------------------|
| ① 130 Kg Roller Set | ②H Tilt Part of Sash | ⑨ Bottom Rail W>2m-6m |
| ②A Roller Cover Set | ②I Top Drill Supporting Part | ⑩ Top Rail Spacer W>2m-6m |
| ②B Cover Supporting Part | ③ Stay Arm Set | ⑪ Roller Cover Set W>2m-6m |
| ②C Top Rail Cover Set | ④ Stay arm cover set | ⑫ Connecting Drill W>1m-3m |
| ②D Bottom Stopper | ⑤ Universal Handle | ⑬ Roller and Rail Adaptor Parts |
| ②E Top Stopper | ⑥ Corner Transmission | ⑭ Top connection Drill |
| ②F Bottom Drill Supporting Part | ⑦ Centering Part | ⑮ Locking Striker |
| ②G Scissors Rail Connecting Part | ⑧ Top Rail W>2m-6m | |



Fornax AluMotion TNS130-ME
Euro Groove Aluminium
Manuel Parallel Sliding Systems

Product Description	Code	Group	Vertical Dimention	Horizontal Dimention	Rail Size	Pcs.
Rail Set *	199.510.020.000	A200	800-2400	500-1600	2000	1 Set
	199.510.026.000	A260	800-2400	500-1600	2600	1 Set
	199.510.032.000	A320	800-2400	500-1600	3200	1 Set
Content of Rail Set *	Bottom Rail, Top Rail, Top rail cover profile, Bottom roller set cover and connecting drill part .					

Product Description	Code	Group	Handle	Axis	Right / Left	Pcs.
Accessories Set *	199.531.200.000	130ME	☑	10	Right	1 Set
	199.531.300.000	130ME	☑	10	Left	1 Set
	199.532.200.000	130ME	☐	10	Right	1 Set
	199.532.300.000	130ME	☐	10	Left	1 Set
Content of Accessories Set	130 Kg Roller Set , 130 Kg Roller cover set , Cover Supporting part, Top Rail Cover Set , Bottom Stopper,Top Stopper , Bottom Rail Supporting Part, Stay Arm Rail Connecting Part , Tilt part of Sash , Top Drill Supporting Part , Scissors and Cover , Handle (Optionel), Corner Transmission, Top connection drill part , Roller and Rail Adaptor Parts					

Color Options

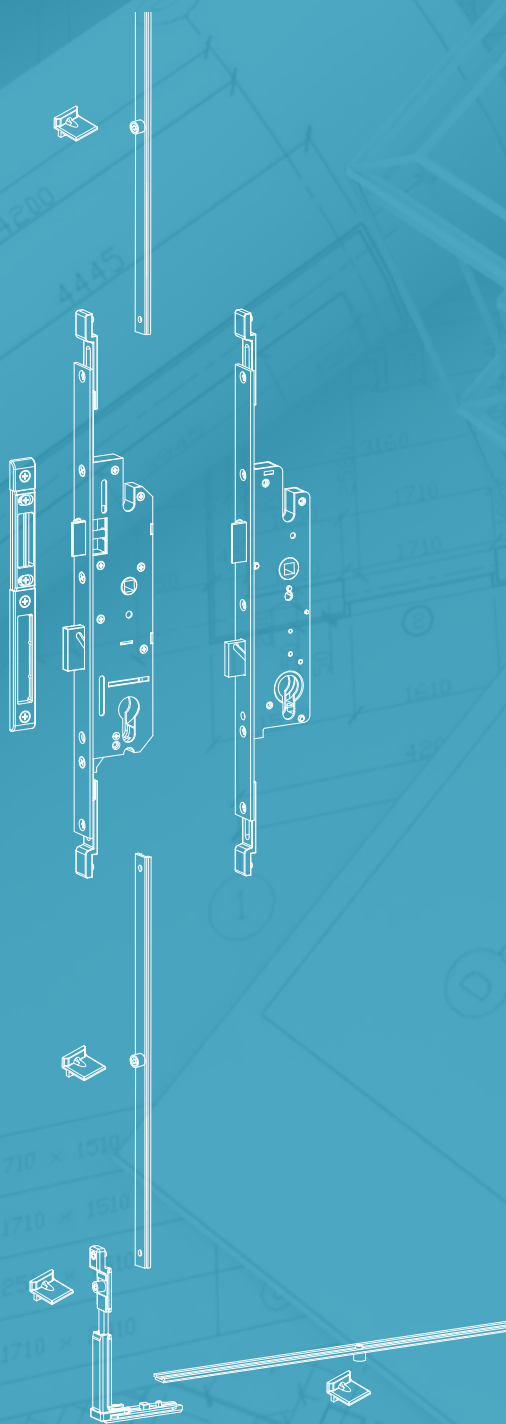
- Our Standart Colors
- For other colors please ask your sales representative



** All the dimention in the catalog are mm.

Fornax AluSecure

ALUMINIUM DOOR LOCKS & HINGES





Fornax AluSecure
EURO GROOVE ALUMINIUM
DOOR LOCKS & HINGES



EURO GROOVE

Fornax AluSecure
Euro Groove Aluminium
Door Locks & Hinges

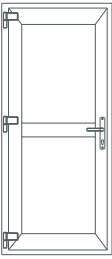
Productivity, Safety, Quality.

Fornax focuses the principle of energy efficient and designed according to energy efficiency in all our products.

Our improved aluminium lock systems has same principal. Our product improved for the thermal isolation. Multi locking function of the product provide the gasket pressure and avoid the effect of weather conditions and helps to energy productivity . The product with multi point lock function is more safety than simple locks.

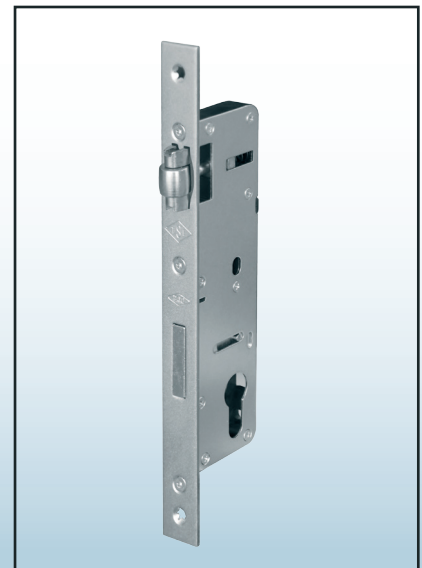
Our other product for the thermal isolation is hinges. The hinges could be adjusted 3 dimention and have 100 kgs carrying capacity . The 3D hinges complated thermal isolation door systems.

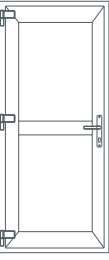
Single locking point Fornax Mortise Locks are suitable when the termical isolation is not important. These locks generealy are used entering doors of the apartments, school, hospital, office, and interior doors.



Our Advantages

- Multi Point Locks and Mortise Locks activated by the key and handle
- Plastic and Metetal combination metal locks provided slint working possiblits and have roller latch option
- 3D Adjustable and 100 Kg's Carrying capacity Door hinges. the hinges has stainless steel option.





Fornax AluSecure

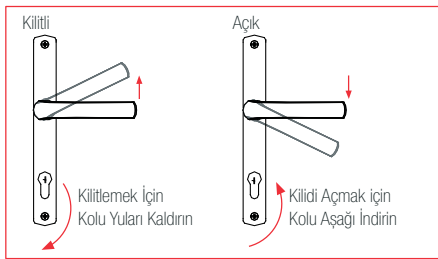
Euro Groove Aluminium

Multipoint Door Lock and Hinges Systems

AS-174 Pultipoint Locks Activated by Handle
Technical Informations

- KY - Height of the sash : 1800mm - 2400mm
- GT - Lock Body: Plastic Body Sheet Iron Cover
- Operating: Activated by Handle
- Handle Possition: 85mm / 92mm
- Gearb ox: 25mm - 28mm - 35mm

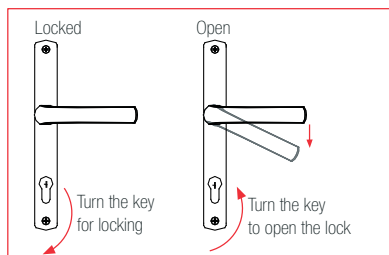
Koldan Kumandalı Çalıştırma Şekli



AS-164 Multipoint Lock Activated by the Key
Technical Informations

- KY - Height of the Sash.....: 1800mm - 2400mm
- GT - Lock Body.....: Zamac
- Body operating.....: Activated by Handle
- Handle Possition.....: 92mm
- Gearb ox.....: 35mm

Function of activated by the key



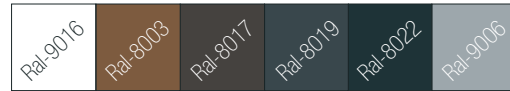
90 Kg Adjustable 3D Hinge
Technical Informations

- TK.kg_{max} - Camrariying Capacity .:max. 90 kg
- GT - Raw material.....: Zamac
- YK - Surface Treatment.....: Powder Painting
- Pins.....: (Optionel)
- Adjusting Possition.....: 3 Dimention (3D) Adjustable

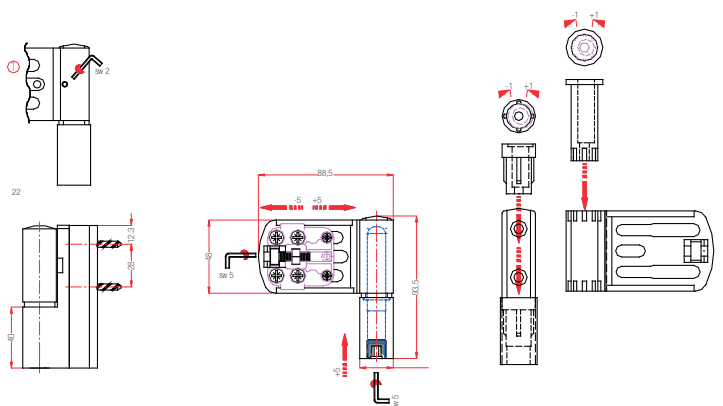
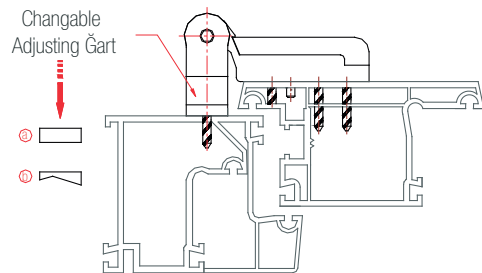
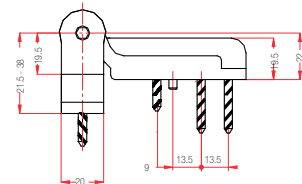


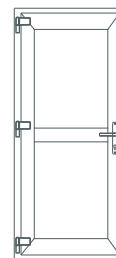
Color Options

- Our Standart Colors
For other colors please ask your sales representative

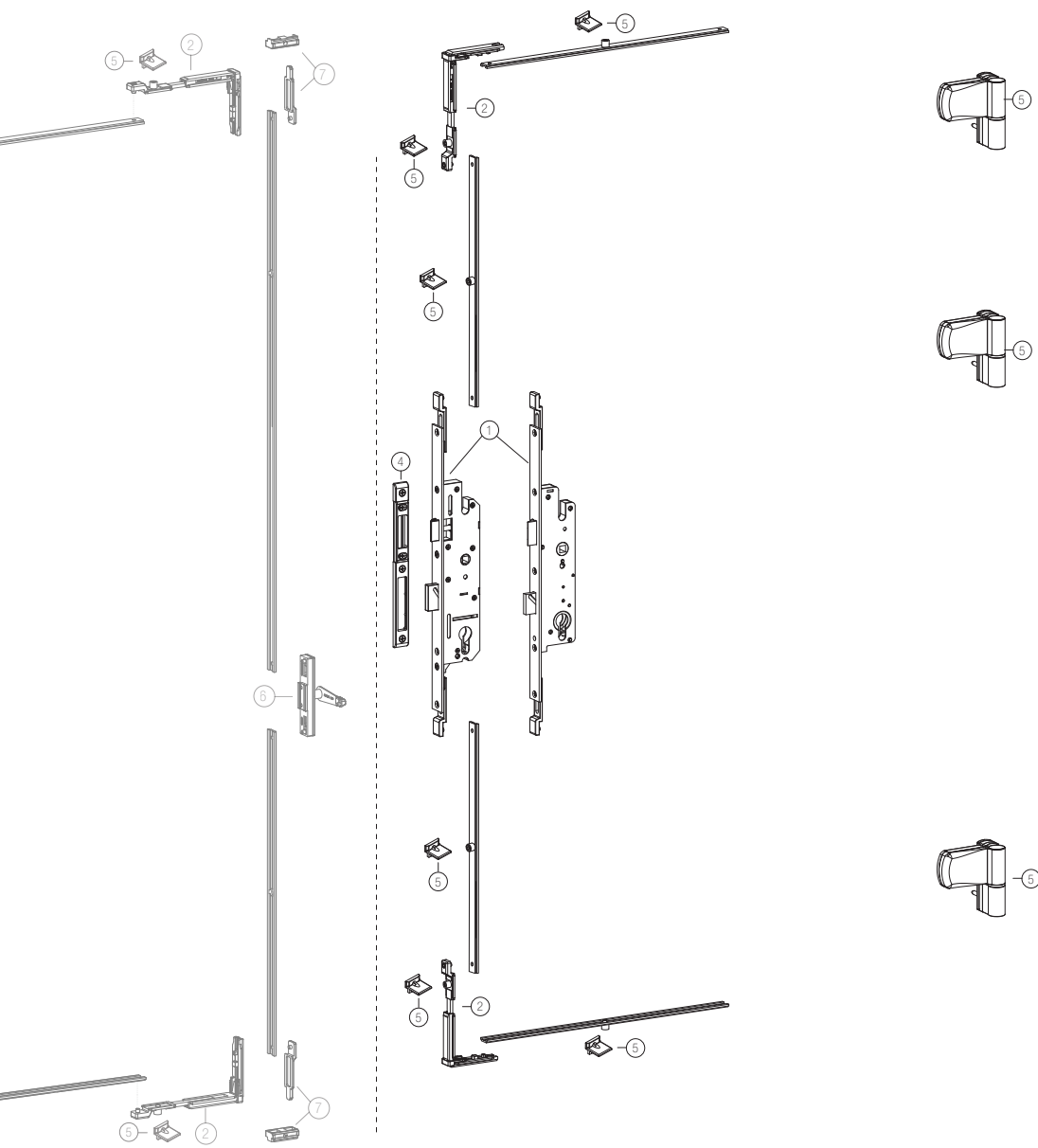


** All the dimentions in the catalog are mm.

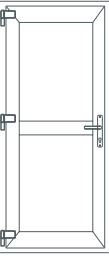




Fornax AluSecure
Euro Groove Aluminium
Multipoint Door Lock Systems



- | | | | |
|---|-----------------------------|---|----------------------------|
| ① | Multipoint Door Lock | ⑤ | Locking Plate Striker |
| ② | Corner Transmission | ⑥ | Universal T&T Handle |
| ③ | 3D Adjustable Hinge | ⑦ | Double Sash Espagnolette |
| ④ | Universal Door Lock Striker | ⑧ | Double Sash Shoot Bolt Set |



Fornax AluSecure
Euro Groove Aluminium
Multipoint Door Lock Systems

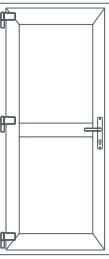
Product Description	Code	Group	Handle Position	Gearbox	Lock Body Type	Pcs.
Multipoint Door Locks Activated by Handle	174.000.385.125	GR 01	85mm	25mm	Plastic Body Sheet Iron Cover	1 Pc.
	174.000.385.128	GR 01	85mm	28mm	Plastic Body Sheet Iron Cover	1 Pc.
	174.000.385.135	GR 01	85mm	35mm	Plastic Body Sheet Iron Cover	1 Pc.
	174.000.392.125	GR 02	92mm	25mm	Plastic Body Sheet Iron Cover	1 Pc.
	174.000.392.128	GR 02	92mm	28mm	Plastic Body Sheet Iron Cover	1 Pc.
	174.000.392.135	GR 02	92mm	35mm	Plastic Body Sheet Iron Cover	1 Pc.
Multipoint Door Locks Activated by	164.000.392.135	GR 01	92mm	35mm	Zamac Body Sheet Iron Cover	1 Pc.
	166.010.392.135	GR 02	Roller Latch	35mm	Zamac Body Sheet Iron Cover	1 Pc.
Adjustable Door Lock Striker	221.010.001.100	-	-	-	Zamac	1 Pc.
		Item		Carrying Capacity	Color	
3D Adjustable Hinges	201.730.305.300	3D Adjustable Hinges		90 Kg	Ral-9016	24 Pc.
					Ral-8003	24 Pc.
					Ral-8017	24 Pc.
					Ral-8019	24 Pc.
					Ral-8022	24 Pc.
					Ral-9006	24 Pc.
Optional parts	201.100.000.100	Corner Transmission	-	-	-	1 Pc.
	220.250.010.000	Locking Plate	-	-	-	1 Pc.
Double Sash Parts	200.000.500.000	Double Sash Espagnolette	-	-	-	1 Pc.
	201.730.110.000	Double Sash Shoot Bolt Set	-	-	-	1 Pc.

Color Options

- Our Standart Colors
For other colors please ask your sales representative

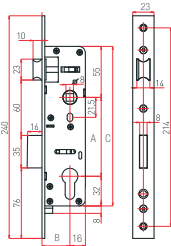


** All the dimentions in the catalog are mm.



Fornax AluSecure
Euro Groove Aluminium
Mortise Door Locks

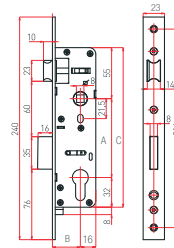
85 Axis Mortise Door Locks Technical Informations



- KY - Height of the Sash : 1800mm - 2400mm
- GT - Lock Body: Plastic Body Sheet Iron Cover
- Operating of the Lock ...: Activated by Key
- Handle Position.....: 85mm
- Gearbox: 20mm - 25mm - 30mm- 35mm
40mm - 45mm



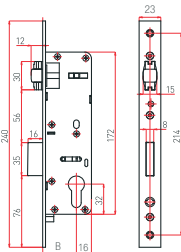
92 Axis Mortise Door Locks Technical Informations



- KY - Height of the Sash : 1800mm - 2400mm
- GT - Lock Body: Plastic Body Sheet Iron Cover
- Operating of the Lock.....: Activated by Key
- Handle Position: 92mm
- Gearbox: 20mm - 25mm - 30mm - 35mm



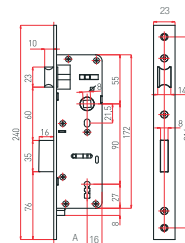
Mortise Locks with Roller Latch



- KY - Height of the Sash : 1800mm - 2400mm
- GT - Lock Body: Plastic Body Sheet Iron Cover
- Operating of the Lock.....: Activated by Key
- Gearbox: 25mm - 30mm - 35mm - 40mm



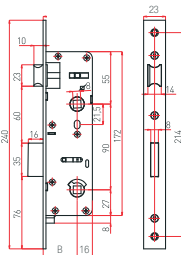
90 Axis Mortise Locks for Interior Rooms



- KY - Height of the Sash : 1800mm - 2400mm
- GT - Lock Body: Plastic Body Sheet Iron Cover
- Operating of the Lock: Activated by Key
- Handle Position: 90mm
- Gearbox: 20mm - 25mm - 30mm- 35mm
40mm - 45mm

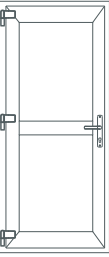


90 Axis Bathroom / WC Mortise Locks



- KY - Height of the Sash : 1800mm - 2400mm
- GT - Lock Body: Plastic Body Sheet Iron Cover
- Operating of the Lock: Activated by Handle
- Handle Position.....: 90mm
- Gearbox: 20mm - 25mm - 30mm- 35mm
40mm - 45mm





Fornax AluSecure
Euro Groove Aluminium
Mortise Door Locks

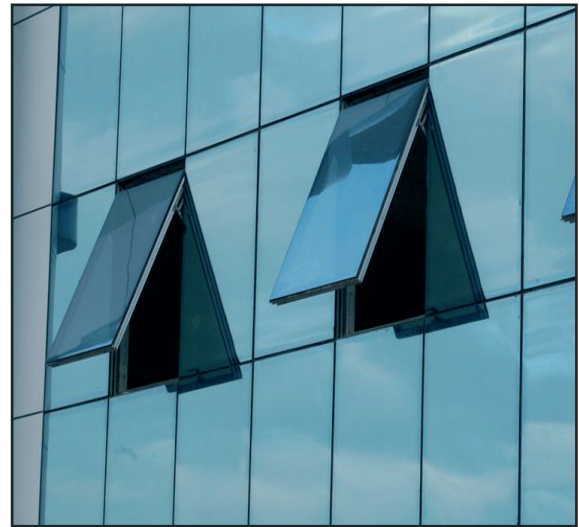
<i>Product Description</i>	<i>Code</i>	<i>Handle Possition</i>	<i>Gearbox</i>	<i>Bolt Size</i>	<i>Bolt Width</i>	<i>Body Length</i>	<i>Body Type</i>	<i>Pcs.</i>
85 Axis Mortise Door Locks	263.185.020.020	85mm	20mm	240mm	23mm	172mm	Plastic Body Sheet Iron Cover	40 Pcs.
	263.185.025.020	85mm	25mm	240mm	23mm	172mm	Plastic Body Sheet Iron Cover	40 Pcs.
	263.185.030.020	85mm	30mm	240mm	23mm	172mm	Plastic Body Sheet Iron Cover	40 Pcs.
	263.185.035.020	85mm	35mm	240mm	23mm	172mm	Plastic Body Sheet Iron Cover	40 Pcs.
	263.185.040.020	85mm	40mm	240mm	23mm	172mm	Plastic Body Sheet Iron Cover	40 Pcs.
	263.185.045.020	85mm	45mm	240mm	23mm	172mm	Plastic Body Sheet Iron Cover	40 Pcs.
92 Axis Mortise Door Locks	263.192.025.020	92mm	25mm	240mm	23mm	179mm	Plastic Body Sheet Iron Cover	40 Pcs.
	263.192.030.020	92mm	30mm	240mm	23mm	179mm	Plastic Body Sheet Iron Cover	40 Pcs.
	263.192.035.020	92mm	35mm	240mm	23mm	179mm	Plastic Body Sheet Iron Cover	40 Pcs.
	263.192.040.020	92mm	40mm	240mm	23mm	179mm	Plastic Body Sheet Iron Cover	40 Pcs.
Mortise Locks with Roller Latch	263.100.020.020	-	20mm	240mm	23mm	172mm	Plastic Body Sheet Iron Cover	40 Pcs.
	263.100.025.020	-	25mm	240mm	23mm	172mm	Plastic Body Sheet Iron Cover	40 Pcs.
	263.100.030.020	-	30mm	240mm	23mm	172mm	Plastic Body Sheet Iron Cover	40 Pcs.
	263.100.035.020	-	35mm	240mm	23mm	172mm	Plastic Body Sheet Iron Cover	40 Pcs.
90 Axis Bathroom / WC Mortise Locks	261.190.020.020	90mm	20mm	240mm	23mm	172mm	Plastic Body Sheet Iron Cover	40 Pcs.
	261.190.025.020	90mm	25mm	240mm	23mm	172mm	Plastic Body Sheet Iron Cover	40 Pcs.
	261.190.030.020	90mm	30mm	240mm	23mm	172mm	Plastic Body Sheet Iron Cover	40 Pcs.
	261.190.035.020	90mm	35mm	240mm	23mm	172mm	Plastic Body Sheet Iron Cover	40 Pcs.
	261.190.040.020	90mm	40mm	240mm	23mm	172mm	Plastic Body Sheet Iron Cover	40 Pcs.
	261.190.045.020	90mm	45mm	240mm	23mm	172mm	Plastic Body Sheet Iron Cover	40 Pcs.
90 Axis. Interior Mortise Locks	262.190.020.020	90mm	20mm	240mm	23mm	172mm	Plastic Body Sheet Iron Cover	40 Pcs.
	262.190.025.020	90mm	25mm	240mm	23mm	172mm	Plastic Body Sheet Iron Cover	40 Pcs.
	262.190.030.020	90mm	30mm	240mm	23mm	172mm	Plastic Body Sheet Iron Cover	40 Pcs.
	262.190.035.020	90mm	35mm	240mm	23mm	172mm	Plastic Body Sheet Iron Cover	40 Pcs.
	262.190.040.020	90mm	40mm	240mm	23mm	172mm	Plastic Body Sheet Iron Cover	40 Pcs.
	262.190.045.020	90mm	45mm	240mm	23mm	172mm	Plastic Body Sheet Iron Cover	40 Pcs.

** All the dimentions in the catalog are mm.

Fornax AluMotion
Euro Groove Aluminium
Outward Opening Friction Stays

Technical Informations of Friction Stays

- KG - Width of the Sash 1200mm-1900mm
- KY - Height of the Sash 1200mm-2000mm
- TK.kg_{max} - Carrying Capacity max. 82-125 kg
- GT - Raw Material Stainless Steel
- Pins Stainless Steel



Cartoon Wall Systems

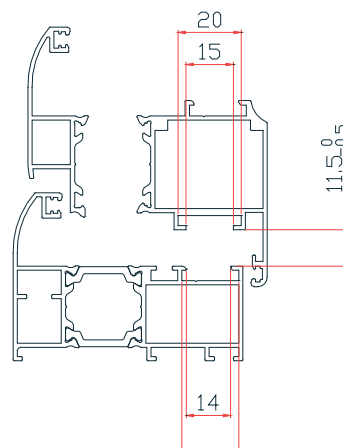
It is useful for aluminium curtain wall systems. Friction stays are produced with stainless steel raw material.

For outward opening windows the friction stay is installed on the frame. Sash and window could be open according to friction hinge angle.

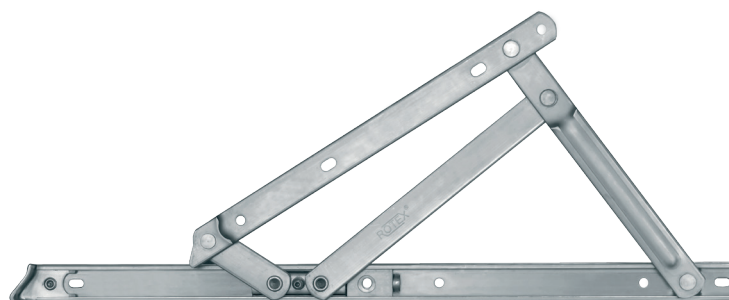
Friction stays provide sash movement for the outward windows.

Friction Stays can be change according to weight and size of the sash.

Available Profile Details



Fornax AluMotion
Euro Groove Aluminium
Outward Opening Friction Stays



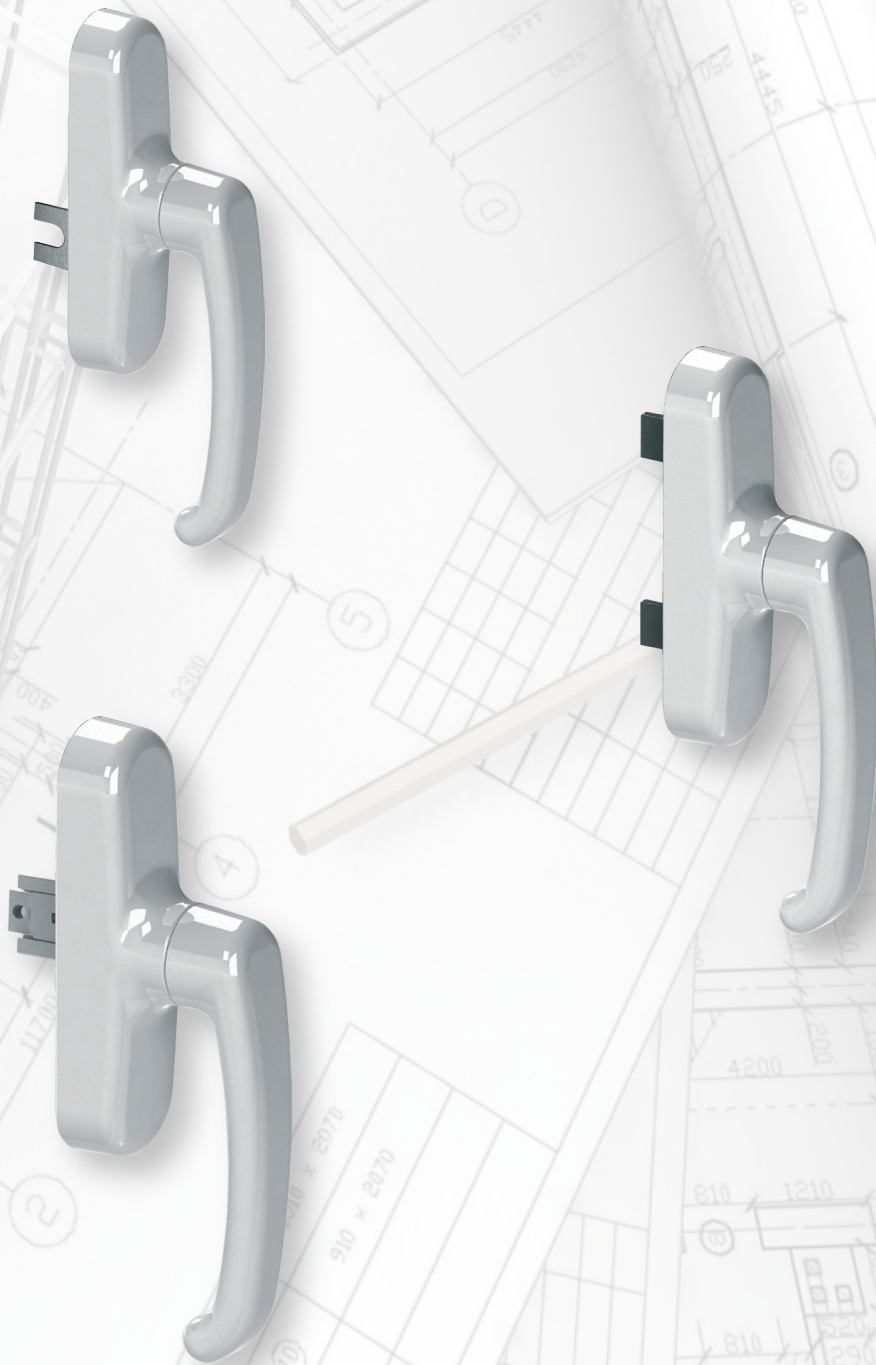
<i>Product Description</i>	<i>Code</i>	<i>Friction Stay Size</i>	<i>Max. Heigh</i>	<i>Max. Width</i>	<i>Max. Capacity</i>	<i>Angle</i>	<i>Pcs.</i>
Outward Opening	499.001.001.003	16"	1200mm	1200mm	82 Kg	250-300mm ±2	15 Sets
Friction Stay	499.001.001.004	22"	1800mm	1800mm	110 Kg	200-250mm ±2	15 Sets
	499.001.001.005	26"	1900mm	2000mm	125 Kg	150-200mm ±2	15 Sets

Fornax AluAction

**ALUMINIUM
WINDOW & DOOR
HANDLES**



Fornax AluMotion
**ALUMINIUM
WINDOW & DOOR HANDLES**





Fornax AluMotion
 Aluminium
 Window & Door Handles

Technical Informations

- MT - Handle Type: With Faulty Usage Reverting & Long for exterior
 Flat - Curve (Exterior)
 Zamac - Plastic
 Aluminium
 Zamac- Sheet Iron
 Powder - Wet Painting (Optionel)

Door Handle Technical Informations

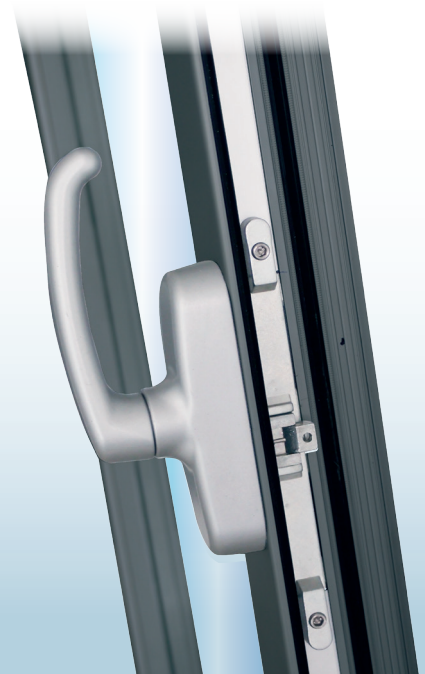
- AT - Handle Type: Narrow / Wide Flat / With Cylinder Cover
 Flat- Curve
 Aluminium With - Without Spring
 With Spring - Without Spring
 Powder - Wet Painting (Optionel), Anodized

Color Options

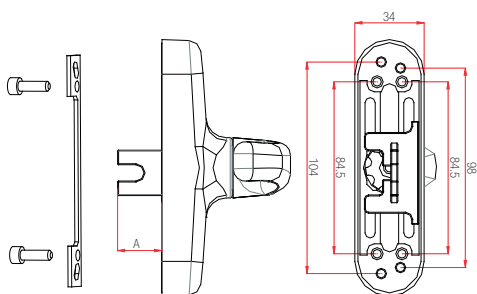
- Our Standart Colors
 For other colors please ask your sales representative



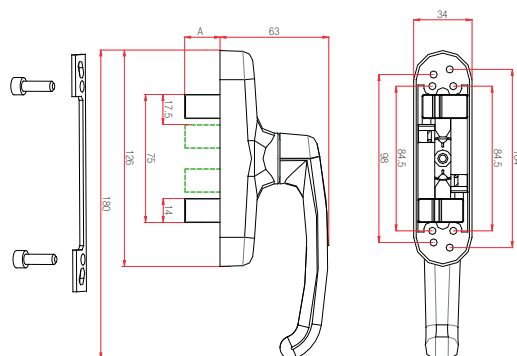
** All the dimentions in the catalog are mm.



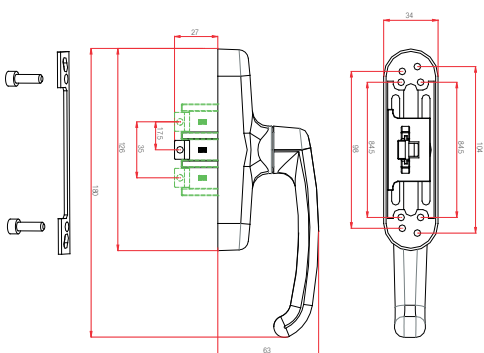
Fornax AluMotion
Aluminium
Window Handles



Product Description	Code	Description	A	Pcs.
T&T / Turn-only Window Handle	201.800.000.000	Standart	27mm	15 Sets
	240.102.002.000	Out Side	32mm	15 Sets



Product Description	Code	Description	A	Pcs.
Reversing / Turn-only Window Handle	240.100.001.000	Standart	21mm	15 Sets
	240.100.002.000	Out Side	27mm	15 Sets



Product Description	Code	Description	A	Pcs.
Tilt & Turn Window Handle	240.101.001.000	Standart	27mm	15 Sets

Fornax AluMotion
Aluminium Window Handles

424.801.119.001

Fornax F-119 Window Handle



424.801.127.001

Fornax F-127 Window Handle



424.801.102.001

Fornax F-102 Window Handle



424.801.107.001

Fornax F-107 Window Handle



424.801.104.001

Fornax F-104 Window Handle



424.801.118.001

Fornax F-118 Window Handle



424.801.117.001

Fornax F-117 Window Handle



424.801.121.001

Fornax F-121 Window Handle



424.801.130.001

Fornax F-130 Window Handle



Fornax AluMotion
Aluminium Window Handles

424.801.111.001

Fornax F-111 Window Handle



424.801.126.001

Fornax F-128 Window Handle



424.801.108.001

Fornax F-129 Window Handle



424.801.131.001

Fornax F-131 Window Handle



424.801.128.001

Fornax F-128 Window Handle



424.801.129.001

Fornax F-129 Window Handle



424.801.105.001

Fornax F-105 Window Handle



424.801.114.001

Fornax F-114 Window Handle



424.801.133.001

Fornax F-133 Window Handle



Fornax AluMotion
Aluminium Window Handles

424.801.132.001

Fornax F-132 Window Handle



424.801.123.001

Fornax F-123 Window Handle



424.801.110.001

Fornax F-110 Window Handle



424.801.124.001

Fornax F-124 Window Handle



424.801.030.001

Fornax F-030 Window Handle



424.801.031.001

Fornax F-031 Window Handle



Fornax AluMotion
Aluminium Sliding Handles

424.802.106.001

Fornax F-106 Sliding Handle



424.802.107.001

Fornax F-107 Sliding Handle



424.802.111.001

Fornax F-111 Sliding Handle



424.802.114.001

Fornax F-114 Sliding Handle



424.802.113.001

Fornax F-113 Sliding Handle



424.802.112.001

Fornax F-112 Sliding Handle



424.802.110.001

Fornax F-110 Sliding Handle



424.802.108.001

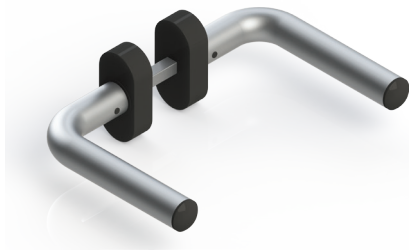
Fornax F-108 Sliding Handle



Fornax AluMotion
Aluminium Door Handles

424.803.001.001

Sausage Handle with Spring



424.803.002.001

Sausage Handle without Spring



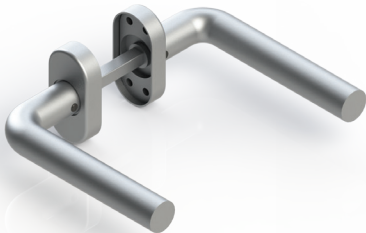
424.803.003.001

Casted Sausage Handle without Spring



424.803.004.001

Flat Rosetted Sausage Handle with Spring



424.803.004.002

Flat Rosetted Twisted Sausage Handle with Spring



424.803.005.001

Roud Rosetted Sausage Handle without Spring



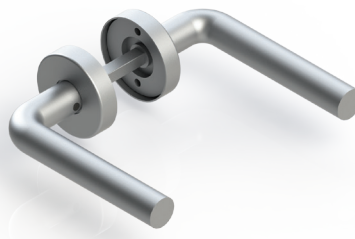
424.803.005.002

Round Rosetted Twisted Sausage Handle without Spring



424.803.006.001

Round Rosetted Sausage Handle with Spring



424.803.006.002

Round Rosetted Twisted Sausage Handle with Spring



Fornax AluMotion
Aluminium Door Handles

424.803.007.001

Flat Rosetted Sausage Handle with Spring



424.803.007.002

Flat Rosetted Twisted Sausage Handle without Spring



424.803.008.001

Rosetted Door Handle with Spring



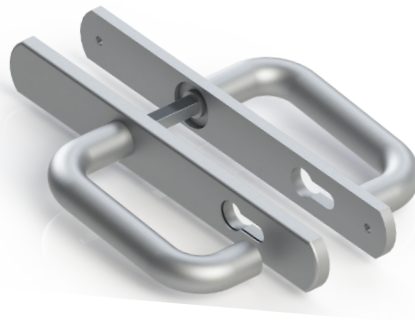
424.803.009.001

Narrow Mirrored Sausage Handle with Spring



424.803.009.002

Narrow Mirrored Twisted Sausage Handle with Spring



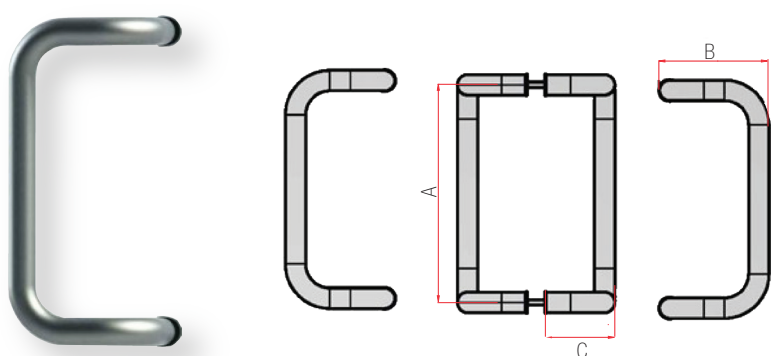
424.803.010.001

Round Rosetted Sausage Handle without Spring



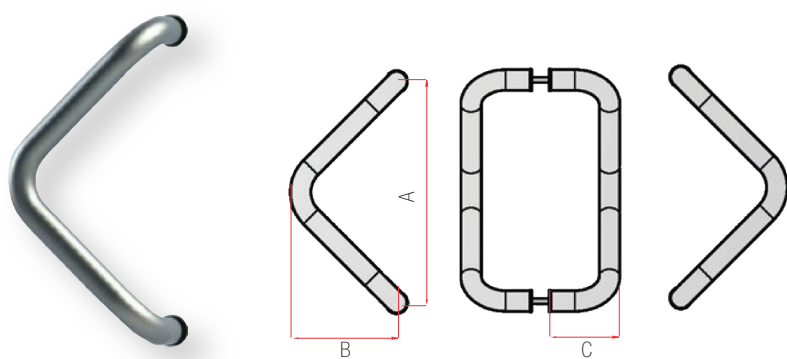
Fornax AluMotion
Aluminium Door Handles

Twisted Pipe Handle



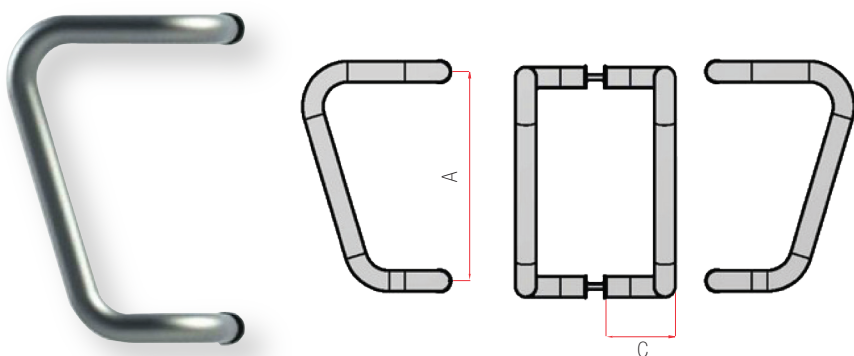
Code	Ø	A	B	C
424.804.025.001	25mm	200mm	130mm	80mm
424.804.025.002	25mm	300mm	130mm	80mm
424.804.025.003	25mm	350mm	130mm	80mm
424.804.025.004	25mm	400mm	130mm	80mm
424.804.025.005	25mm	500mm	130mm	80mm
424.804.030.001	30mm	300mm	160mm	100mm
424.804.030.002	30mm	400mm	160mm	100mm
424.804.030.003	30mm	500mm	160mm	100mm
424.804.030.004	30mm	600mm	160mm	100mm
424.804.030.005	30mm	700mm	160mm	100mm

V Pipe Handle



Code	Ø	A	B	C
424.805.025.001	25mm	200mm	130mm	80mm
424.805.025.002	25mm	300mm	130mm	80mm
424.805.025.003	25mm	350mm	130mm	80mm
424.805.030.001	30mm	300mm	160mm	100mm
424.805.030.002	30mm	400mm	160mm	100mm

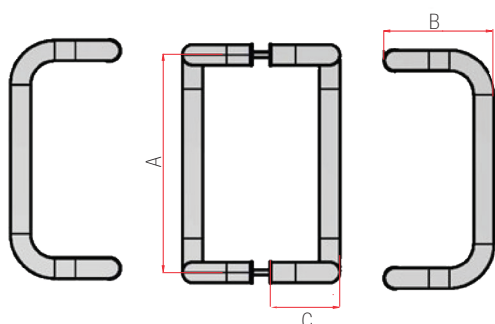
Angled Twisted Pipe Handle



Code	Ø	A	B	C
424.806.025.001	25mm	200mm	-	80mm
424.806.025.002	25mm	300mm	-	80mm
424.806.025.003	25mm	400mm	-	80mm

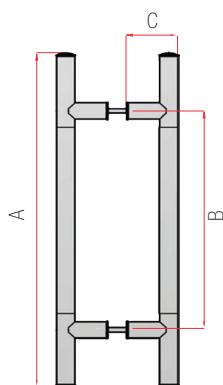
Fornax AluMotion
Aluminium Door Handles

Twisted Handle with Spin Mechanism



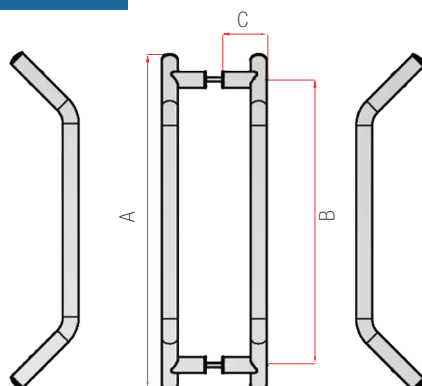
Code	Ø	A	B	C
424.807.030.001	30mm	300mm	160mm	100mm
424.807.030.002	30mm	400mm	160mm	100mm
424.807.030.003	30mm	500mm	160mm	100mm

Angled H Handle



Code	Ø	A	B	C
424.808.030.001	30mm	600mm	400mm	80mm
424.808.030.002	30mm	800mm	600mm	80mm
424.808.030.003	30mm	1200mm	900mm	80mm
424.808.030.004	30mm	1500mm	1200mm	80mm

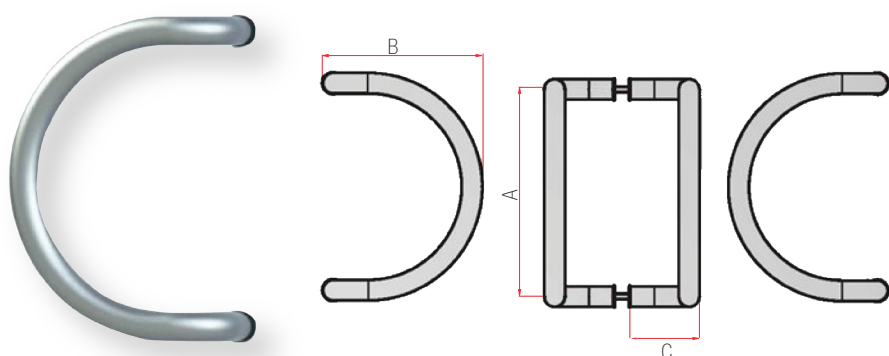
Fornax F-117 Window Handle



Code	Ø	A	B	C
424.809.030.001	30mm	800mm	-	80mm
424.809.030.002	30mm	900mm	-	80mm
424.809.030.003	30mm	1000mm	-	80mm

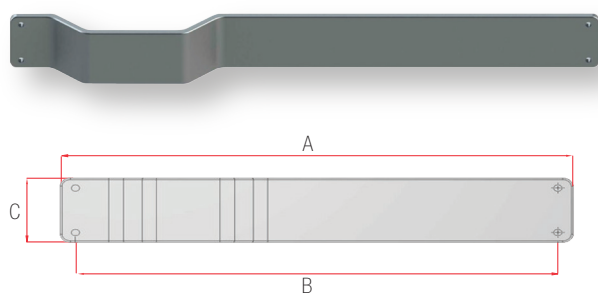
Fornax AluMotion
Aluminium Door Handles

Half Moon Pipe Handle



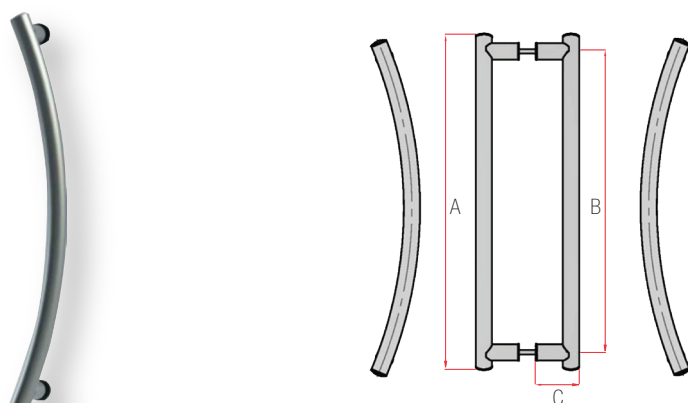
Code	∅	A	B	C
424.810.025.001	25mm	200mm	150mm	80mm
424.810.025.002	25mm	300mm	210mm	80mm
424.810.030.001	30mm	300mm	225mm	100mm
424.810.030.002	30mm	350mm	260mm	100mm

Strip Handle



Code	∅	A	B	C
424.811.000.001	-	700mm	670mm	80mm
424.811.000.002	-	800mm	770mm	80mm
424.811.000.003	-	900mm	870mm	80mm
424.811.000.004	-	1000mm	970mm	80mm

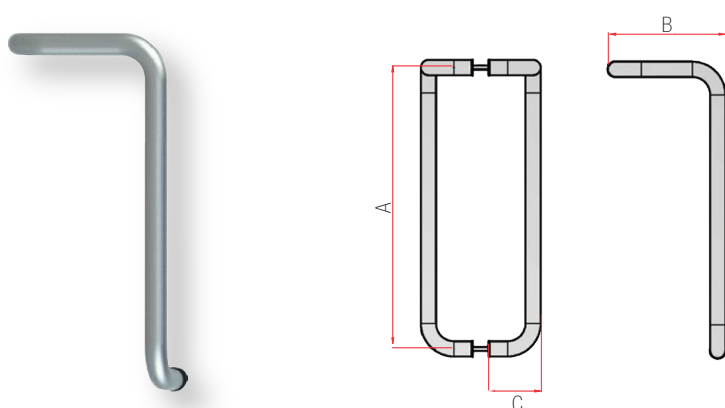
Bow Pipe Handle



Code	∅	A	B	C
424.812.030.001	30mm	400mm	350mm	80mm
424.812.030.002	30mm	500mm	450mm	80mm
424.812.030.003	30mm	600mm	550mm	80mm
424.812.030.004	30mm	700mm	650mm	80mm
424.812.030.005	30mm	800mm	750mm	80mm

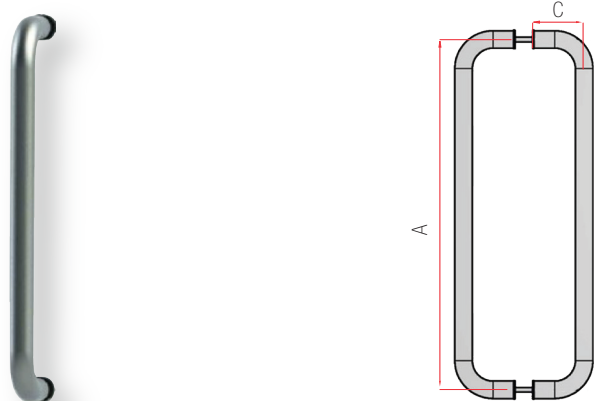
Fornax AluMotion
Aluminium Door Handles

Stick Pipe Handle



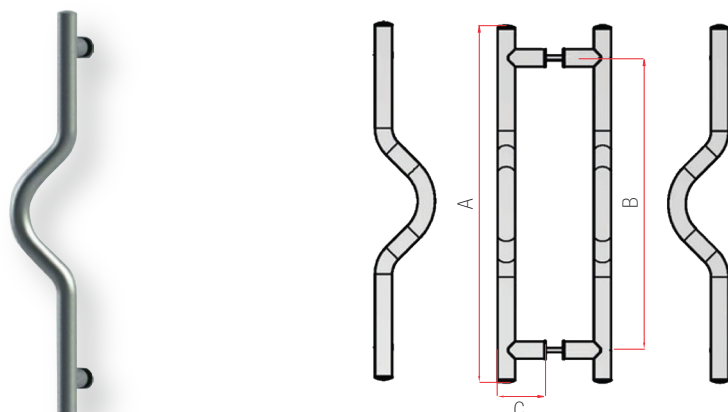
Code	Ø	A	B	C
424.813.030.001	30mm	700mm	180mm	80mm
424.813.030.002	30mm	800mm	180mm	80mm
424.813.030.003	30mm	900mm	180mm	80mm
424.813.030.004	30mm	1000mm	180mm	80mm
424.813.030.005	30mm	700mm	200mm	100mm
424.813.030.006	30mm	800mm	200mm	100mm
424.813.030.007	30mm	900mm	200mm	100mm
424.813.030.008	30mm	1000mm	200mm	100mm
424.813.030.009	30mm	1250mm	200mm	100mm

Pull Pipe U Handle



Code	Ø	A	B	C
424814025001	25mm	200mm	-	80mm
424814025002	25mm	200mm	-	80mm
424814025003	25mm	200mm	-	80mm
424814025004	25mm	200mm	-	80mm
424814030001	30mm	300mm	-	100mm
424814030002	30mm	350mm	-	100mm

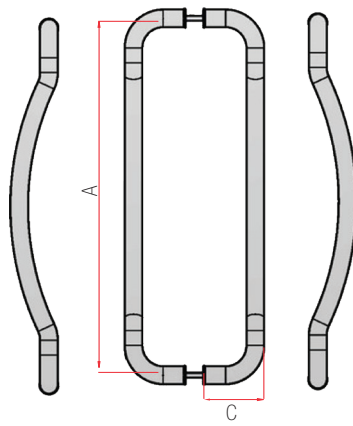
Splined Pipe H Handle



Code	Ø	A	B	C
424.815.030.001	30mm	800mm	600mm	80mm
424.815.030.002	30mm	900mm	800mm	80mm
424.815.030.003	30mm	1000mm	1200mm	80mm

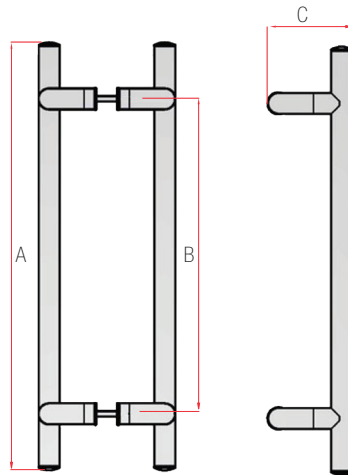
Fornax AluMotion
Aluminium Door Handles

Pull Pipe Bow Type Handle



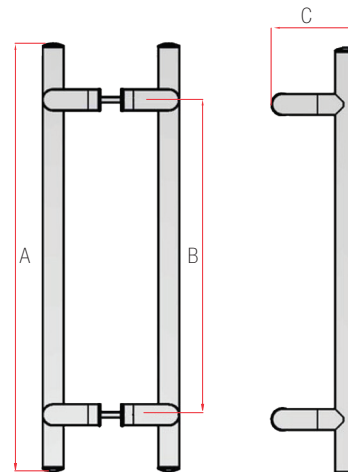
Code	Ø	A	B	C
424.816.030.001	30mm	800mm	-	80mm
424.816.030.002	30mm	900mm	-	80mm
424.816.030.003	30mm	1000mm	-	100mm

Cornered Pipe H Handle



Code	Ø	A	B	C
424.817.030.001	30mm	600mm	400mm	120mm
424.817.030.002	30mm	700mm	500mm	120mm
424.817.030.003	30mm	800mm	600mm	120mm
424.817.030.004	30mm	900mm	700mm	120mm
424.817.030.005	30mm	1200mm	900mm	120mm

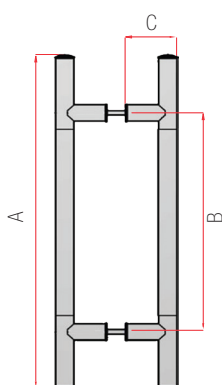
Cornered Pipe H Handle with Wood Pattern



Code	Ø	A	B	C
424.818.030.001	30mm	600mm	400mm	120mm
424.818.030.002	30mm	700mm	500mm	120mm
424.818.030.003	30mm	800mm	600mm	120mm
424.818.030.004	30mm	900mm	700mm	120mm
424.818.030.005	30mm	1200mm	900mm	120mm

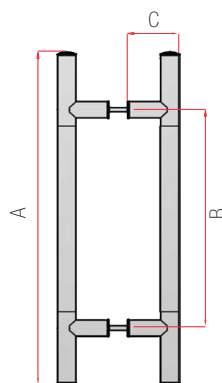
Fornax AluMotion
Aluminium Door Handles

H Pipe Handle



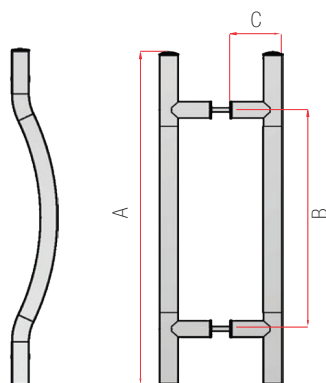
Code	Ø	A	B	C
424.819.030.001	30mm	600mm	400mm	80mm
424.819.030.002	30mm	800mm	600mm	80mm
424.819.030.003	30mm	1200mm	900mm	80mm
424.819.030.004	30mm	1500mm	1200mm	80mm

H Pipe Handle with Wood Pattern



Code	Ø	A	B	C
424.820.030.001	30mm	600mm	400mm	80mm
424.820.030.002	30mm	800mm	600mm	80mm
424.820.030.003	30mm	1200mm	900mm	80mm
424.820.030.004	30mm	1500mm	1200mm	80mm

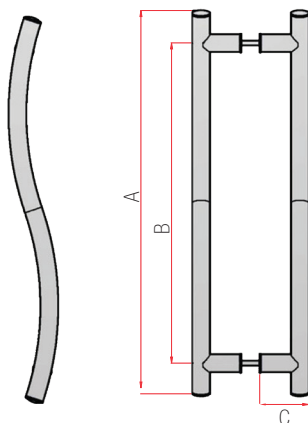
Bow Type Pipe H Handle



Code	Ø	A	B	C
424.821.030.001	30mm	700mm	-	80mm
424.821.030.002	30mm	800mm	-	80mm
424.821.030.003	30mm	900mm	-	80mm
424.821.030.004	30mm	1000mm	-	80mm
424.821.030.005	30mm	1100mm	-	80mm
424.821.030.006	30mm	1200mm	-	80mm
424.821.030.007	30mm	1300mm	-	80mm
424.821.030.008	30mm	1400mm	-	80mm

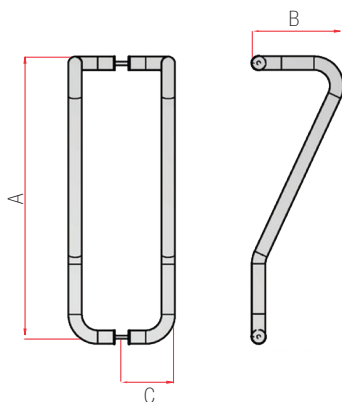
Fornax AluMotion
Aluminium Door Handles

S Pipe Handle



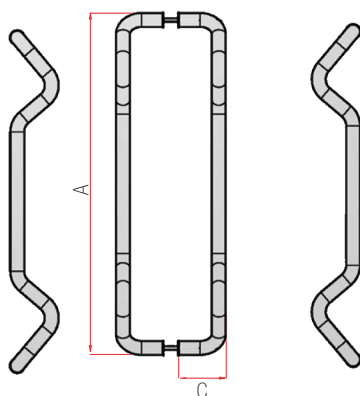
Code	Ø	A	B	C
424.822.030.001	30mm	760mm	700mm	80mm
424.822.030.002	30mm	860mm	800mm	80mm
424.822.030.003	30mm	960mm	900mm	80mm
424.822.030.004	30mm	1060mm	1000mm	80mm

Angled Pipe Stick Handle



Code	Ø	A	B	C
424.823.030.001	30mm	800mm	180mm	80mm
424.823.030.002	30mm	900mm	180mm	80mm
424.823.030.003	30mm	1000mm	180mm	80mm

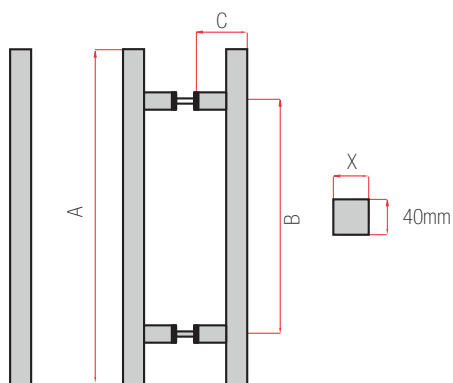
Cornered Pipe H Handle with Wood Pattern



Code	Ø	A	B	C
424.824.030.001	30mm	400mm	-	100mm
424.824.030.002	30mm	500mm	-	100mm
424.824.030.003	30mm	600mm	-	100mm

Fornax AluMotion
Aluminium Door Handles

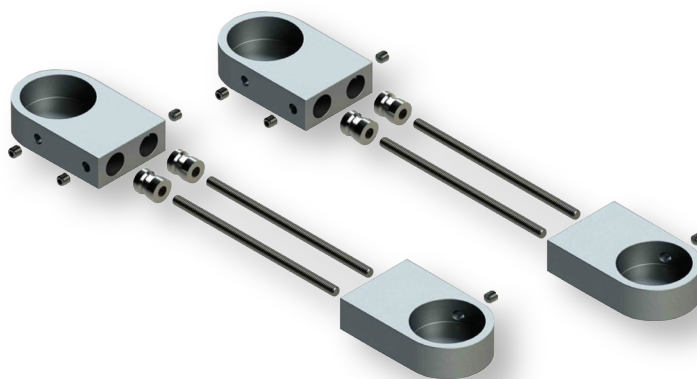
Square H Handle



Code	X	A	B	C
424.825.020.001	20mm	600mm	400mm	80mm
424.825.020.002	20mm	700mm	500mm	80mm
424.825.020.003	20mm	800mm	600mm	80mm
424.825.020.004	20mm	900mm	800mm	80mm
424.825.020.005	20mm	1200mm	900mm	80mm
424.825.020.006	20mm	1500mm	1200mm	80mm
424.825.040.001	40mm	600mm	400mm	80mm
424.825.040.002	40mm	700mm	500mm	80mm
424.825.040.003	40mm	800mm	600mm	80mm
424.825.040.004	40mm	900mm	800mm	80mm
424.825.040.005	40mm	1200mm	900mm	80mm

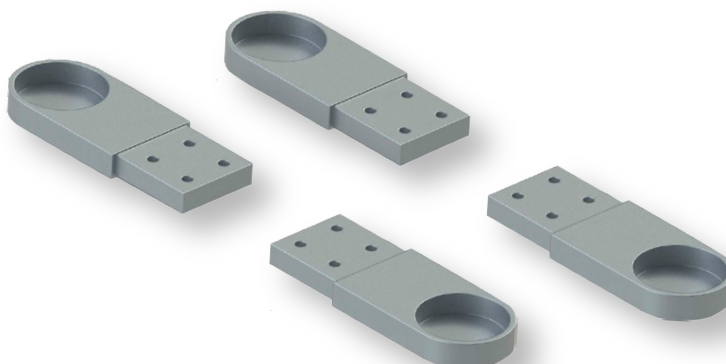
424.826.001.001

Pool Akbank Handle Kit



424.826.002.001

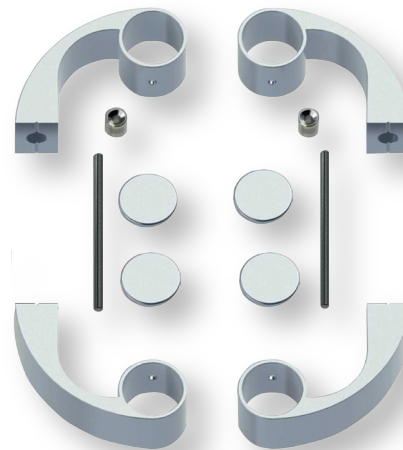
Thin Akbank Handle Kit



Fornax AluMotion
Aluminium Door Handles

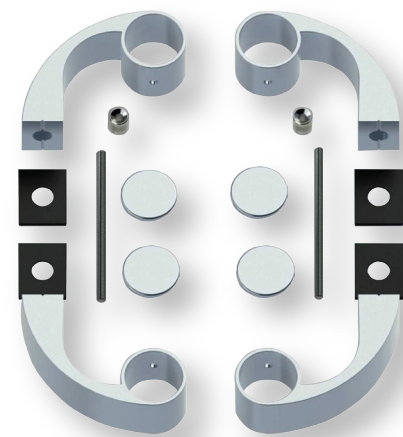
424.826.003.001

Ø 30 Akbank Handle Kit



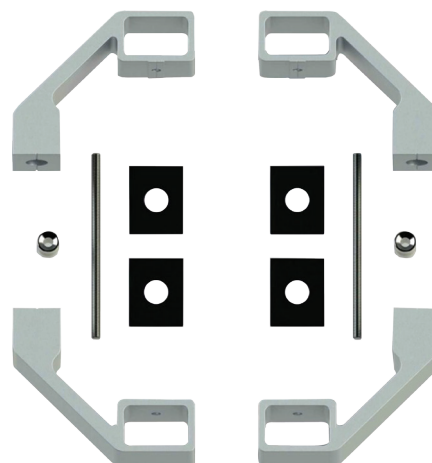
424.826.003.002

Ø 40 Akbank Handle Kit



424.826.004.001

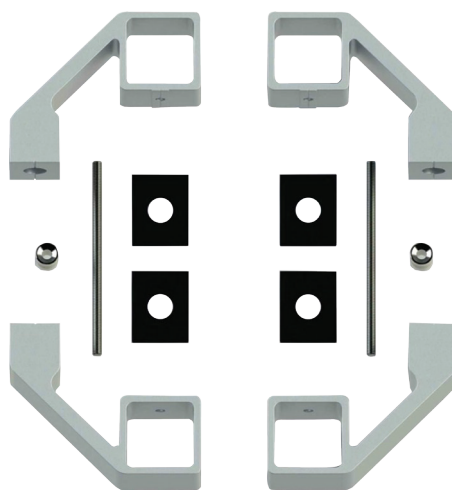
20x40 Square Akbank Handle Kit



Fornax AluMotion
Aluminium Door Handles

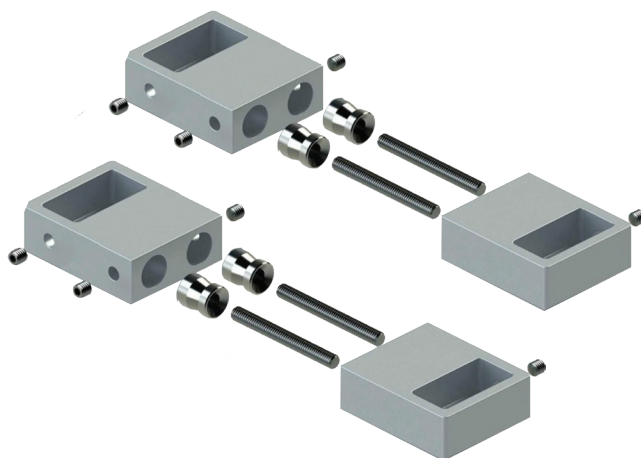
424.826.004.002

40x40 Square Akbank Handle Kit



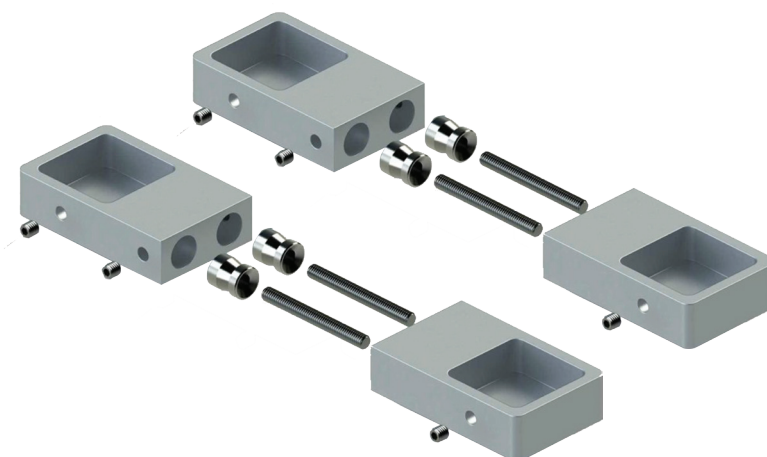
424.826.005.001

20x40 Pool Akbank Handle Kit



424.826.005.002

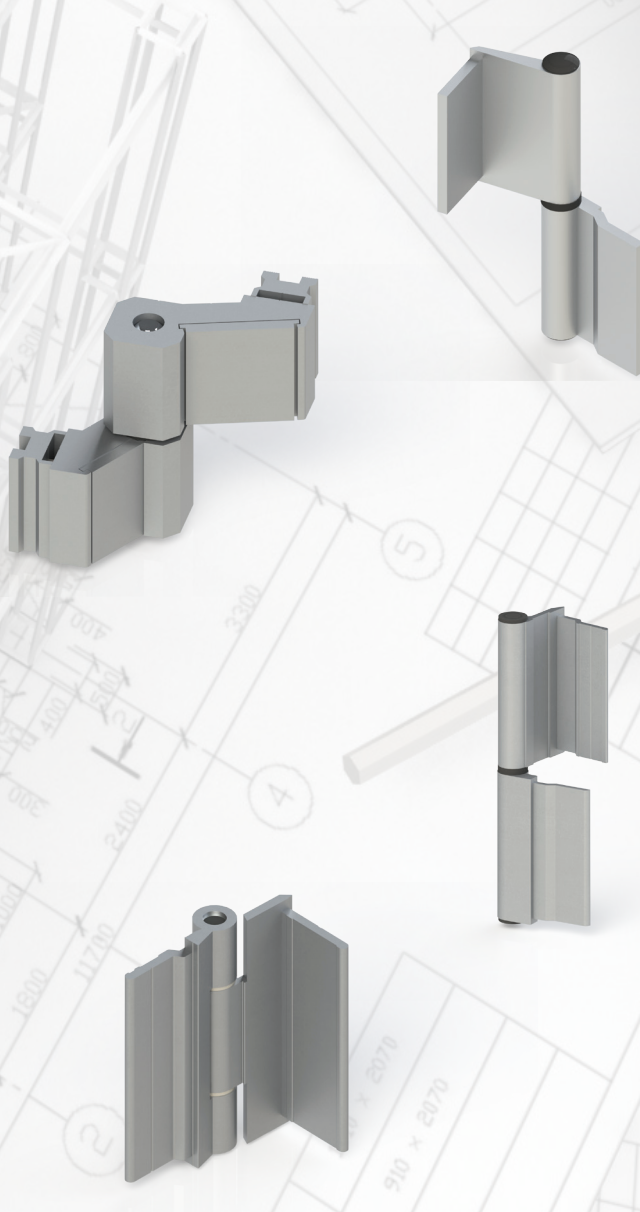
40x40 Pool Akbank Handle Kit



Fornax AluMotion

**ALUMINIUM
WINDOW & DOOR
HINGES**

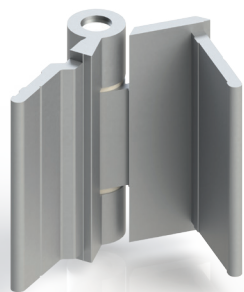
Fornax AluMotion
ALUMINIUM
WINDOW & DOOR HINGES



Fornax AluMotion
Aluminium Window Door Hinges

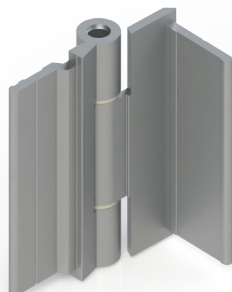
424.827.001.001

Aldoks Splice Hinge



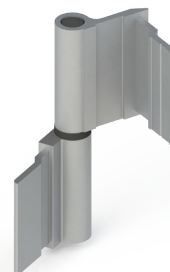
424.827.001.002

Aldoks Splice Hinge Long



424.827.002.001

Aldoks Flat Hinge



424.827.002.002

Aldoks Hinge with Joint



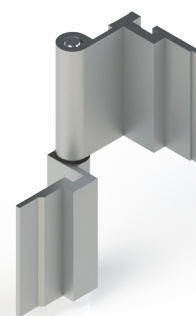
424.827.002.003

Aldoks Flat Hinge Long



424.827.003.001

Altema Beysan Hinge



424.827.004.001

System Hinge Double



424.827.004.002

System Hinge Triple



424.827.005.001

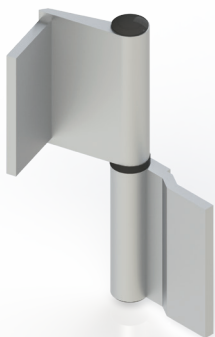
Insulated Hinge



Fornax AluMotion
Aluminium Window Door Hinges

424.827.006.001

Splice Flat Hinge



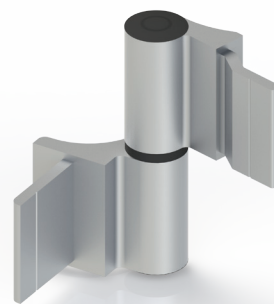
424.827.007.001

C60 Splice Door Hinge



424.827.007.002

Splice Door Hinge



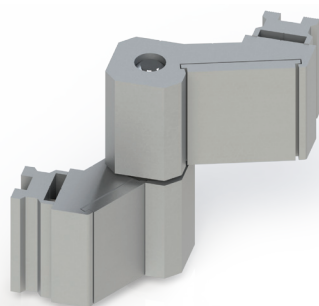
424.827.007.003

Asa Door Hinge



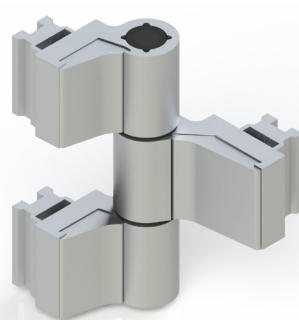
424.827.007.004

C60 Door Hinge Double



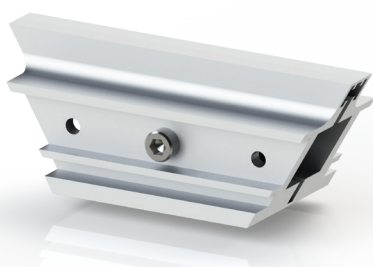
424.827.007.005

C60 Door Hinge Triple



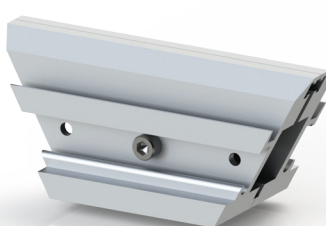
424.827.008.001

Aldoks Pivot Hinge Triangle



424.827.008.002

Insulated Pivot Hinge



424.827.008.003

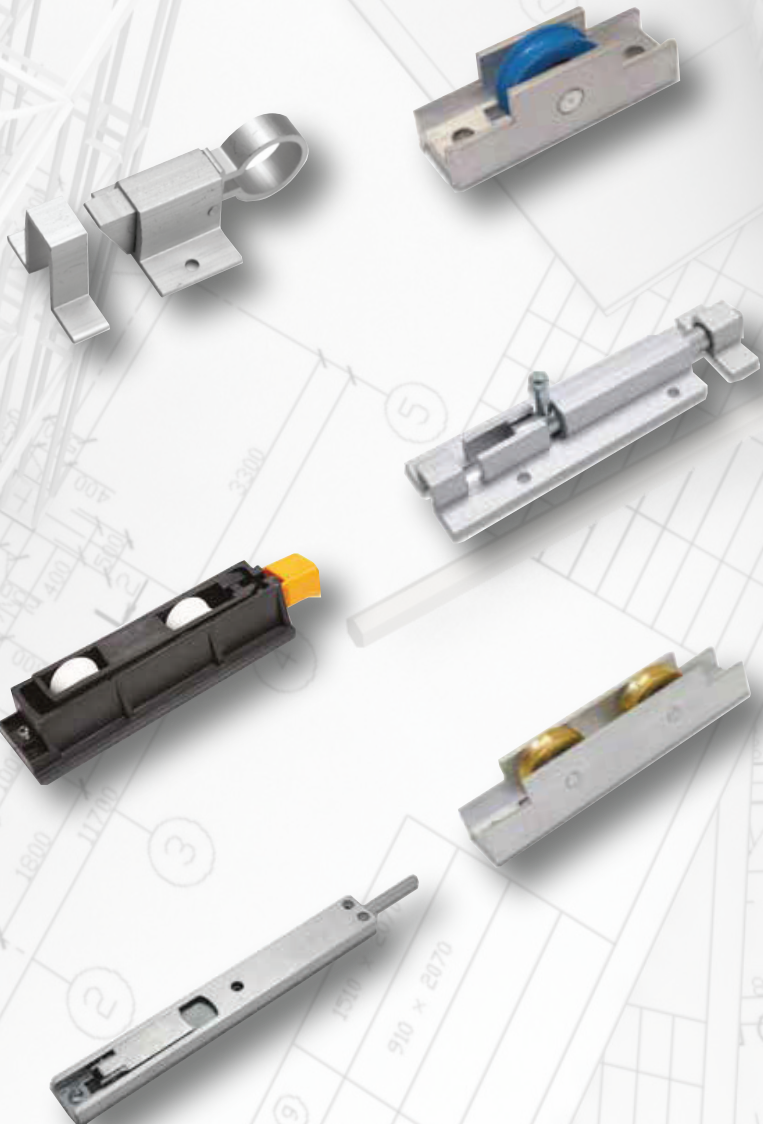
Aldoks Pivot Hinge Horseshoe



Fornax AluMotion

**ALUMINIUM
WINDOW & DOOR
ACCESSORIES**

Fornax AluMotion
ALUMINIUM
WINDOW & DOOR ACCESSORIES



Fornax AluMotion
Aluminium Window & Door Accessories

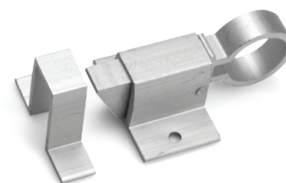
424.828.112.001
Zamac Pull Catch



424.828.115.001
Plastic Pull Catch



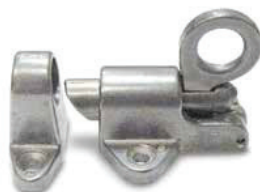
424.828.102.001
Pull Catch



424.828.101.001
Insulated Pull Catch



424.828.113.001
Iron Pull Catch



424.829.109.001
Aldoks Friction Stay 13cm



424.830.101.001
Bolt Short



424.830.102.001
Bolt Long



424.830.103.001
Insulated Bolt Long



Fornax AluMotion
Aluminium Window & Door Accessories

424.830.104.001
Insulated Bolt Short



424.830.105.001
Aldoks Flush Bolt



424.830.106.001
Mepra Bolt



424.830.109.001
Painted Bolt Long



424.830.110.001
Painted Bolt Short



424.830.109.001
Bolt with Stem



424.830.104.001
Steel Bolt



424.831.107.001
Sliding Roller Single (Plastic)



424.831.106.001
Sliding Roller Double (Plastic)



Fornax AluMotion
Aluminium Window & Door Accessories

424.831.109.001

Sliding Roller (Single-Brass)



424.831.108.001

Sliding Roller (Double-Brass)



424.831.110.001

Big Sliding Roller (Single-Brass)



424.831.131.001

Metal - Sliding Roller (Single-Plastic)



424.831.129.001

Metal - Sliding Roller (Double-Plastic)



424.831.132.001

Big Metal-Sliding Roller (Single-Plastic)



424.831.122.001

Heavy Sliding Roller (Four Wheel)



424.831.130.001

Heavy Sliding Roller (Double-Plastic)



424.831.134.001

Heavy-Middle Sliding Roller (Double-Plastic)



Fornax AluMotion
Aluminium Window & Door Accessories

424.831.127.001

Sliding Roller Double Plastic - 127



424.831.133.001

Sliding Roller Double Plastic - 133



424.831.105.001

Sliding Flyscreen Roller - 105



424.831.128.001

Sliding Flyscreen Roller - 128



424.831.123.001

Sliding System Roller - 123



424.831.125.001

Sliding System Roller - 125



424.831.126.001

Sliding System Roller - 124



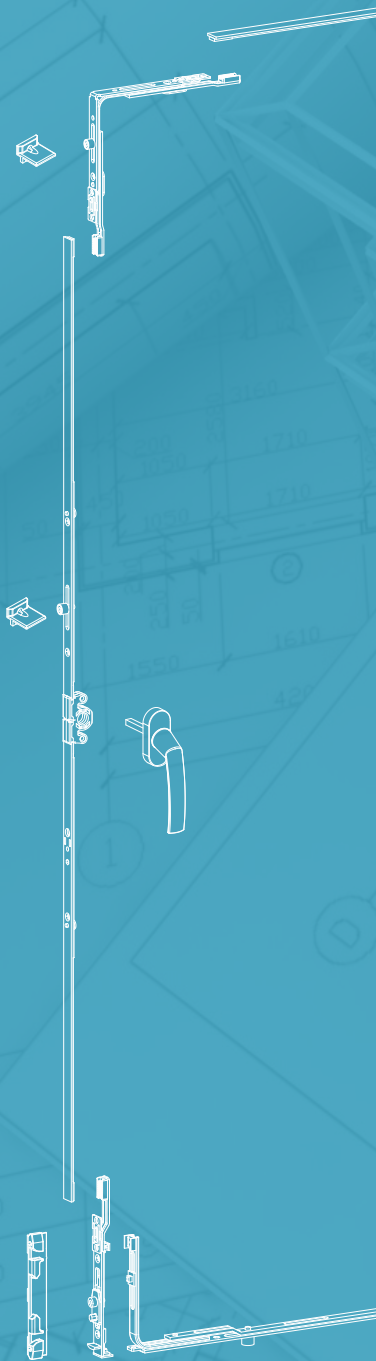
424.831.124.001

Sliding System Roller - 124



Fornax AluMotion

**ALUMINIUM
DOOR-WINDOW
SYSTEMS**

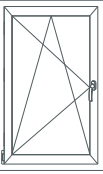




Fornax AluMotion
PERIMETRIC GROOVE ALUMINIUM
DOOR-WINDOW SYSTEMS



PERIMETRIC GROOVE



Fornax AluAction
Perimetric Groove Aluminium
Tilt & Turn Systems

Easy Installation

Fornax Alu Perimetric Groove Tilt & Turn System contributes to window technology with its innovative features. Provides flexible use of space with easy installation of new fittings and different combination of installation.

Demand in the market is usually the standard opening. Fornax Alu Perimetric Groove Tilt & Turn system has aesthetic appearance and is standard for Tilt & Turn windows up to 100 kg.

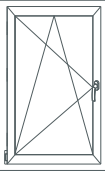
Can be used all over the world both economically and practically.



Our Advantages

- Our system is suitable for Fixed Handle (FH) application.
- Carrying capacity is ideally suitable for tilt & turn, turn only and tilt only windows up to 100 kg. of sashes
- Saves time in installation.
- Our system has two type of hinge options including clipped and corner connection.
- Micro Ventilated Corner Transmission is available in our product portfolio.





Fornax AluAction
Perimetric Groove Aluminium
Tilt & Turn Systems

System Specifications

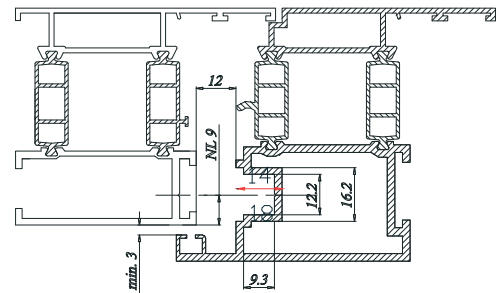
- KG - Sash Width400mm - 1600mm
- KY - Sash Height.....480mm - 2400 mm
- KA,kg_{max} - Sash Weight.....max. 100 kg
- YK - Surface CoatingAlkali-Zinc

Color Options

- Our Standart Colors
For other colors please ask your sales representative

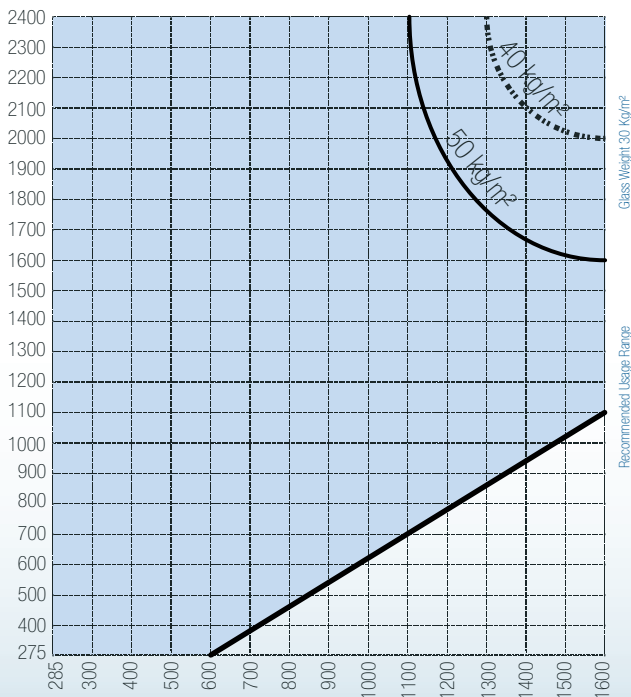


** All the dimenitions in the catalog are mm.



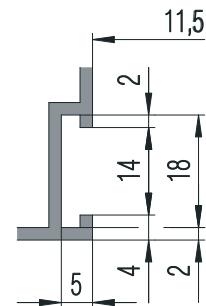
100 kg Load Diagram

Glass Weight kg/m

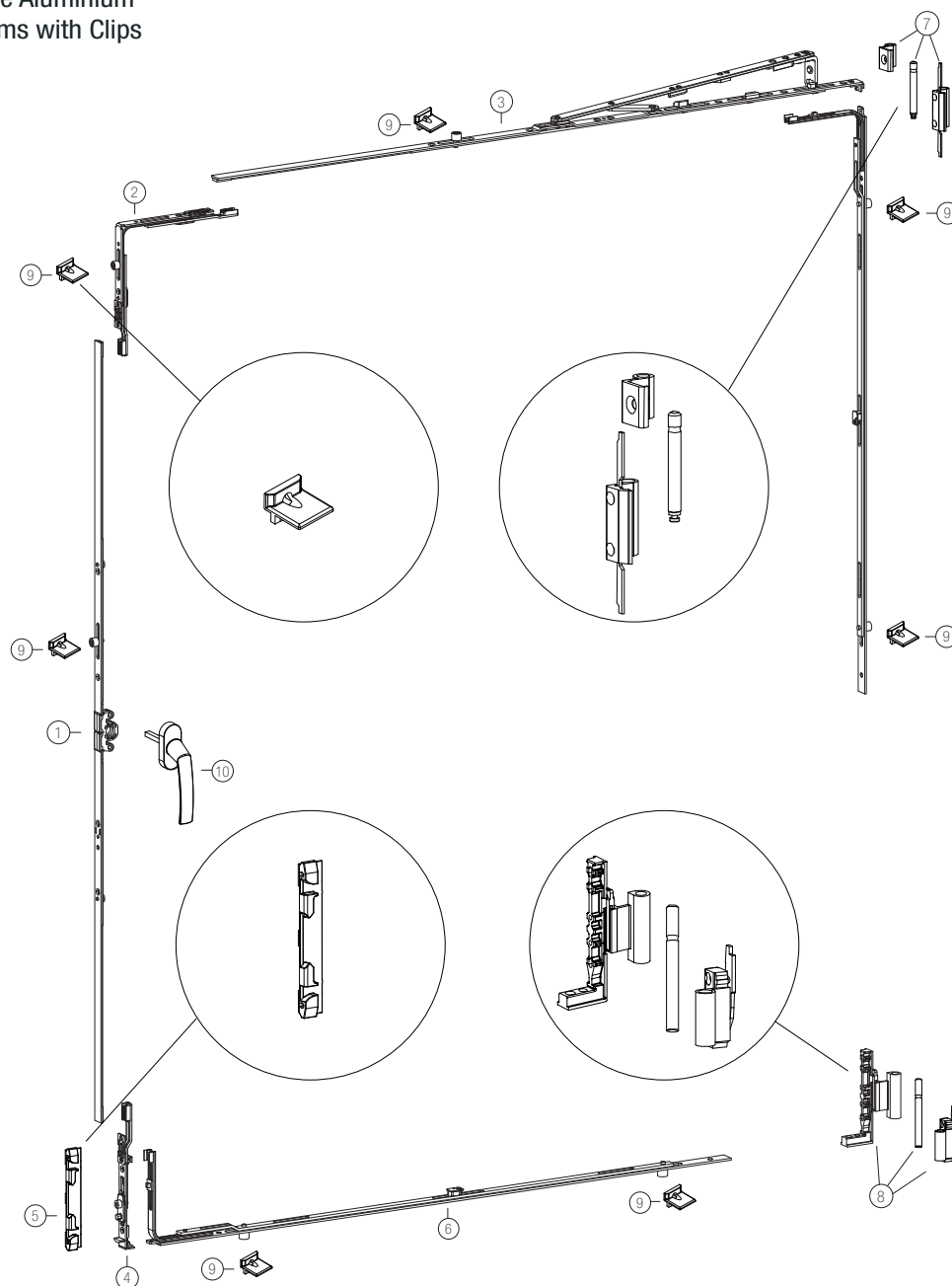


Note: Values in graphic shows glass weight. kg/m²

Frame Dimensions 14/18



Fornax AluAction
Perimetric Groove Aluminium
Tilt & Turn Systems with Clips



- | | | | |
|---|--------------------------|---|------------------|
| ① | Tilt & Turn Espagnolette | ⑥ | Middle Lock |
| ② | Corner Transmisson | ⑦ | Top Hinge Set |
| ③ | Stay Arm | ⑧ | Bottom Hinge Set |
| ④ | Bottom Lock | ⑨ | Locking Striker |
| ⑤ | Bottom Lock Striker | ⑩ | Handle |

Fornax AluAction
Perimetric Groove Aluminium
Tilt & Turn Systems with Clips

Product Description	Code	Group	Usage Range	Sash Lifting & Faulty Usage Security	Striker	Pcs.
15 mm Espagnolette	185.010.601.000	GR:00	480 - 700	☹	-	10 Pcs.
	185.010.701.000	GR:01	585 - 1000	☹	-	10 Pcs.
	185.011.801.000	GR:01-1	685 - 1100	☺	1	10 Pcs.
	185.021.001.000	GR:02	885 - 1300	☺	1	10 Pcs.
	185.021.101.000	GR:02-2	985 - 1400	☺	1	10 Pcs.
	185.021.301.000	GR:03	1185 - 1600	☺	1	10 Pcs.
	185.021.501.000	GR:04	1385 - 1800	☺	2	10 Pcs.
	185.021.701.000	GR:05	1585 - 2000	☺	2	10 Pcs.
	185.022.101.000	GR:06	1985 - 2400	☺	2	10 Pcs.
Corner Transmission	181.010.001.000					1 Pc.
			Usage Range with Small Corner Transmission			
Stay Arm	182.010.401.000	GR:01	395 - 600	286 - 470	-	10 Pcs.
	182.010.601.000	GR:02	595 - 800	486 - 690	-	10 Pcs.
	182.010.501.000	GR:02-1	595 - 800		1	10 Pcs.
	182.010.801.000	GR:03	795 - 1000		1	10 Pcs.
	182.011.001.000	GR:04	995 - 1200		1	10 Pcs.
	182.011.201.000	GR:05	1195 - 1400		1	10 Pcs.
	182.011.401.000	GR:06	1395 - 1600		1	10 Pcs.
Bottom Lock	184.010.001.000				1	100 Pcs.
Bottom Lock Striker	189.100.001.000	Axis 13				100 Pcs.
		Group				
Middle Lock	183.010.401.000	GR:00	400 - 800		1	10 Pcs.
	183.010.601.000	GR:01	700 - 1150		2	10 Pcs.
	183.010.801.000	GR:02	1150 - 1500		2	10 Pcs.
	183.010.901.000	GR:02-1	1350 - 1600		3	10 Pcs.
	183.011.001.000	GR:03	1500 - 1850		3	10 Pcs.
	183.011.401.000	GR:04	1500 - 2100		3	10 Pcs.
	183.011.801.000	GR:05	2100 - 2400		4	10 Pcs.
		Axis				
Top Hinge Set	203.730.305.300	9-18				100 Pcs.
	203.730.305.400	9-20				100 Pcs.
	203.750.305.300	13-18				100 Pcs.
	203.750.305.400	13-20				100 Pcs.
		Axis				
Bottom Hinge Set	203.730.306.300	9-18				100 Pcs.
	203.730.306.400	9-20				100 Pcs.
	203.750.306.300	13-18				100 Pcs.
	203.750.306.400	13-20				100 Pcs.
Locking Striker	220.250.010.000					100 Pcs.
		Description			Colour	
T&T Handle	201.800.000.000	Universal T&T Handle			Raw	1 Pc.
	201.800.000.001	Universal T&T Handle			Ral-9016 White	1 Pc.
	201.800.000.002	Universal T&T Handle			Anodized	1 Pc.
	201.800.000.003	Universal T&T Handle			Special Colour	1 Pc.
Optional Part	187*	7,5 mm. Espagnolette H> 585 -2400				
	185*	15 mm. FH Espagnolette H> 295 -2100				
	181*	Standard Small Corner Transmission				
	181*	Security Corner Transmission (SE)				
	181*	Security Small Corner Transmission (SE)				
	18*	Bottom Tilt Striker				
	18*	Additional Locking Espagnolette L>420-630				
	18*	Security Locking Plate				

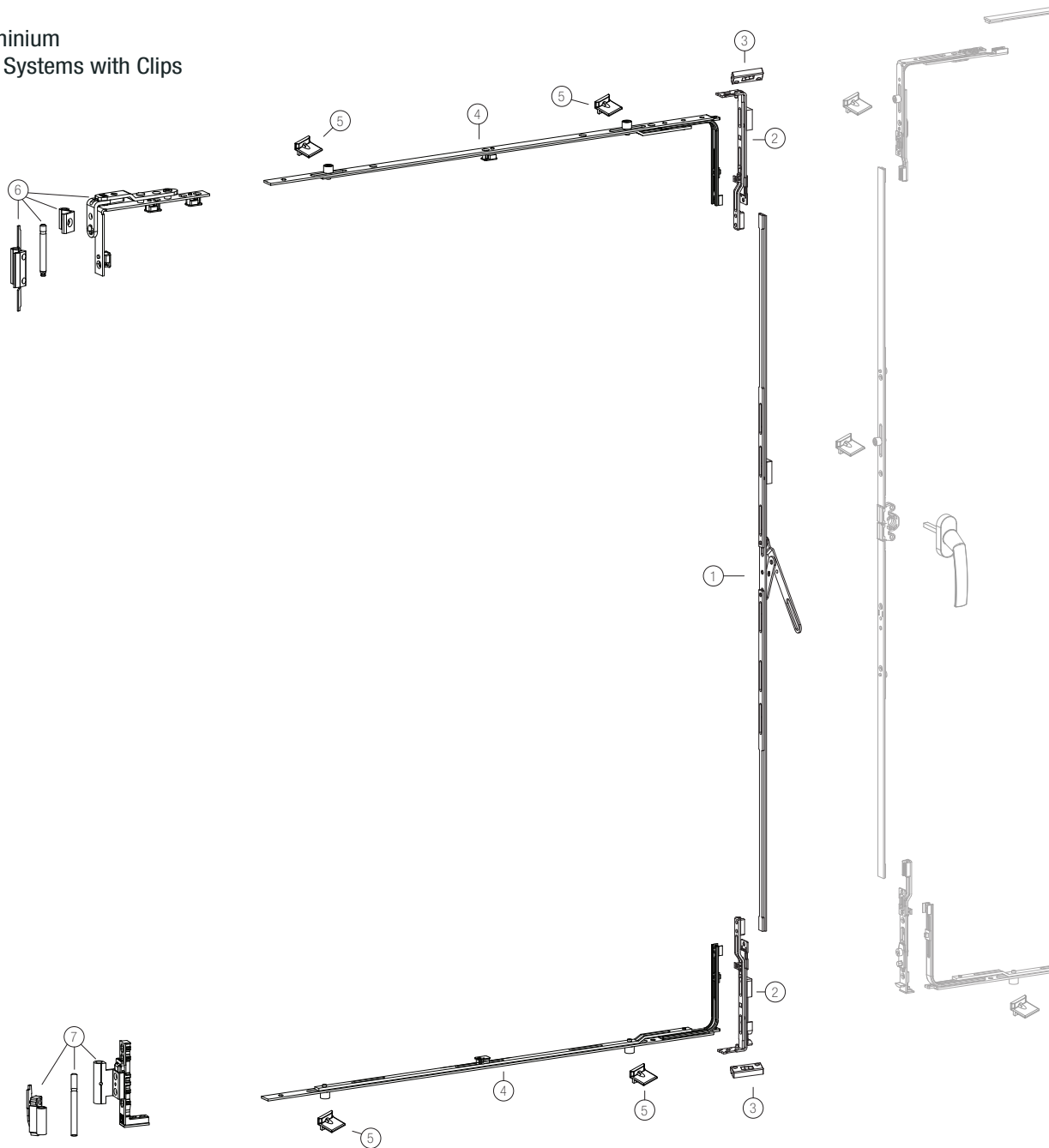
Color Options

- Our Standart Colors
- For other colors please ask your sales representative



** All the dimentionis in the catalog are mm.

Fornax AluAction
Perimetric Groove Aluminium
Double Sash-Tilt&Turn Systems with Clips



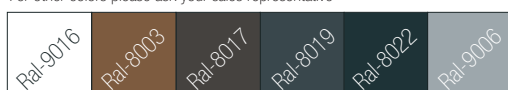
- ① Double Sash Espagnolette
- ② Espagnolette Bolt Set 9-13
- ③ Espagnolette Bolt Set Striker 9-13
- ④ Middle Lock
- ⑤ Locking Striker
- ⑥ Top Hinge Set
- ⑦ Bottom Hinge Set

Fornax AluAction
Perimetric Groove Aluminium
Double Sash-Tilt&Turn Systems with Clips

Product Description	Code	Group	Usage Range	Striker	Pcs.
Double Sash	188.010.701.000	GR:01	585 - 1000	-	10 Pcs.
Espagnolette	188.021.001.000	GR:02	885 - 1300	1	10 Pcs.
	188.021.301.000	GR:03	1185 - 1600	1	10 Pcs.
	188.021.501.000	GR:04	1385 - 1800	2	10 Pcs.
	188.021.701.000	GR:05	1585 - 2000	2	10 Pcs.
	188.022.101.000	GR:06	1985 - 2400	2	10 Pcs.
		Axis			
Espagnolette Bolt Set	186.280.001.000	9			100 Pcs.
	186.290.001.000	13			100 Pcs.
Espagnolette Bolt Set	186.240.001.000	9			100 Pcs.
Striker	186.250.001.000	13			100 Pcs.
		Group			
Middle Lock	183.010.401.000	GR:00	400 - 800	1	10 Pcs.
	183.010.601.000	GR:01	700 - 1150	2	10 Pcs.
	183.010.801.000	GR:02	1150 - 1500	2	10 Pcs.
	183.010.901.000	GR:02-1	1350 - 1600	3	10 Pcs.
	183.011.001.000	GR:03	1500 - 1850	3	10 Pcs.
	183.011.401.000	GR:04	1500 - 2100	3	10 Pcs.
	183.011.801.000	GR:05	2100 - 2400	4	10 Pcs.
Locking Striker	220.250.010.000				100 Pcs.
		Axis			
Top Hinge Set	203.730.305.300	9-18			100 Pcs.
	203.730.305.400	9-20			100 Pcs.
	203.750.305.300	13-18			100 Pcs.
	203.750.305.400	13-20			100 Pcs.
Bottom Hinge Set	203.730.306.300	9-18			100 Pcs.
	203.730.306.400	9-20			100 Pcs.
	203.750.306.300	13-18			100 Pcs.
	203.750.306.400	13-20			100 Pcs.

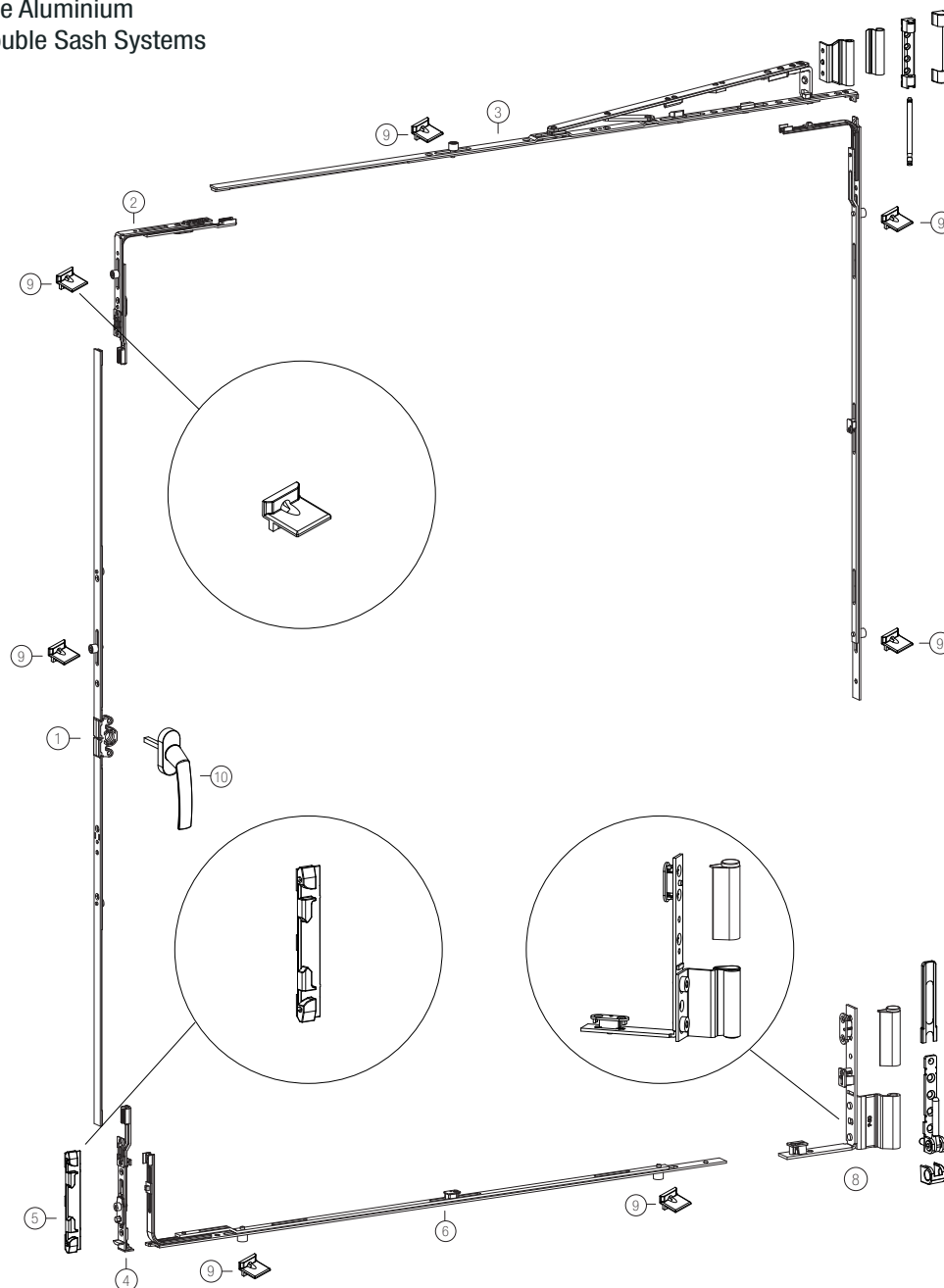
Color Options

- Our Standart Colors
- For other colors please ask your sales representative



** All the dimention in the catalog are mm.

Fornax AluAction
Perimetric Groove Aluminium
Rebate Hinge Double Sash Systems

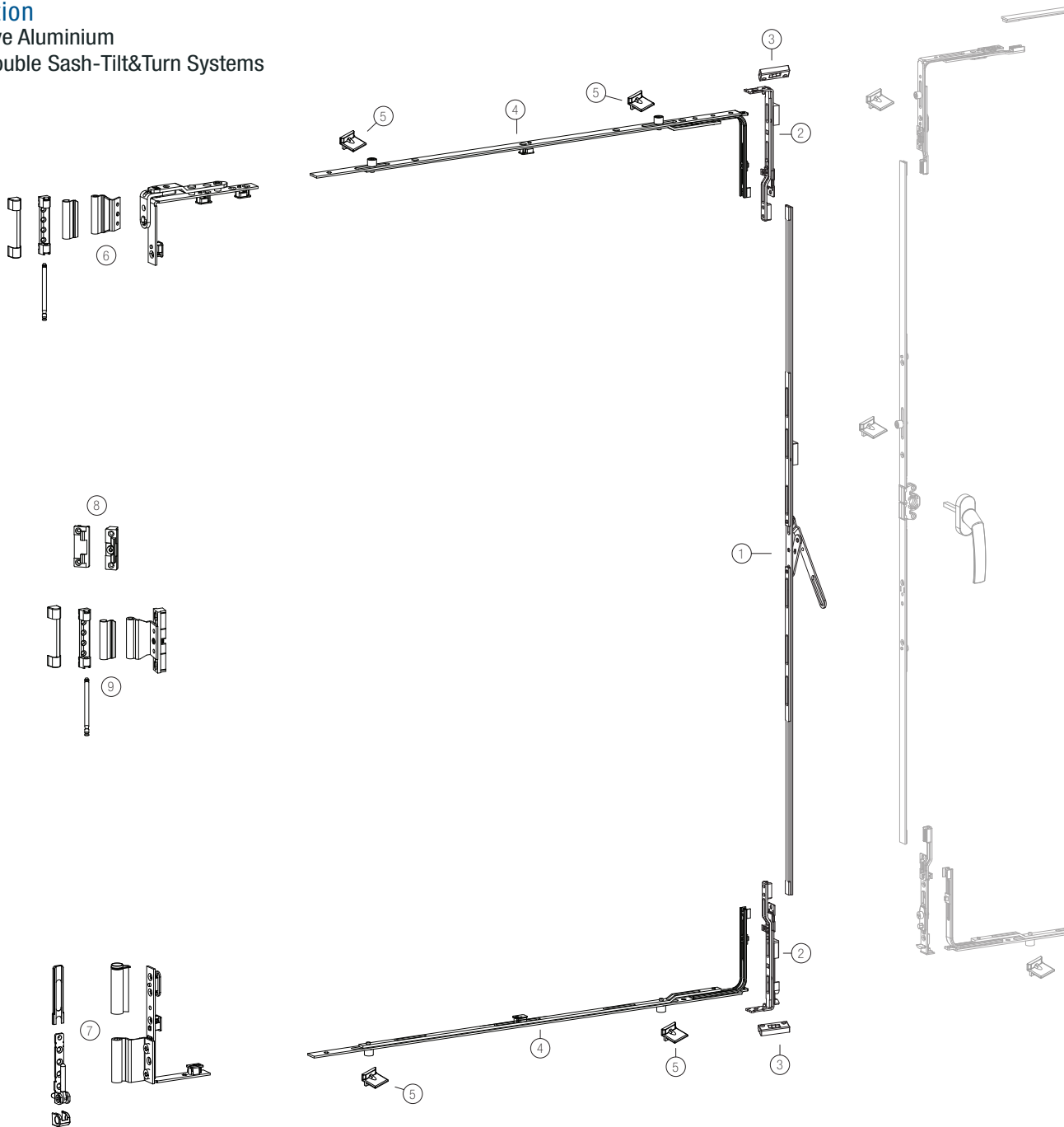


- | | | | |
|---|---------------------|---|------------------|
| ① | T&T Espagnolette | ⑥ | Middle Lock |
| ② | Corner Transmission | ⑦ | Top Hinge Set |
| ③ | Stay Arm | ⑧ | Bottom Hinge Set |
| ④ | Bottom Lock | ⑨ | Locking Striker |
| ⑤ | Bottom Lock Striker | ⑩ | Handle |

Fornax AluAction
Perimetric Groove Aluminium
Rebate Hinge Double Sash Systems

Product Description	Code	Group	Usage Range	Sash Lifting & Faulty Use Security	Striker	Pcs.
15 mm Espagnolette	185.010.601.000	GR:00	480 - 700	☹	-	10 Pcs.
	185.010.701.000	GR:01	585 - 1000	☹	-	10 Pcs.
	185.011.801.000	GR:01-1	685 - 1100	☺	1	10 Pcs.
	185.021.001.000	GR:02	885 - 1300	☺	1	10 Pcs.
	185.021.101.000	GR:02-2	985 - 1400	☺	1	10 Pcs.
	185.021.301.000	GR:03	1185 - 1600	☺	1	10 Pcs.
	185.021.501.000	GR:04	1385 - 1800	☺	2	10 Pcs.
	185.021.701.000	GR:05	1585 - 2000	☺	2	10 Pcs.
	185.022.101.000	GR:06	1985 - 2400	☺	2	10 Pcs.
Corner Transmission	181.010.001.000					1 Pc.
<i>Usage Range with Small Corner Transmission</i>						
Stay Arm	182.010.401.000	GR:01	395 - 600	286 - 470	-	10 Pcs.
	182.010.601.000	GR:02	595 - 800	486 - 690	-	10 Pcs.
	182.010.501.000	GR:02-1	595 - 800		1	10 Pcs.
	182.010.801.000	GR:03	795 - 1000		1	10 Pcs.
	182.011.001.000	GR:04	995 - 1200		1	10 Pcs.
	182.011.201.000	GR:05	1195 - 1400		1	10 Pcs.
	182.011.401.000	GR:06	1395 - 1600		1	10 Pcs.
Bottom Lock	184.010.001.000				1	100 Pcs.
Bottom Lock Striker	189.100.001.000	Axis 13 Group				100 Pcs.
Middle Lock	183.010.401.000	GR:00	400 - 800		1	10 Pcs.
	183.010.601.000	GR:01	700 - 1150		2	10 Pcs.
	183.010.801.000	GR:02	1150 - 1500		2	10 Pcs.
	183.010.901.000	GR:02-1	1350 - 1600		3	10 Pcs.
	183.011.001.000	GR:03	1500 - 1850		3	10 Pcs.
	183.011.401.000	GR:04	1500 - 2100		3	10 Pcs.
	183.011.801.000	GR:05	2100 - 2400		4	10 Pcs.
Top Hinge Set	201.730.315.200	9-20	Ø3	Look at the colour table		100 Pcs.
	201.730.315.400	10-20	Ø3	Look at the colour table		100 Pcs.
	201.730.315.500	13-20	Ø3	Look at the colour table		100 Pcs.
	201.730.315.700	14-22	Ø3	Look at the colour table		100 Pcs.
	201.730.315.600	13-22	Ø3	Look at the colour table		100 Pcs.
	201.730.325.200	9-20	Ø6	Look at the colour table		100 Pcs.
	201.730.325.400	10-20	Ø6	Look at the colour table		100 Pcs.
	201.730.325.500	13-20	Ø6	Look at the colour table		100 Pcs.
	201.730.325.700	14-22	Ø6	Look at the colour table		100 Pcs.
	201.730.325.600	13-22	Ø6	Look at the colour table		100 Pcs.
	Bottom Hinge Set	201.730.316.110	Axis 9-18	Right Ø3		
201.730.316.120		9-18	Left Ø3			100 Pcs.
201.730.316.510		13-20	Right Ø3			100 Pcs.
201.730.316.520		13-20	Left Ø3			100 Pcs.
201.730.326.110		9-18	Right Ø6			100 Pcs.
201.730.326.120		9-18	Left Ø6			100 Pcs.
201.730.326.510		13-20	Right Ø6			100 Pcs.
201.730.326.520		13-20	Left Ø6			100 Pcs.
Locking Striker		220.250.010.000				
T&T Handle	201.800.000.000	Description Universal T&T Handle		Colour Raw		1 Pc.
	201.800.000.001	Universal T&T Handle		Ral-9016 White		1 Pc.
	201.800.000.002	Universal T&T Handle		Anodized		1 Pc.
	201.800.000.003	Universal T&T Handle		Special Colour		1 Pc.
Optional Parts	187*	7,5 mm. Espagnolette H> 585 -2400				
	185*	15 mm. FH Espagnolette H> 295 -2100				
	181*	Standard Small Corner Transmission				
	181*	Security Corner Transmission (SE)				
	181*	Security Small Corner Transmission (SE)				
	18*	Bottom Tilt Striker				
	18*	Additional Locking Espagnolette L>420-630				
18*	Security Locking Plate					

Fornax AluAction
Perimetric Groove Aluminium
Rebate Hinge Double Sash-Tilt&Turn Systems



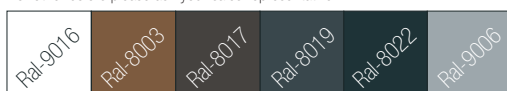
- ① Double Sash Espagnolette
- ② Espagnolette Bolt Set 9-13
- ③ Espagnolette Bolt Set Striker 9-13
- ④ Middle Lock
- ⑤ Locking Striker
- ⑥ Top Hinge Set
- ⑦ Bottom Hinge Set

Fornax AluAction
Perimetric Groove Aluminium
Double Sash-Tilt&Turn with Clips Systems

Product Description	Code	Group	Usage Range	Striker	Pcs.
Double Sash Espagnolette	188.010.701.000	GR:01	585 - 1000		10 Pcs.
	188.021.001.000	GR:02	885 - 1300	1	10 Pcs.
	188.021.301.000	GR:03	1185 - 1600	1	10 Pcs.
	188.021.501.000	GR:04	1385 - 1800	2	10 Pcs.
	188.021.701.000	GR:05	1585 - 2000	2	10 Pcs.
	188.022.101.000	GR:06	1985 - 2400	2	10 Pcs.
Axis					
Espagnolette Bolt Set	186.280.001.000	9			100 Pcs.
	186.290.001.000	13			100 Pcs.
Espagnolette Bolt Set Striker	186.240.001.000	9			100 Pcs.
	186.250.001.000	13			100 Pcs.
Group					
Middle Lock	183.010.401.000	GR:00	400 - 800	1	10 Pcs.
	183.010.601.000	GR:01	700 - 1150	2	10 Pcs.
	183.010.801.000	GR:02	1150 - 1500	2	10 Pcs.
	183.010.901.000	GR:02-1	1350 - 1600	3	10 Pcs.
	183.011.001.000	GR:03	1500 - 1850	3	10 Pcs.
	183.011.401.000	GR:04	1500 - 2100	3	10 Pcs.
183.011.801.000	GR:05	2100 - 2400	4	10 Pcs.	
Locking Striker	220.250.010.000				100 Pcs.
Top Hinge Set	201.730.315.200	9-20	Ø3	Look at the colour table	100 Pcs.
	201.730.315.400	10-20	Ø3	Look at the colour table	100 Pcs.
	201.730.315.500	13-20	Ø3	Look at the colour table	100 Pcs.
	201.730.315.700	14-22	Ø3	Look at the colour table	100 Pcs.
	201.730.315.600	13-22	Ø3	Look at the colour table	100 Pcs.
	201.730.325.200	9-20	Ø6	Look at the colour table	100 Pcs.
	201.730.325.400	10-20	Ø6	Look at the colour table	100 Pcs.
	201.730.325.500	13-20	Ø6	Look at the colour table	100 Pcs.
	201.730.325.700	14-22	Ø6	Look at the colour table	100 Pcs.
	201.730.325.600	13-22	Ø6	Look at the colour table	100 Pcs.
Axis					
Bottom Hinge Set	201.730.316.110	9-18	Right Ø3		100 Pcs.
	201.730.316.120	9-18	Left Ø3		100 Pcs.
	201.730.316.510	13-20	Right Ø3		100 Pcs.
	201.730.316.520	13-20	Left Ø3		100 Pcs.
	201.730.326.110	9-18	Right Ø6		100 Pcs.
	201.730.326.120	9-18	Left Ø6		100 Pcs.
	201.730.326.510	13-20	Right Ø6		100 Pcs.
201.730.326.520	13-20	Left Ø6		100 Pcs.	
Middle Hinge Set (Optional)	189.090.001.000	9-20	-		100 Pcs.
	189.091.001.000	10-20	-		100 Pcs.
	189.130.001.000	13-20	-		100 Pcs.
	189.131.001.000	14-22	-		100 Pcs.
	189.132.001.000	13-22	-		100 Pcs.
Pressure Hinge Set	201.730.317.200	9-20	Ø3 Normal	Look at the colour table	100 Pcs.
	201.730.317.500	13-20	Ø3 Normal	Look at the colour table	100 Pcs.
	201.730.327.200	9-20	Ø6 Normal	Look at the colour table	100 Pcs.
	201.730.327.500	13-20	Ø6 Normal	Look at the colour table	100 Pcs.
	201.730.318.200	9-20	Ø3 w/Screw	Look at the colour table	100 Pcs.
	201.730.318.500	13-20	Ø3 w/Screw	Look at the colour table	100 Pcs.
	201.730.328.200	9-20	Ø6 w/Screw	Look at the colour table	100 Pcs.
	201.730.328.500	13-20	Ø6 w/Screw	Look at the colour table	100 Pcs.

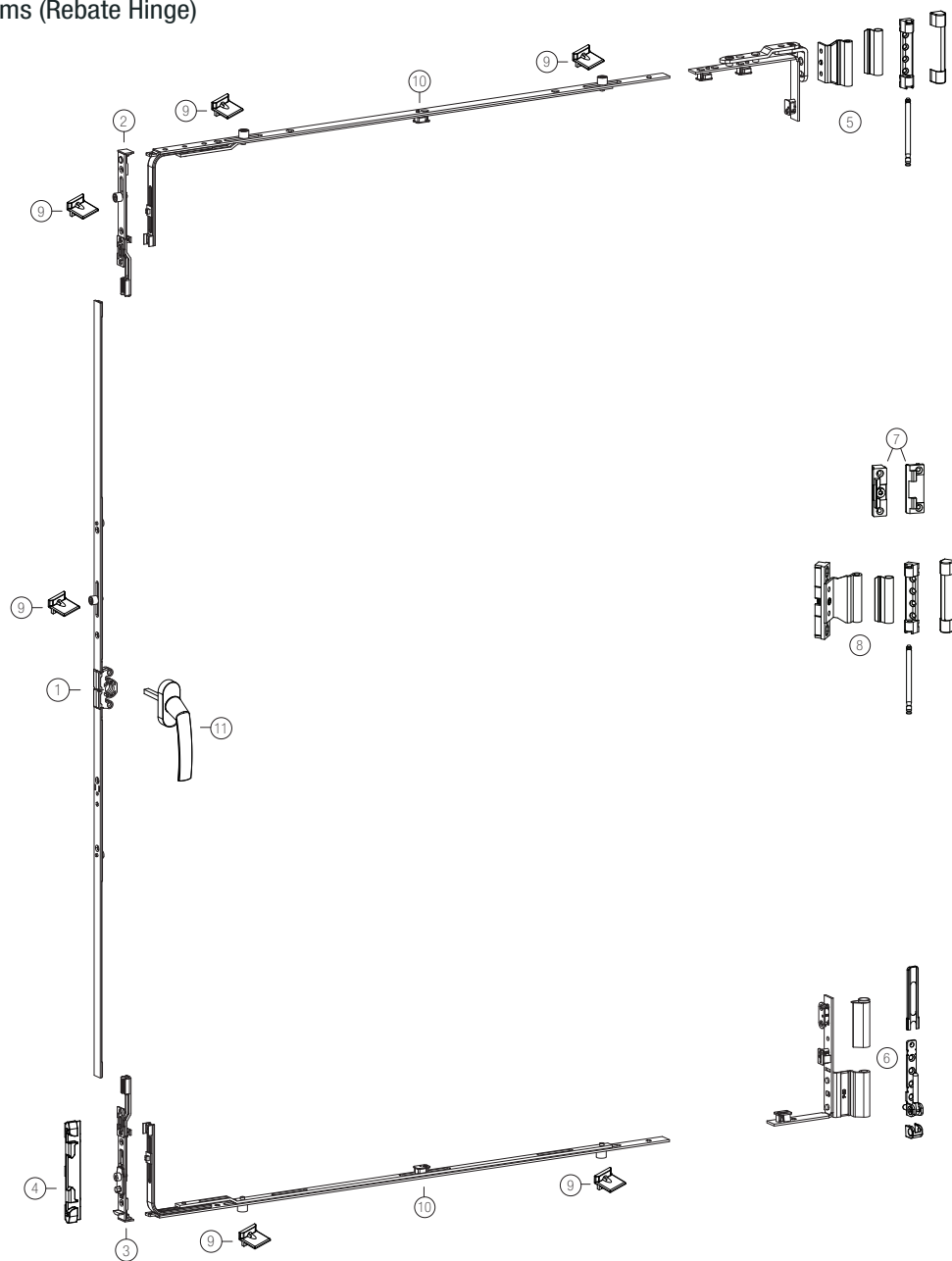
Color Options

- Our Standart Colors
- For other colors please ask your sales representative



** All the dimentionts in the catalog are mm.

Fornax AluAction
Perimetric Groove Aluminium
Turn- Only Systems (Rebate Hinge)

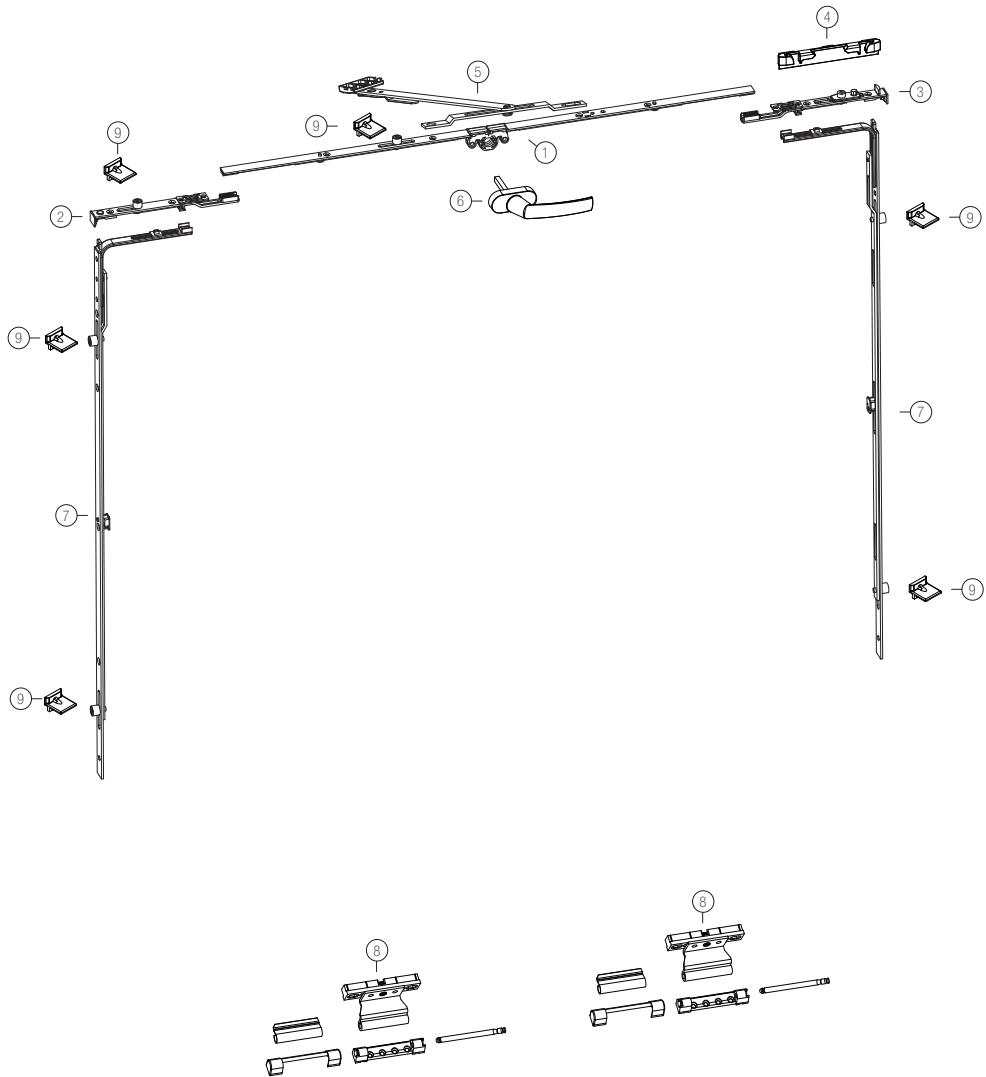


- | | | | |
|---|--|---|---------------------------------|
| ① | T&T Centred Handle Espagnolette | ⑦ | Central Hinge Group (Optional) |
| ② | Top Extension Piece (for Turn-Only System) | ⑧ | Pressure Hinge Group (Optional) |
| ③ | Bottom Extension Piece | ⑨ | Locking Striker |
| ④ | Bottom Extension Piece Striker | ⑩ | Middle Lock (Optional) |
| ⑤ | Top Hinge Group | ⑪ | Handle |
| ⑥ | Bottom Hinge Group | | |

Fornax AluAction
Perimetric Groove Aluminium
Turn- Only Systems (Rebate Hinge)

Product Description	Code	Group	Usage Range	Faulty Usage & Sash Adjustment Device	Striker	Pcs
15 Aks. Centred Handle Espagnolette	185.010.601.000	GR:00	480 - 700	☹	-	10 Pcs
	185.010.701.000	GR:01	585 - 1000	☹	-	10 Pcs
	185.011.801.000	GR:01-1	685 - 1100	☹	1	10 Pcs
	185.021.001.000	GR:02	885 - 1300	☹	1	10 Pcs
	185.021.101.000	GR:02-2	985 - 1400	☹	1	10 Pcs
	185.021.301.000	GR:03	1185 - 1600	☹	1	10 Pcs
	185.021.501.000	GR:04	1385 - 1800	☹	2	10 Pcs
	185.021.701.000	GR:05	1585 - 2000	☹	2	10 Pcs
	185.022.101.000	GR:06	1985 - 2400	☹	2	10 Pcs
Top Extension Piece	184.010.001.000				1	100 Pcs
Bottom Extension Piece	184.010.001.000				1	100 Pcs
Bottom Extension Piece	189.100.001.000	Axis 13				100 Pcs
Striker						
Top Hinge Set	201.730.315.200	9-20	Ø3	Look at the colour table		100 Pcs
	201.730.315.400	10-20	Ø3	Look at the colour table		100 Pcs
	201.730.315.500	13-20	Ø3	Look at the colour table		100 Pcs
	201.730.315.700	14-22	Ø3	Look at the colour table		100 Pcs
	201.730.315.600	13-22	Ø3	Look at the colour table		100 Pcs
	201.730.325.200	9-20	Ø6	Look at the colour table		100 Pcs
	201.730.325.400	10-20	Ø6	Look at the colour table		100 Pcs
	201.730.325.500	13-20	Ø6	Look at the colour table		100 Pcs
	201.730.325.700	14-22	Ø6	Look at the colour table		100 Pcs
	201.730.325.600	13-22	Ø6	Look at the colour table		100 Pcs
Bottom Hinge Set		Axis				
	201.730.316.110	9-18	Right Ø3			100 Pcs
	201.730.316.120	9-18	Left Ø3			100 Pcs
	201.730.316.510	13-20	Right Ø3			100 Pcs
	201.730.316.520	13-20	Left Ø3			100 Pcs
	201.730.326.110	9-18	Right Ø6			100 Pcs
	201.730.326.120	9-18	Left Ø6			100 Pcs
	201.730.326.510	13-20	Right Ø6			100 Pcs
201.730.326.520	13-20	Left Ø6			100 Pcs	
Central Hinge (Optional)	189.090.001.000	9-20	-			100 Pcs
	189.091.001.000	10-20	-			100 Pcs
	189.130.001.000	13-20	-			100 Pcs
	189.131.001.000	14-22	-			100 Pcs
	189.132.001.000	13-22	-			100 Pcs
Pressure Hinge Set	201.730.317.200	9-20	Ø3 Normal	Look at the colour table		100 Pcs
	201.730.317.500	13-20	Ø3 Normal	Look at the colour table		100 Pcs
	201.730.327.200	9-20	Ø6 Normal	Look at the colour table		100 Pcs
	201.730.327.500	13-20	Ø6 Normal	Look at the colour table		100 Pcs
	201.730.318.200	9-20	Ø3 w/Screw	Look at the colour table		100 Pcs
	201.730.318.500	13-20	Ø3 w/Screw	Look at the colour table		100 Pcs
	201.730.328.200	9-20	Ø6 w/Screw	Look at the colour table		100 Pcs
	201.730.328.500	13-20	Ø6 w/Screw	Look at the colour table		100 Pcs
Locking Striker	220.250.010.000					100 Pcs
Middle Lock (Optional)		Group				
	183.010.401.000	GR:00	400 - 800		1	10 Pcs
	183.010.601.000	GR:01	700 - 1150		2	10 Pcs
	183.010.801.000	GR:02	1150 - 1500		2	10 Pcs
	183.010.901.000	GR:02-1	1350 - 1600		3	10 Pcs
	183.011.001.000	GR:03	1500 - 1850		3	10 Pcs
	183.011.401.000	GR:04	1500 - 2100		3	10 Pcs
	183.011.801.000	GR:05	2100 - 2400		4	10 Pcs
T&T Handle	201.800.000.000	Description Universal T&T Handle		Colour Look at the colour table		1 Pcs
Optional Parts	187*	7,5 Aks CH Espagnolette H> 585 - 2400				
	185*	15 Aks CH Espagnolette H> 295 - 2100				
	181*	Standard Narrow Corner Transmission				
	18*	Security Lock Striker				

Fornax AluAction
Perimetric Groove Aluminium
Aluminium Tilt Opening Systems



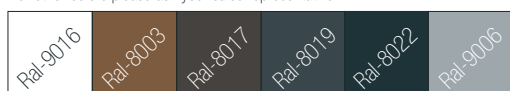
- | | | | |
|---|--|---|-----------------|
| ① | T&T Centred Handle Espagnolette | ⑥ | Window Handle |
| ② | Top Extension Piece (for Turn-Only System) | ⑦ | Middle Lock |
| ③ | Bottom Extension Piece | ⑧ | Pressure Hinge |
| ④ | Bottom Extension Piece Striker | ⑨ | Locking Striker |
| ⑤ | Tilt Opening 130mm / 200mm | | |

Fornax AluAction
Perimetric Groove Aluminium
Aluminium Tilt Opening Systems

Product Description	Code	Group	Usage Range	FaultyUsage & Sash Adjustment Device	Striker	Pcs
15 Aks. Centred Handle	185.010.601.000	GR:00	480 - 700	☹	-	10 Pcs.
Espagnolette	185.010.701.000	GR:01	585 - 1000	☹	-	10 Pcs.
	185.011.801.000	GR:01-1	685 - 1100	☺	1	10 Pcs.
	185.021.001.000	GR:02	885 - 1300	☺	1	10 Pcs.
	185.021.101.000	GR:02-2	985 - 1400	☺	1	10 Pcs.
	185.021.301.000	GR:03	1185 - 1600	☺	1	10 Pcs.
	185.021.501.000	GR:04	1385 - 1800	☺	2	10 Pcs.
	185.021.701.000	GR:05	1585 - 2000	☺	2	10 Pcs.
	185.022.101.000	GR:06	1985 - 2400	☺	2	10 Pcs.
Top Extension Piece	184.010.001.000				1	100 Pcs.
Bottom Extension Piece	184.010.001.000				1	100 Pcs.
Bottom Extension Piece	189.100.001.000	Axis 13				100 Pcs.
Insulated Tilt Opening	499.001.001.014					100 Pcs.
Window Handle	????????????????	Description Universal Window Handle			Colour Look at the colour table	1 Pc.
Middle Lock	183.010.401.000	GR:00	400 - 800		1	10 Pcs.
	183.010.601.000	GR:01	700 - 1150		2	10 Pcs.
	183.010.801.000	GR:02	1150 - 1500		2	10 Pcs.
	183.010.901.000	GR:02-1	1350 - 1600		3	10 Pcs.
	183.011.001.000	GR:03	1500 - 1850		3	10 Pcs.
	183.011.401.000	GR:04	1500 - 2100		3	10 Pcs.
	183.011.801.000	GR:05	2100 - 2400		4	10 Pcs.
Pressure Hinge Set	201.730.317.200	9-20	Ø3 Normal		Look at the colour table	100 Pcs.
	201.730.317.500	13-20	Ø3 Normal		Look at the colour table	100 Pcs.
	201.730.327.200	9-20	Ø6 Normal		Look at the colour table	100 Pcs.
	201.730.327.500	13-20	Ø6 Normal		Look at the colour table	100 Pcs.
	201.730.318.200	9-20	Ø3 w/ screw		Look at the colour table	100 Pcs.
	201.730.318.500	13-20	Ø3 w/ screw		Look at the colour table	100 Pcs.
	201.730.328.200	9-20	Ø6 w/ screw		Look at the colour table	100 Pcs.
	201.730.328.500	13-20	Ø6 w/ screw		Look at the colour table	100 Pcs.
Locking Striker	220.250.010.000					100 Pcs.
Optional Parts	187*	7,5 Axis CH Espagnolette H> 585 - 2400				

Color Options

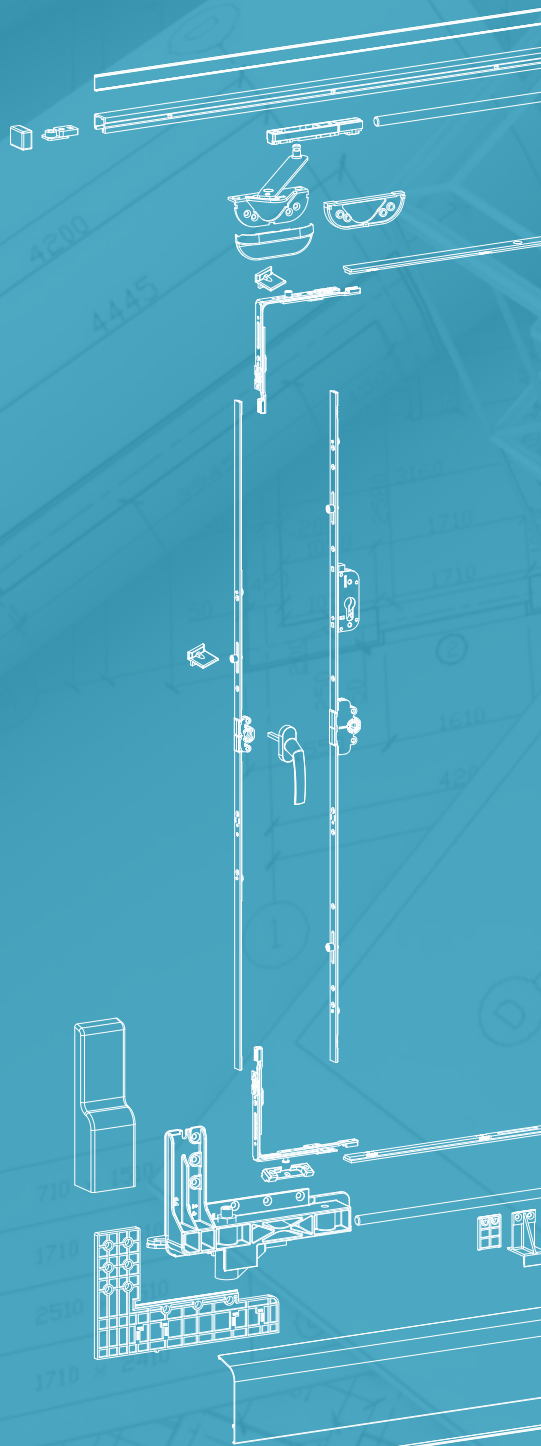
- Our Standart Colors
- For other colors please ask your sales representative

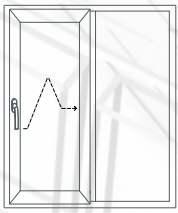


** All the dimenstions in the catalog are mm.

Fornax AluAction

PARALLEL Sliding SYSTEMS

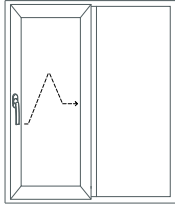




Fornax AluAction
PERIMETRIC GROOVE ALUMINIUM
PARALLEL TILT SLIDING SYSTEMS



PERIMETRIC GROOVE



Fornax AluAction
Perimetric Groove Aluminium
Manual & Semi Otomatic Parallel Sliding Systems

Prestige in Sliding Systems

Fornax Parallel Sliding Systems; A developed system for Sliding Door and Window Fittings which includes T&T Technology and elegance of sliding systems.

Additional profile stock of simple sliding systems is the most effective and prestiged solution.

With its part and associated elements which provides easy and perfect fitting our system which can be practised double and single sash offers completeness and forms a new alternative with its utmost quality and economic way for simple sliding systems.

It provides a comfortable transition possibility among places with its 1600mm opening distance. Sliding technology provides saving of space its inner place with its privilege it presents.

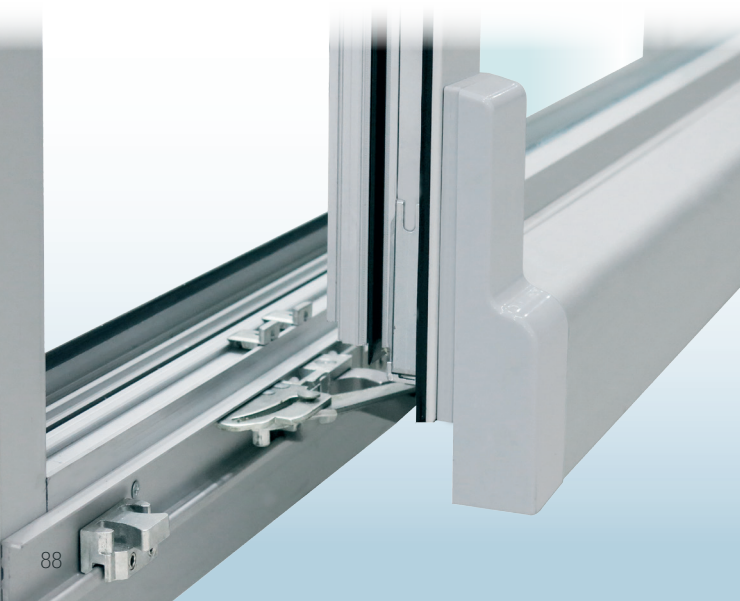
With parallel sliding system can be reached to terrace, -balcony, winter garden and glassed areas easily and is an ideal solution for kitchen, working rooms and offices.

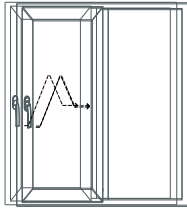
Our system which can be manual and semi automatic operated with its tilting speciality up to 130kg provides ventilation of place without opening the sash completely.



Our Advantages

- Our system provides usage possibility of 30 Aks. Lockable CH Espagnolette.
- Carrying capacity for Sashes up to 130kg
- Time saving on fitting
- Can be operated both manual and semi-automatic





Fornax AluAction
Perimetric Groove Aluminium
Manual & Semi Otomatic Parallel Sliding Systems

Technical Fitting Specifications

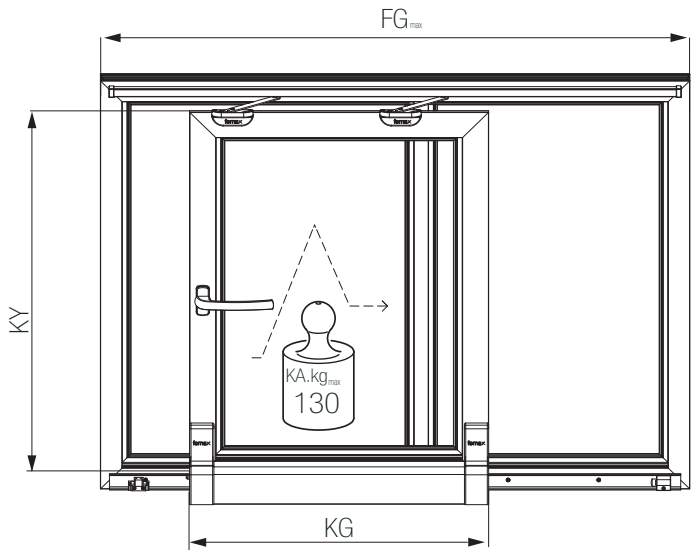
- KG - Width of the Sash500mm - 1600mm
- KY - Height of the Sash.....885mm - 2400mm
- KA.kg_{max} - Weight of the Sash.....max. 130 kg
- FG_{max} - Frame Widthmax. 3200mm

Color Options

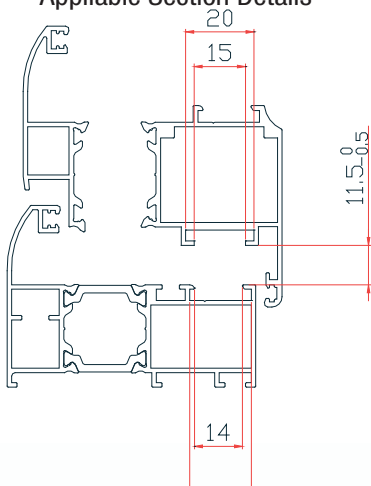
- Our Standart Colors
For other colors please ask your sales representative



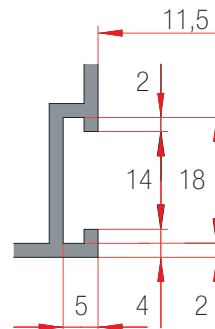
** All the dimenstions in the catalog are mm.



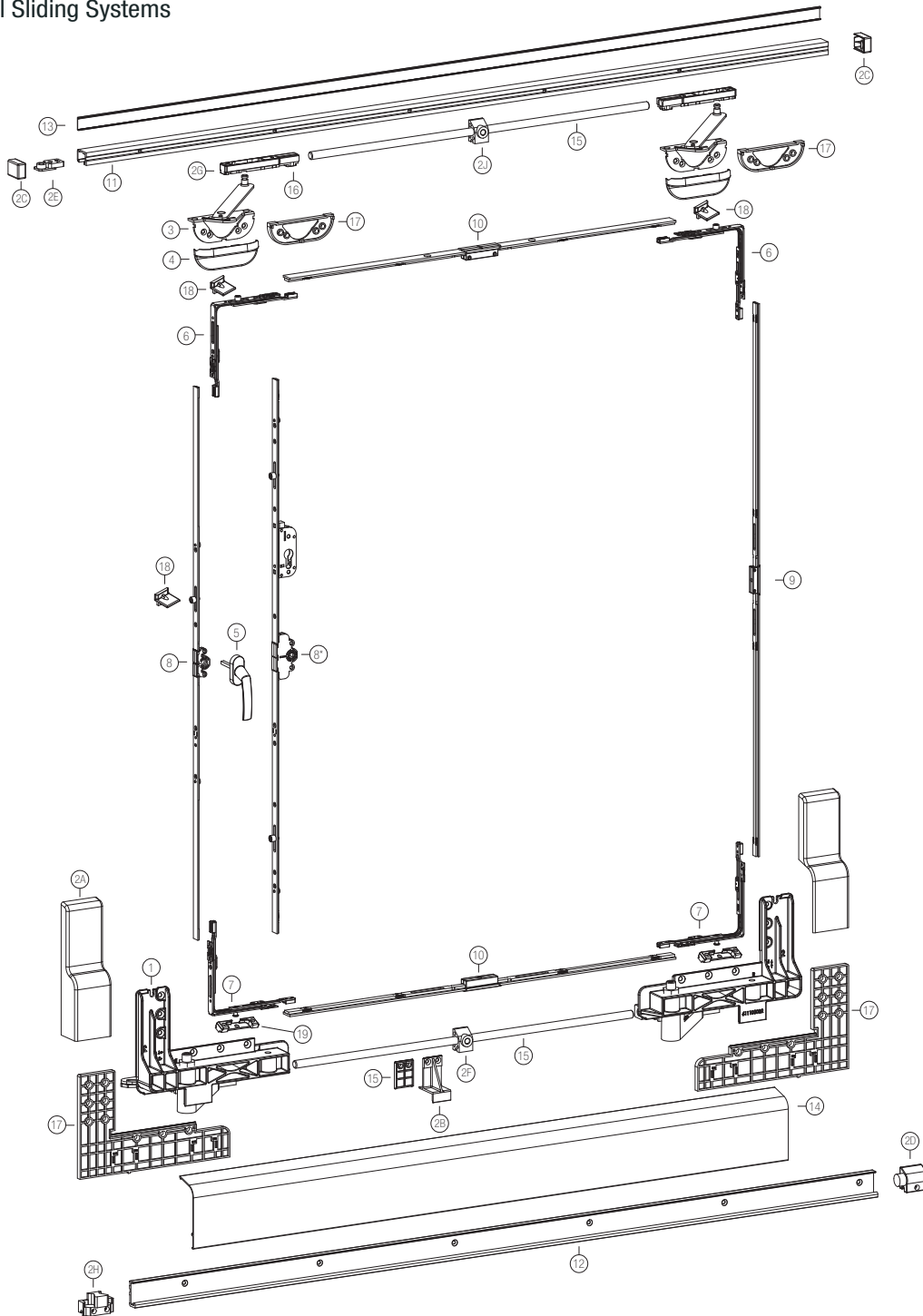
Appliable Section Details



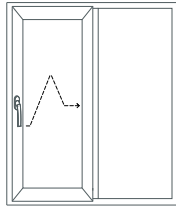
Frame Dimensions 14/18



Fornax AluAction TNS130-M
Perimetric Groove Aluminium
Manual Parallel Sliding Systems



- | | | |
|-----------------------------------|-----------------------------------|--|
| ① 130 Kg Roller Set | ③ Stay Arm Set | ⑬ Top Rail Profile W>2m-6m |
| ②A Roller Cover Set | ④ Stay Arm Cover Set | ⑭ Roller Cover W>2m-6m |
| ②B Cover Support Piece | ⑤ Parallel Sliding Handle | ⑮ Connection Piece |
| ②C Top Rail End Cover Set | ⑥ Corner Transmission | ⑯ Top Connection Holder |
| ②D Bottom Rail Stopper Piece | ⑦ Security Corner Transmission | ⑰ Roller & Stay arm Adaptor Set |
| ②E Top Rail Stopper Piece | ⑧ Centred Handle Espagnolette | ⑱ Locking bolt's Striker |
| ②F Bottom Rail Support Piece | ⑨ Back Connection H480-2400 | ⑲ Security Corner Transmission Striker |
| ②G Stay Arm Rail Connection Piece | ⑩ Top/Bottom Connection W480-1600 | |
| ②H Sash Tilt Piece - | ⑪ Top Rail W>2m-6m | |
| ②I Top Rail Support Piece | ⑫ Bottom Rail W>2m-6m | |



Fornax AluAction TNS130-M
Perimetric Groove Aluminium
Manual Parallel Sliding Systems

Product Description	Code	Group	Vertical	Horizontal	Rail Size	Pcs.
			Esp. Usage Range	Esp. Usage Range		
15 Aks Esp. & Rail Group*	199.320.020.100	A200	885-1300	685-1100	2000	1 Set
	199.320.020.200	B200	1185-1600	685-1100	2000	1 Set
	199.320.020.300	C200	1585-2000	685-1100	2000	1 Set
	199.320.020.400	D200	1985-2400	685-1100	2000	1 Set
	199.320.026.100	A260	885-1300	885-1300	2600	1 Set
	199.320.026.200	B260	1185-1600	885-1300	2600	1 Set
	199.320.026.300	C260	1585-2000	885-1300	2600	1 Set
	199.320.026.400	D260	1985-2400	885-1300	2600	1 Set
	199.320.032.100	A320	885-1300	1185-1600	3200	1 Set
	199.320.032.200	B320	1185-1600	1185-1600	3200	1 Set
	199.320.032.300	C320	1585-2000	1185-1600	3200	1 Set
	199.320.032.400	D320	1985-2400	1185-1600	3200	1 Set

* Esp. & Rail group contents: 1 piece 15 Axis Esp. ,1 Piece Vertical and 2 pieces Horizontal Connection Piece, Bottom Rail, Top Rail, Top Rail Closer Profile, Bottom Roller Cover and Connection Piece

Product Description	Code	Group	Vertical	Horizontal	Rail Size	Pcs.
			Esp. Usage Range	Esp. Usage Range		
30 Aks Esp. & Rail Group*	199.320.120.300	C200	1585-2000	685-1100	2000	1 Set
	199.320.120.400	D200	1985-2400	685-1100	2000	1 Set
	199.320.026.300	C260	1585-2000	885-1300	2600	1 Set
	199.320.126.400	D260	1985-2400	885-1300	2600	1 Set
	199.320.132.300	C320	1585-2000	1185-1600	3200	1 Set
	199.320.132.400	D320	1985-2400	1185-1600	3200	1 Set

* Esp. & Rail group contents: 1 piece 30 Axis Esp. 1 piece Vertical and 2 pieces Horizontal Connection Esp., Bottom Rail, Top Rail, Top Rail Closer Profile, Bottom Roller Cover and Connection Piece

Product Description	Code	Group	Handle	Axis	Right/Left	Pcs
	199.331.200.100	130ML	☑	13	Right	1 Set
	199.331.300.000	130ML	☑	9	Left	1 Set
	199.331.300.100	130ML	☑	13	Left	1 Set
	199.332.200.000	130ML	☐	9	Right	1 Set
	199.332.200.100	130ML	☐	13	Right	1 Set
	199.332.300.000	130ML	☐	9	Left	1 Set
	199.332.300.100	130ML	☐	13	Left	1 Set

* Accessory Group contents: 130 Kg Roller Set, 130 Kg Roller Cover Set, Cover Support Piece, Top Rail End Cover Set, Bottom Rail Stopper Piece, Top Rail Stopper Piece, Bottom Mile Support Piece, Stay Arm Rail Connection Piece, Sash Tilt Piece, Top Mile Support Piece, Stay arm & Cover, Handle(Optional), Corner Transmission, Security Corner Transmission, Security Bottom Lock Striker, Top Rail Connection Holder

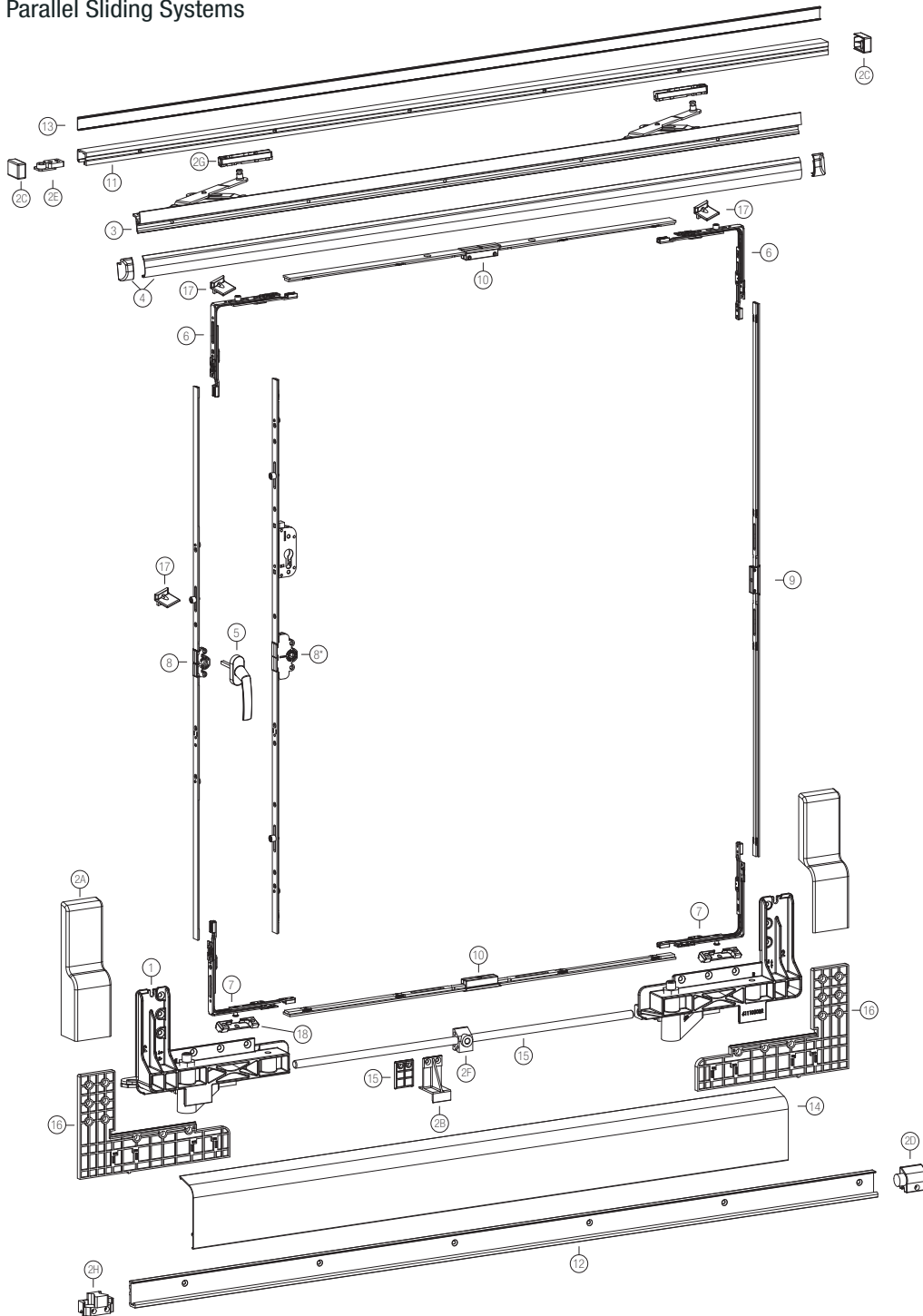
Color Options

- Our Standart Colors
- For other colors please ask your sales representative

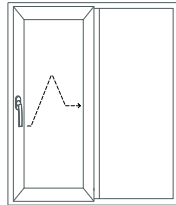


** All the dimention in the catalog are mm.

Fornax AluAction TNS130-ML
Perimetric Groove Aluminium
Luxury Manual Parallel Sliding Systems



- | | | |
|-----------------------------------|-----------------------------------|---------------------------------|
| ① 130 Kg Roller Set | ③ Luxury Stay arm | ⑫ Bottom Rail W>2m-6m |
| ②A Roller Cover Set | ④ Luxury Stay arm Cover Set | ⑬ Top Rail Profile W>2m-6m |
| ②B Cover Support Piece | ⑤ Parallel Sliding Handle | ⑭ Roller Cover W>2m-6m |
| ②C Top Rail End Cover Set | ⑥ Corner Transmission | ⑮ Connection Piece |
| ②D Bottom Rail Stopper Piece | ⑦ Security Corner Transmission | ⑯ Roller & Stay arm Adaptor Set |
| ②E Top Rail Stopper Piece | ⑧ Centred Handle Espagnolette | ⑰ Locking Striker |
| ②F Bottom Mile Support Piece | ⑨ Back Connection H480-2400 | ⑱ Security Corner Transmission |
| ②G Stay Arm Rail Connection Piece | ⑩ Top/Bottom Connection W480-1600 | |
| ②H Sash Tilt Piece | ⑪ Top Rail W>2m-6m | |



Fornax AluAction TNS130-ML
Perimetric Groove Aluminium
Luxury Manual Parallel Sliding

Product Description	Code	Group	Vertical Esp. Usage Range	Horizontal Esp. Usage Range	Rail Size	Pcs.
15 Aks Esp.& Rail Group*	199.320.020.100	A200	885-1300	685-1100	2000	1 Set
	199.320.020.200	B200	1185-1600	685-1100	2000	1 Set
	199.320.020.300	C200	1585-2000	685-1100	2000	1 Set
	199.320.020.400	D200	1985-2400	685-1100	2000	1 Set
	199.320.026.100	A260	885-1300	885-1300	2600	1 Set
	199.320.026.200	B260	1185-1600	885-1300	2600	1 Set
	199.320.026.300	C260	1585-2000	885-1300	2600	1 Set
	199.320.026.400	D260	1985-2400	885-1300	2600	1 Set
	199.320.032.100	A320	885-1300	1185-1600	3200	1 Set
	199.320.032.200	B320	1185-1600	1185-1600	3200	1 Set
	199.320.032.300	C320	1585-2000	1185-1600	3200	1 Set
	199.320.032.400	D320	1985-2400	1185-1600	3200	1 Set

* Esp.&Rail group contents: 1 piece 15 Axis Esp. 1 piece Vertical and 2 pieces Horizontal Connection Esp., Bottom Rail, Top Rail, Top Rail Closer Profile Bottom Roller Cover and Connection Piece

Product Description	Code	Group	Vertical Esp. Usage Range	Horizontal Esp. Usage Range	Rail Size	Pcs.
30 Aks Esp.& Rail Group*	199.320.120.300	C200	1585-2000	685-1100	2000	1 Set
	199.320.120.400	D200	1985-2400	685-1100	2000	1 Set
	199.320.026.300	C260	1585-2000	885-1300	2600	1 Set
	199.320.126.400	D260	1985-2400	885-1300	2600	1 Set
	199.320.132.300	C320	1585-2000	1185-1600	3200	1 Set
	199.320.132.400	D320	1985-2400	1185-1600	3200	1 Set

* Esp.&Rail group contents: 1 piece 30 Axis Esp. 1 piece Vertical and 2 pieces Horizontal Connection Esp., Bottom Rail, Top Rail, Top Rail Closer Profile, Bottom Roller Cover and Connection Piece

Product Description	Code	Group	Handle	Axis	Right/Left	Pcs.
Accessory Group*	199.331.200.000	130ML	☑	9	Right	1 Set
	199.331.200.100	130ML	☑	13	Right	1 Set
	199.331.300.000	130ML	☑	9	Left	1 Set
	199.331.300.100	130ML	☑	13	Left	1 Set
	199.332.200.000	130ML	☑	9	Right	1 Set
	199.332.200.100	130ML	☑	13	Right	1 Set
	199.332.300.000	130ML	☑	9	Left	1 Set
	199.332.300.100	130ML	☑	13	Left	1 Set

* Accessory Group Contents: 130 Kg Roller Set, 130 Kg Roller Cover Set, Cover Support Piece, Top Rail End Cover Set, Bottom Rail Stopper Piece, Top Rail Stopper Piece, Bottom Mile Support Piece, Stay Arm Rail Connection Piece, Sash Tilt Piece, Top Mile Support Piece, Stay arm & Cover, Handle(Optional), Corner Transmission, Security Corner Transmission, Security Bottom Lock Striker, Top Rail Connection Holder

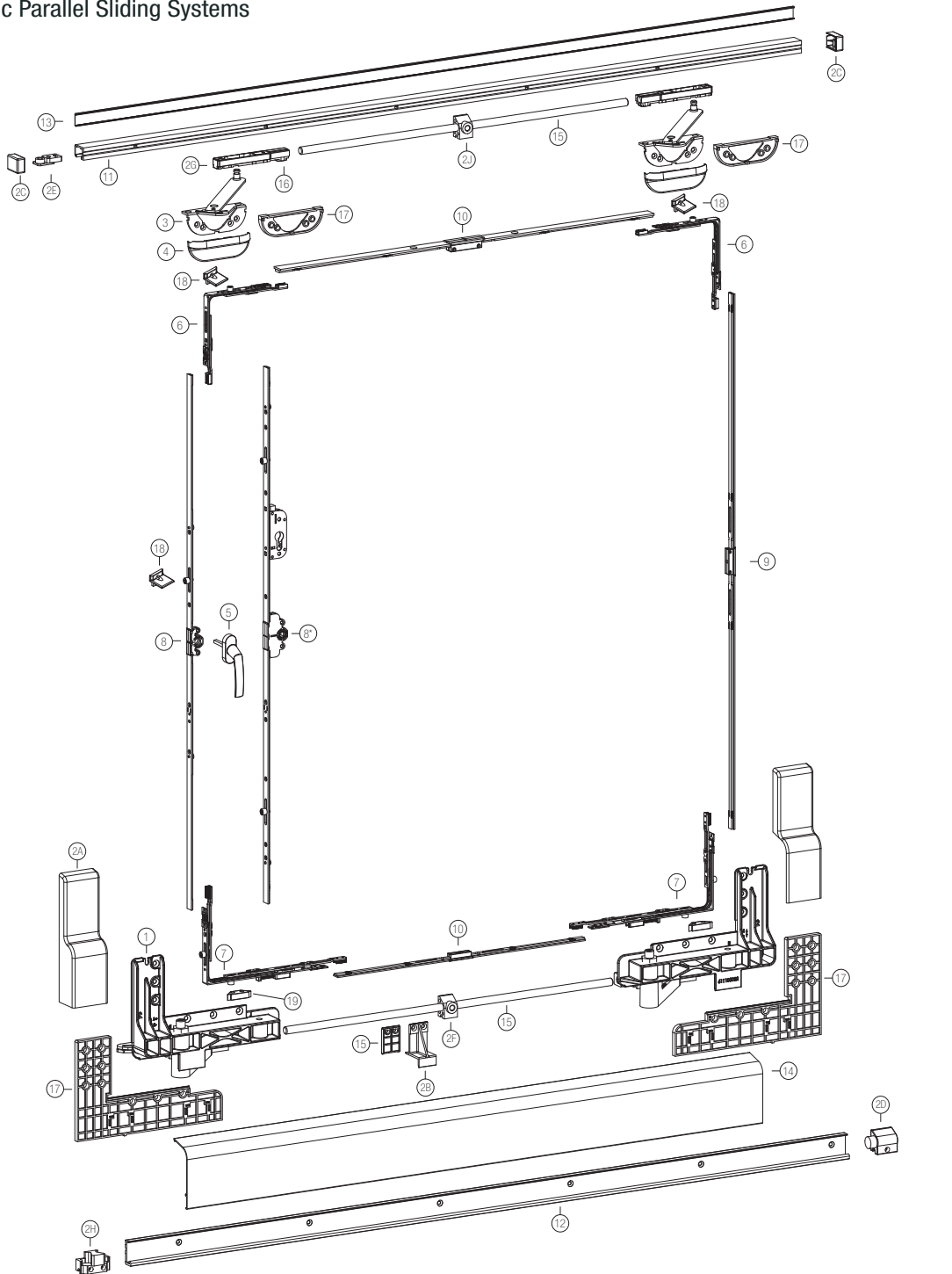
Color Options

- Our Standart Colors
- For other colors please ask your sales representative

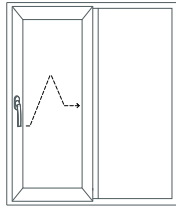


** All the dimention in the catalog are mm.

Fornax AluAction TNS130-Y
Perimetric Groove Aluminium
Semi-Automatic Parallel Sliding Systems



- | | | |
|----------------------------------|--|--|
| ① 130 Kg Roller Set | ③ Stay arm Set | ⑬ Top Rail Piece W>2m-6m |
| ②A Roller Cover Set | ④ Stay arm Cover Set | ⑭ Roller Cover >2m-6m |
| ②B Cover Support Piece | ⑤ Parallel Sliding Handle | ⑮ Connection Piece |
| ②C Top Rail End Cover Set | ⑥ Corner Transmission | ⑯ Top Connection Mile Holder |
| ②D Bottom Rail Stopper Piece | ⑦ Semi-Automatic Corner Transmission | ⑰ Roller & Stay arm Adaptor Set |
| ②E Top Rail Stopper Piece | ⑧ Center Handle Esp. | ⑱ Locking Striker |
| ②F Bottom Mile Support Piece | ⑨ Back Connection H480-2400 | ⑲ Semi-automatic Corner Transmission Striker |
| ②G Stayarm Rail Connection Piece | ⑩ Bottom/Top Rail Connection W480-1600 | |
| ②H Sash Tilt Piece | ⑪ Top Rail W>2m-6m | |
| ②I Top Mile Support Piece | ⑫ Bottom Rail W>2m-6m | |



Fornax AluAction TNS130-Y
Perimetric Groove Aluminium
Semi-Automatic Parallel Sliding Systems

Product Description	Code	Group	Vertical Esp. Usage Range	Horizontal Esp. Usage Range	Rail Size	Pcs.
* Esp.&Rail Group	199.120.020.100	A200	885-1300	685-1100	2000	1 Set
	199.120.020.200	B200	1185-1600	685-1100	2000	1 Set
	199.120.020.300	C200	1585-2000	685-1100	2000	1 Set
	199.120.020.400	D200	1985-2400	685-1100	2000	1 Set
	199.120.026.100	A260	885-1300	885-1300	2600	1 Set
	199.120.026.200	B260	1185-1600	885-1300	2600	1 Set
	199.120.026.300	C260	1585-2000	885-1300	2600	1 Set
	199.120.026.400	D260	1985-2400	885-1300	2600	1 Set
	199.120.032.100	A320	885-1300	1185-1600	3200	1 Set
	199.120.032.200	B320	1185-1600	1185-1600	3200	1 Set
	199.120.032.300	C320	1585-2000	1185-1600	3200	1 Set
	199.120.032.400	D320	1985-2400	1185-1600	3200	1 Set

* Esp.&Rail Group Contents: 1 piece 15 Axis Esp. , 1 piece vertical and 2 pieces Connection Piece, Bottom Rail, Top Rail, Top Rail Closer Profile, Bottom Roller Cover and Connection Mile.

Product Description	Code	Group	Vertical Esp. Usage Range	Horizontal Esp. Usage Range	Rail Size	Pcs.
30 Aks Esp & Rail Group	199.120.120.300	C200	1585-2000	685-1100	2000	1 Set
	199.120.120.400	D200	1985-2400	685-1100	2000	1 Set
	199.120.026.300	C260	1585-2000	885-1300	2600	1 Set
	199.120.126.400	D260	1985-2400	885-1300	2600	1 Set
	199.120.132.300	C320	1585-2000	1185-1600	3200	1 Set
	199.120.132.400	D320	1985-2400	1185-1600	3200	1 Set

* Esp.&Rail Group Contents: 1 piece 30 Axis Esp. , 1 piece vertical and 2 pieces Horizontal Connection Esp., Bottom Rail, Top Rail, Top Rail Closer Profile, Bottom Roller Cover and Connection Piece.

Product Description	Code	Group	Handle	Axis	Right/Left	Pcs.
Accessory Group*	199.131.200.000	130Y	☑	9	Right	1 Set
	199.131.200.100	130Y	☑	13	Right	1 Set
	199.131.300.000	130Y	☑	9	Left	1 Set
	199.131.300.100	130Y	☑	13	Left	1 Set
	199.132.200.000	130Y	☑	9	Right	1 Set
	199.132.200.000	130Y	☑	13	Right	1 Set
	199.132.300.000	130Y	☑	9	Left	1 Set
	199.132.300.000	130Y	☑	13	Left	1 Set

*Accessory Group Contents: 130 Kg Roller Set, 130 Kg Roller Cover Set, Cover Support Piece, Top Rail End Cover Set, Bottom Rail Stopper Piece, Top Rail Stopper Piece, Bottom Mile Support Piece, Stay Arm Rail Connection Piece, Sash Tilt Piece, Top Mile Support Piece, Stay arm & Cover, Handle(Optional), Corner Transmission, Security Corner Transmission, Security Bottom Lock Striker, Top Rail Connection Holder

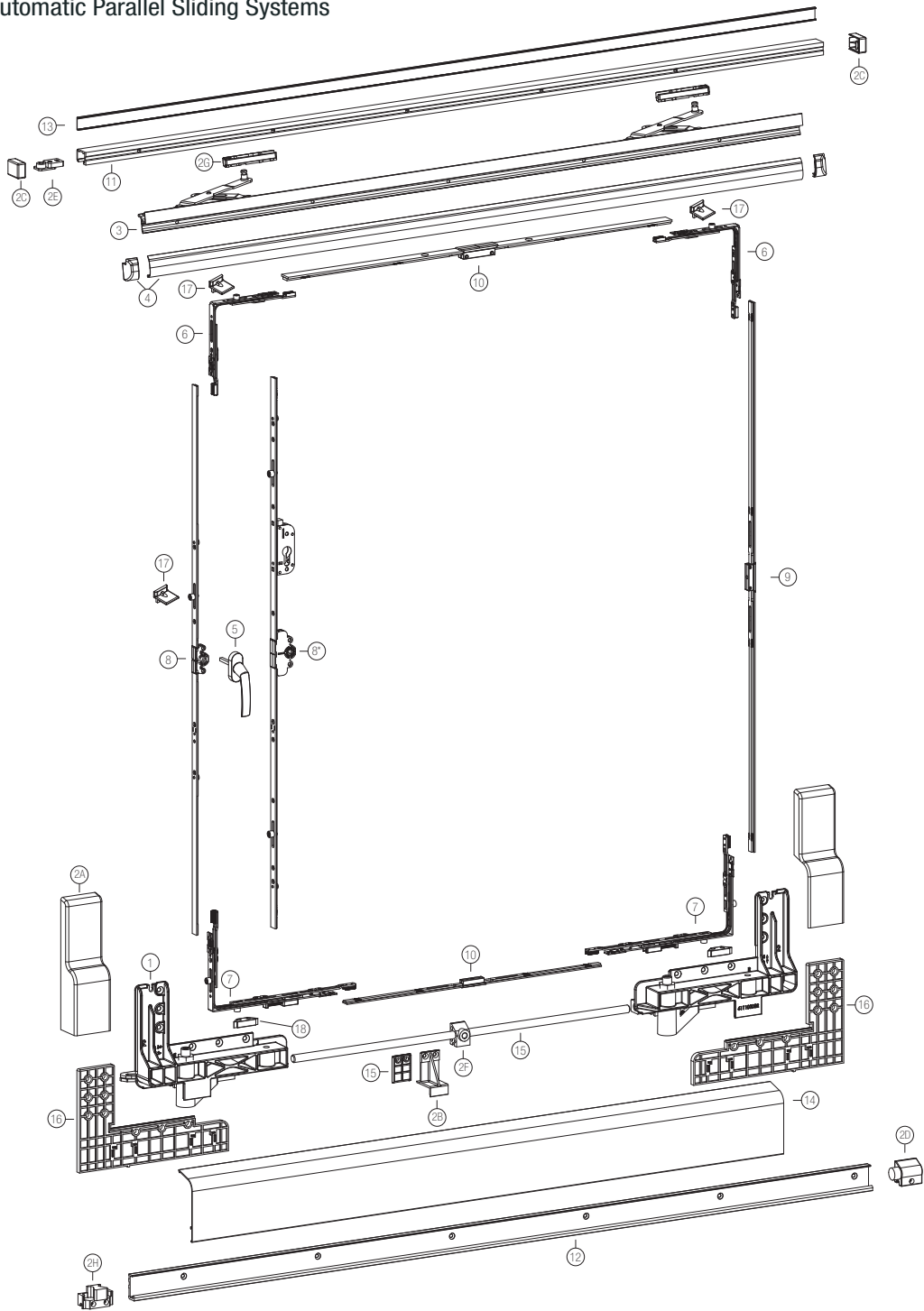
Color Options

■ Our Standart Colors
For other colors please ask your sales representative

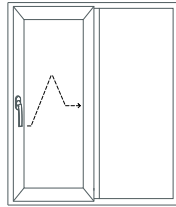


** All the dimentionis in the catalog are mm.

Fornax AluAction TNS130-YL
Perimetric Groove Aluminium
Luxury Semi-Automatic Parallel Sliding Systems



- | | | |
|-----------------------------------|--------------------------------------|--|
| ① 130 Kg Roller Set | ③ Luxury Stayarm | ⑫ Bottom Rail W>2m-6m |
| ②A Roller Cover Set | ④ Luxury Stayarm Cover Set | ⑬ Top Rail Piece W>2m-6m |
| ②B Cover Support Piece | ⑤ Parallel Sliding Handle | ⑭ Roller Cover W>2m-6m |
| ②C Top Rail and Cover Set | ⑥ Corner Transmission | ⑮ Connection Piece |
| ②D Bottom Rail Stopper Piece | ⑦ Semi-automatic Corner Transmission | ⑯ Roller & Stay arm Adaptor Set |
| ②E Top Rail Stopper Piece | ⑧ Centred Handle Esp. | ⑰ Locking Striker |
| ②F Bottom Rail Support Piece | ⑨ Bottom Connection H480-2400 | ⑱ Semi-automatic Corner Transmission Striker |
| ②G Stay arm Rail Connection Piece | ⑩ Bottom/Top Connection W480-1600 | |
| ②H Sash Tilt Piece | ⑪ Top Rail W>2m-6m | |



Fornax AluAction TNS130-YL
Perimetric Groove Aluminium
Luxury Semi-Automatic Parallel Sliding Systems

Product Description	Code	Group	Vertical	Horizontal	Rail Size	Pcs.
			Esp. Usage Range	Esp. Usage Range		
15 Aks Esp. & Rail Group*	199.120.020.100	A200	885-1300	685-1100	2000	1 Set
	199.120.020.200	B200	1185-1600	685-1100	2000	1 Set
	199.120.020.300	C200	1585-2000	685-1100	2000	1 Set
	199.120.020.400	D200	1985-2400	685-1100	2000	1 Set
	199.120.026.100	A260	885-1300	885-1300	2600	1 Set
	199.120.026.200	B260	1185-1600	885-1300	2600	1 Set
	199.120.026.300	C260	1585-2000	885-1300	2600	1 Set
	199.120.026.400	D260	1985-2400	885-1300	2600	1 Set
	199.120.032.100	A320	885-1300	1185-1600	3200	1 Set
	199.120.032.200	B320	1185-1600	1185-1600	3200	1 Set
	199.120.032.300	C320	1585-2000	1185-1600	3200	1 Set
	199.120.032.400	D320	1985-2400	1185-1600	3200	1 Set

* Esp.&Rail Group Contents: 1 piece 30 Axis Esp. , 1 piece vertical and 2 pieces Connection Piece, Bottom Rail, Top Rail Top Rail Closer Profile, Bottom Roller Cover and Connection Mile.

Product Description	Code	Group	Vertical	Horizontal	Rail Size	Pcs.
			Esp. Usage Range	Esp. Usage Range		
30 Aks Esp.&Rail Group*	199.120.120.300	C200	1585-2000	685-1100	2000	1 Set
	199.120.120.400	D200	1985-2400	685-1100	2000	1 Set
	199.120.026.300	C260	1585-2000	885-1300	2600	1 Set
	199.120.126.400	D260	1985-2400	885-1300	2600	1 Set
	199.120.132.300	C320	1585-2000	1185-1600	3200	1 Set
	199.120.132.400	D320	1985-2400	1185-1600	3200	1 Set

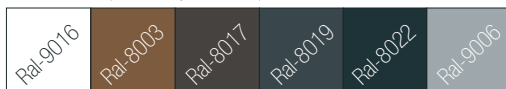
* Esp.&Rail Group Contents: 1 piece 30 Axis Esp. , 1 piece vertical and 2 pieces Connection Piece, Bottom Rail, Top Rail Top Rail Closer Profile, Bottom Roller Cover and Connection Mile.

Product Description	Code	Group	Handle	Axis	Right/Left	Pcs.
	199.131.200.100	130Y		13	Right	1 Set
	199.131.300.000	130Y		9	Left	1 Set
	199.131.300.100	130Y		13	Left	1 Set
	199.132.200.000	130Y		9	Right	1 Set
	199.132.200.000	130Y		13	Right	1 Set
	199.132.300.000	130Y		9	Left	1 Set
	199.132.300.000	130Y		13	Left	1 Set

* Accessory Group Contents: 130 Kg Roller Set, 130 Kg Roller Cover Set, Cover Support Piece, Top Rail End Cover Set, Bottom Rail Stopper Piece, Top Rail Stopper Piece, Bottom Mile Support Piece, Stay Arm Rail Connection Piece, Sash Tilt Piece, Top Mile Support Piece, Stay arm & Cover, Handle (Optional), Corner Transmission, Security Corner Transmission, Security Bottom Lock Striker, Top Rail Connection Holder

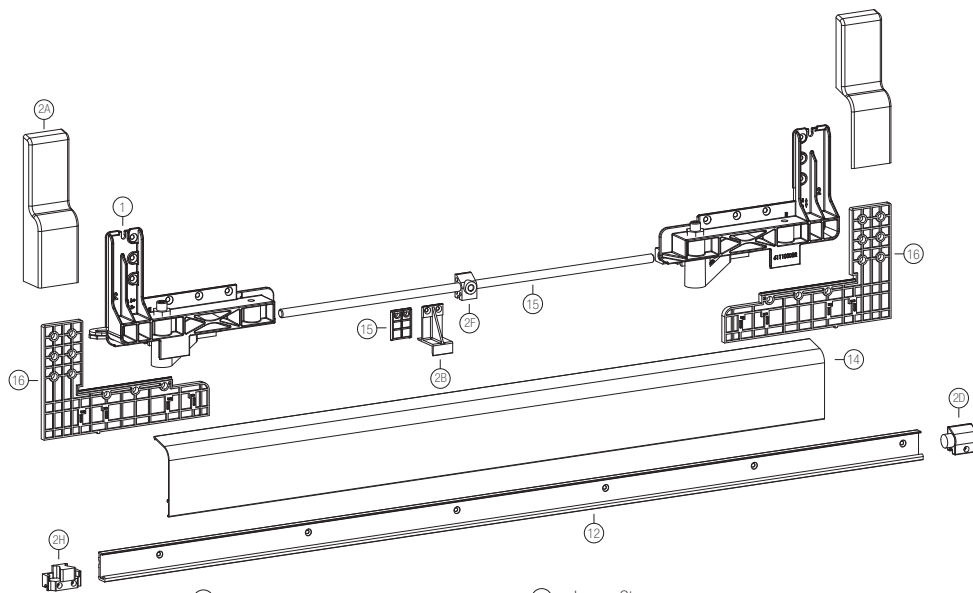
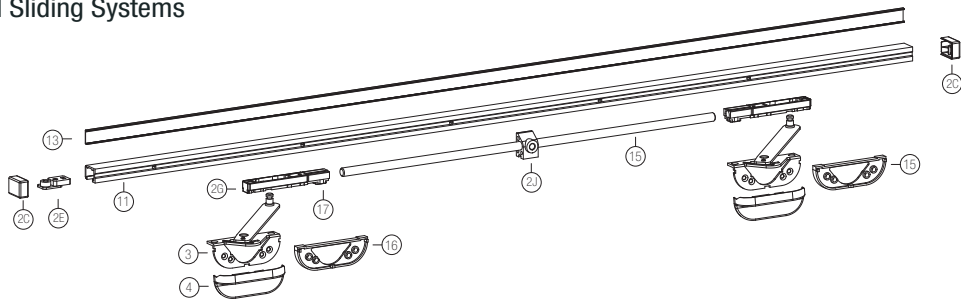
Color Options

- Our Standart Colors
- For other colors please ask your sales representative

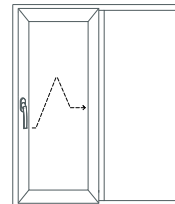


** All the dimentionns in the catalog are mm.

Fornax AluAction TNS130-K
 Perimetric Groove Aluminium
 Classic Parallel Sliding Systems



- | | | | |
|----|-------------------------|---|----------------------------|
| ① | 130 Kg Roller Set | ③ | Luxury Stayarm |
| ②A | Roller Cover Set | ④ | Luxury Stay arm Cover Set |
| ②B | Cover Support Piece | ⑤ | Parallel Sliding Handle |
| ②C | Top Rail End Cover | ⑪ | Top Rail W>2m-6m |
| ②D | Bottom Rail Stopper | ⑫ | Bottom Rail W>2m-6m |
| ②E | Top Rail Stopper | ⑬ | Top Rail Piece W>2m-6m |
| ②F | Bottom Mile Support | ⑭ | Roller Cover W>2m-6m |
| ②G | Stayarm Rail Connection | ⑮ | Connection Piece |
| ②H | Sash Tilt Piece | ⑯ | Roller&Stayarm Adaptor Set |
| ②I | Top Mile Support Piece | ⑰ | Top Mile Connection Holder |



Fornax AluAction TNS130-K
Perimetric Groove Aluminium
Classic Parallel Sliding Systems

<i>Product Description</i>	<i>Code</i>	<i>Group</i>	<i>Vertical Esp. Usage Range</i>	<i>Horizontal Esp. Usage Range</i>	<i>Rail Size</i>	<i>Pcs.</i>
Rail Group*	199.410.020.000	A200	-	-	2000	1 Set
	199.410.026.000	A260	-	-	2600	1 Set
	199.410.032.000	A320	-	-	3200	1 Set

* Rail Group Contents: 1 piece vertical and 2 pieces Connection Piece, Bottom Rail, Top Rail, Top Rail Closer Profile Bottom Roller Cover and Connection Mile.

<i>Product Description</i>	<i>Code</i>	<i>Group</i>	<i>Handle</i>	<i>Axis</i>	<i>Right/Left</i>	<i>Pcs.</i>
Accessory Group*	199.431.200.000	130K	☑	*	Right	1 Set
	199.432.200.100	130K	☑	*	Right	1 Set
	199.431.300.000	130K	☐	*	Left	1 Set
	199.431.300.100	130K	☐	*	Left	1 Set

* Accessory Group Contents: 130 Kg Roller Set, 130 Kg Roller Cover Set, Cover Support Piece, Top Rail End Cover Set, Bottom Rail Stopper Piece, Top Rail Stopper Piece, Bottom Mile Support Piece, Stay Arm Rail Connection Piece, Sash Tilt Piece, Top Mile Support Piece, Stayarm&Cover, Handle(Optional), Corner Transmission, Security Corner Transmission, Security Bottom Lock Striker, Top Rail Connection Holder

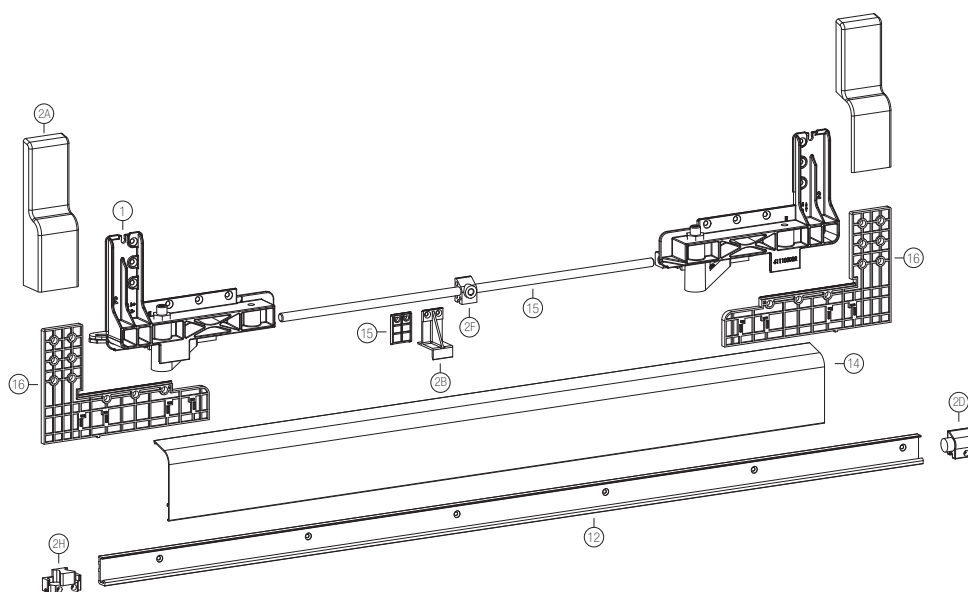
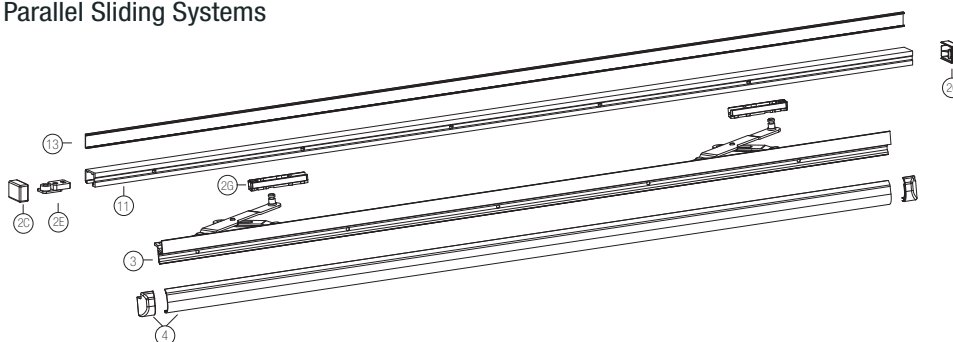
Color Options

- Our Standart Colors
For other colors please ask your sales representative

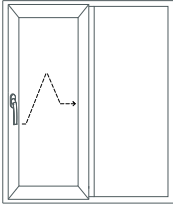


** All the dimentions in the catalog are mm.

Fornax AluAction TNS130-KL
Perimetric Groove Aluminium
Luxury Classic Parallel Sliding Systems



- | | | | |
|----|--------------------------------|---|---------------------------------|
| ① | 130 Kg Roller Set | ③ | Luxury Stay arm |
| ②A | Roller Cover Set | ④ | Luxury Stay arm Cover Set |
| ②B | Cover Support Piece | ⑤ | Parallel Sliding Handle |
| ②C | Top Rail End Cover Set | ⑥ | Top Rail W>2m-6m |
| ②D | Bottom Rail Stopper Piece | ⑦ | Bottom Rail W>2m-6m |
| ②E | Top Rail Stopper Piece | ⑧ | Top Rail Piece W>2m-6m |
| ②F | Bottom Mile Support Piece | ⑨ | Roller Cover W>2m-6m |
| ②G | Stay arm Rail Connection Piece | ⑩ | Connection Piece |
| ②H | Sash Tilt Piece | ⑪ | Roller and Stay arm Adaptor Set |
| ②I | Top Mile Support Piece | | |



Fornax AluAction TNS130-KL
Perimetric Groove Aluminium
Luxury Classic Parallel Sliding Systems

<i>Product Description</i>	<i>Code</i>	<i>Group</i>	<i>Vertical Esp. Usage Range</i>	<i>Horizontal Esp. Usage Range</i>	<i>Rail Size</i>	<i>Pcs.</i>
Rail Group*	199.410.020.000	A200	-	-	2000	1 Set
	199.410.026.000	A260	-	-	2600	1 Set
	199.410.032.000	A320	-	-	3200	1 Set

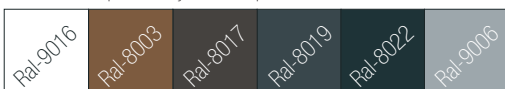
* Rail Group Contents : 1 piece vertical and 2 pieces Connection Piece, Bottom Rail, Top Rail, Top Rail Closer Profile Bottom Roller Cover and Connection Mile.

<i>Product Description</i>	<i>Code</i>	<i>Group</i>	<i>Handle</i>	<i>Axis</i>	<i>Right/Left</i>	<i>Pcs.</i>
Accessory Group*	199.431.200.000	130K	☑	*	Right	1 Set
	199.432.200.100	130K	☑	*	Right	1 Set
	199.431.300.000	130K	☐	*	Left	1 Set
	199.431.300.100	130K	☐	*	Left	1 Set

* Accessory Group Contents : 130 Kg Roller Set, 130 Kg Roller Cover Set, Cover Support Piece, Top Rail End Cover Set, Botto Rail Stopper Piece, Top Rail Stopper Piece, Bottom Mile Support Piece, Stay Arm Rail Connection Piece, Sash Tilt Piece, Top Mile Support Piece, Stayarm&Cover, Handle(Optional), Corner Transmission, Security Corner Transmission, Security Bottom Lock Striker, Top Rail Connection Holder

Color Options

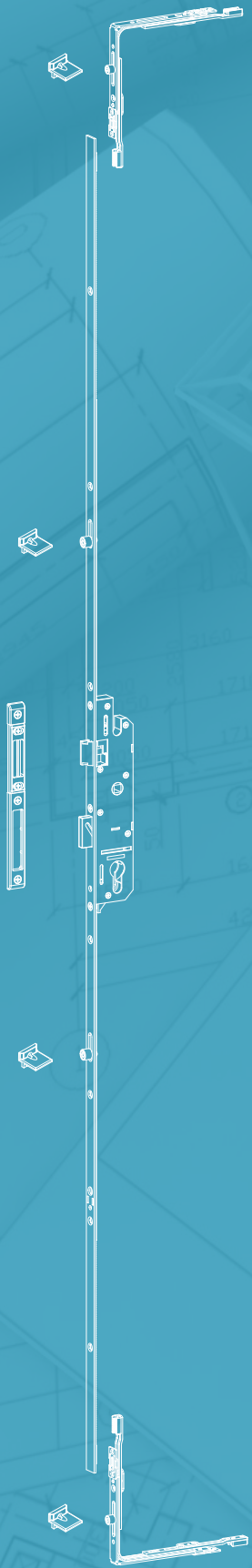
■ Our Standart Colors
For other colors please ask your sales representative



** All the dimenstions in the catalog are mm.

Fornax AluSecure

ALUMINIUM DOOR Lock & Hinge





Fornax AluSecure
PERIMETRIC GROOVE ALUMINIUM
DOOR LOCK & HINGE FITTINGS



PERIMETRIC GROOVE

Fornax AluSecure
Euro Groove Aluminium
Door Lock & Hinge Systems

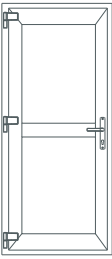
Productivity Safety and Quality

As Fornax claim we the energy productivity as principle and in all products we designed we aim energy productivity.

The Locking Espagnolette we developed are also produced according to this principle. Our product is developed as a solution for the problem of insulation at doors. For the sake of presenting possibility of locking from multipoint it supports energy productivity by providing maximum gasket pressure and preventing innerdoor from the weather condition of outdoor. And with its multi-point lock it's safer than the single-point lock of classic system.

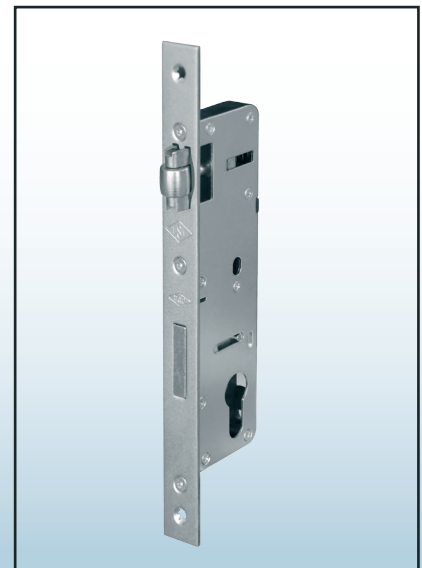
Except locking points the other factor which supports the insulation is door hinges. With 3D Adjustable Door Hinges which are in our product portfolio and present possibility of adjustment in 3 axis is insulated door system is being completed.

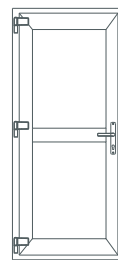
Single-point lock classical Fornax built in locks are preferred at out doors which the insulation is ignored and inner doors. This kind of locks are used widely at entrance doors, school - hospitalmarket doors and inner place office doors.



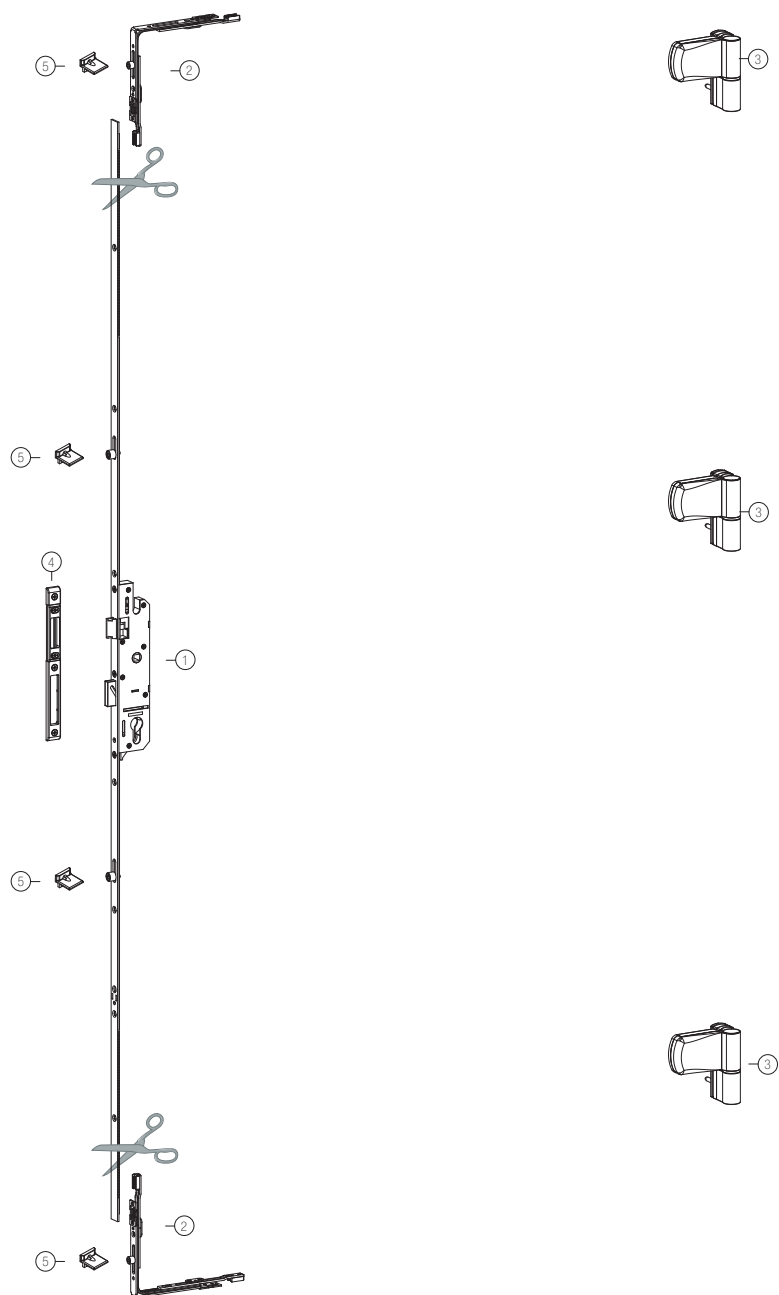
Our Advantages

- Single-point and multi-point locking door Espagnolette operated by both from handle and key.
- For out doors roller latch optional built in locks which has plastic and metal body and provide quiet working.
- Stainless Pin optional door handles with capacity of carrying up to 130kg and providing adjustment possibility



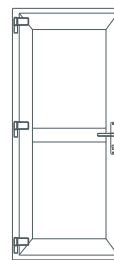


Fornax AluSecure AS-175
Perimetric Groove Aluminium
Door Fittings with Locking Door Espagnolette



- ① Handle Operated Locking Door Esp.
- ② Corner Transmission
- ③ 3D Adjustable Hinge

- ⑤ Locking Striker
- ④ Universal Locking Striker

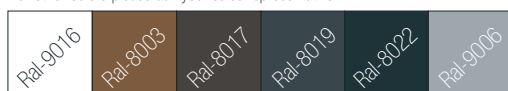


Fornax AluSecure AS-175
Perimetric Groove Aluminium
Door Fittings with Handle Operated Locking Door Espagnolette

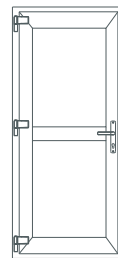
Product Description	Code	Group	Handle Centre	Handle Axis	Body Type	Pcs.
Handle Operated	174.000.385.125	GR 01	85mm	25mm	Plastic Body Ironsheet Cover	1 Pc.
Locking Esp.	174.000.385.128	GR 01	85mm	28mm	Plastic Body Ironsheet Cover	1 Pc.
	174.000.385.135	GR 01	85mm	35mm	Plastic Body Ironsheet Cover	1 Pc.
	174.000.392.125	GR 02	92mm	25mm	Plastic Body Ironsheet Cover	1 Pc.
	174.000.392.128	GR 02	92mm	28mm	Plastic Body Ironsheet Cover	1 Pc.
	174.000.392.135	GR 02	92mm	35mm	Plastic Body Ironsheet Cover	1 Pc.
Description						
Corner Transmission	201.100.000.100	Standard				1 Pc.
Carrying Capacity						
3D Adjustable Door Hinge	201.730.305.300	3D Adjustable Door Hinge		90 Kg	Ral-9016	24 Pcs.
					Ral-8003	24 Pcs.
					Ral-8017	24 Pcs.
					Ral-8019	24 Pcs.
					Ral-8022	24 Pcs.
					Ral-9006	24 Pcs.
Locking Striker	220.250.010.000					100 Pcs.
Adjustable Locking Striker	221.010.001.100	Zamac				1 Pc.

Color Options

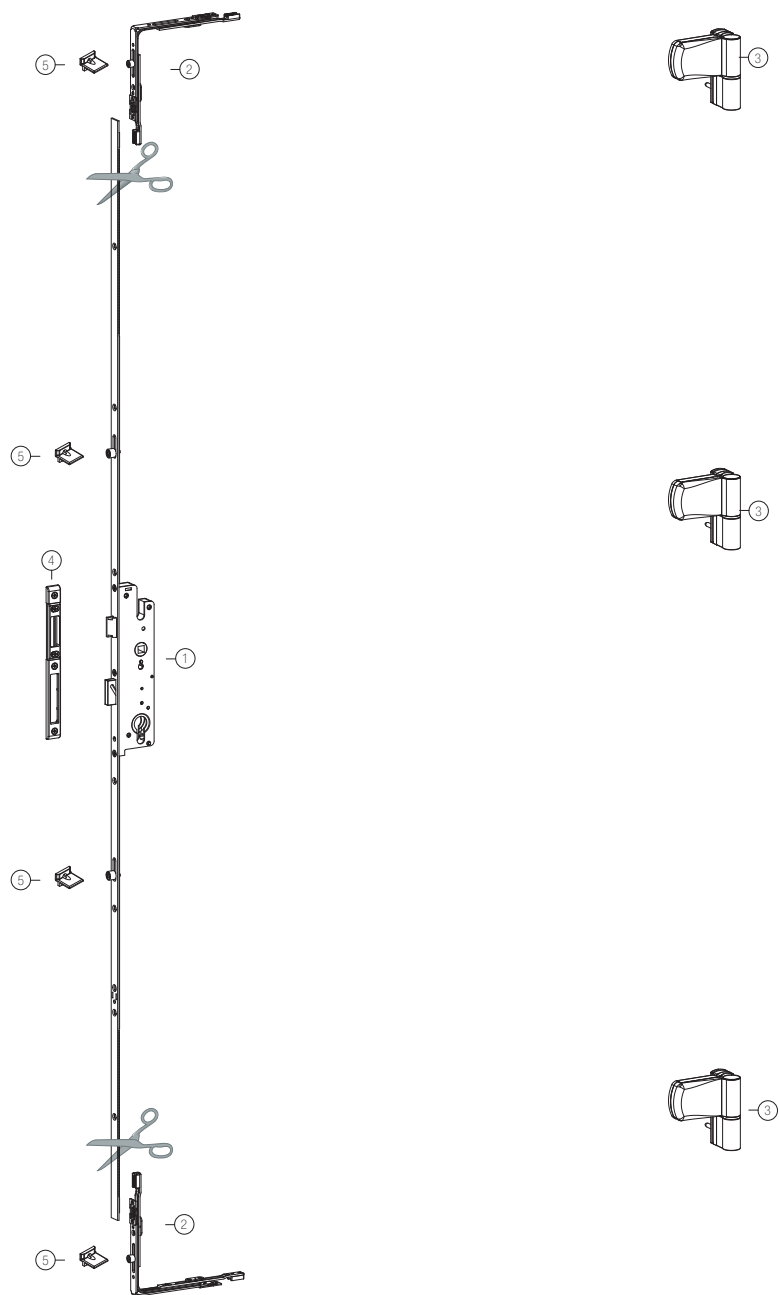
- Our Standart Colors
- For other colors please ask your sales representative



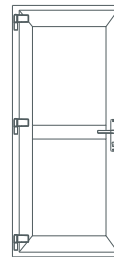
** All the dimenstions in the catalog are mm.



Fornax AluSecure AS-165
Perimetric Groove Aluminium
Door Fittings with key operated locking Door Espagnolette



- | | | | |
|---|--------------------------------|---|---------------------------|
| ① | Key Operated Locking Door Esp. | ⑤ | Locking Striker |
| ② | Corner Transmission | ④ | Universal Locking Striker |
| ③ | 3D Adjustable Hinge | | |



Fornax AluSecure AS-165
Perimetric Groove Aluminium
Door Fittings with key operated locking Door Espagnolette

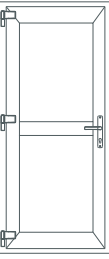
Product Description	Code	Group	Handle Centre	Handle Axis	Body type	Pcs.
Key operated Locking	164.000.392.135	GR 01	92mm	35mm	Zamac Body Ironsheet Cover	1 Pc.
Espagnolettes	166.010.392.135	GR 02	Roller Latch	35mm	Zamac Body Ironsheet Cover	1 Pc.
Description						
Corner Transmission	201.100.000.100	Standart				1 Pc.
Carrying Capacity						
3D Adjustable Door	201.730.305.300	3D Adjustable Door		90 Kg	Ral-9016	24 Pcs.
					Ral-8003	24 Pcs.
					Ral-8017	24 Pcs.
					Ral-8019	24 Pcs.
					Ral-8022	24 Pcs.
					Ral-9006	24 Pcs.
Colour						
Locking Striker	220.250.010.000					100 Pcs.
Description						
Adjustable Locking Striker	221.010.001.100	Zamac				1 Pc.

Color Options

- Our Standart Colors
- For other colors please ask your sales representative

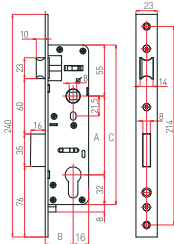


** All the dimentions in the catalog are mm.



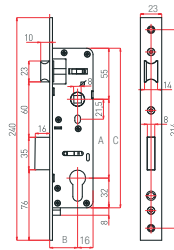
Fornax AluSecure
 Perimetric Groove Aluminium
 Mortise Door Locks Systems

Technical Datas of 85 axis Mortise door locks with cylinder



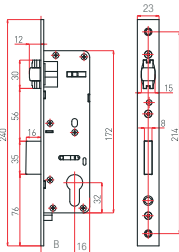
- KY - Sash Height : 1800mm - 2400mm
- GT - Body Type.....: Plastic Body -Ironsheets Cover
- Working Type.....: Key operated
- Handle Centre.....: 85mm
- Axis: 20mm - 25mm - 30mm- 35mm
40mm - 45mm

Technical Datas of 92 axis Mortise door locks with cylinder



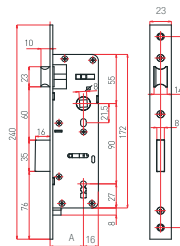
- KY - Sash Height : 1800mm - 2400mm
- GT - Body Type.....: Plastic Body - ironsheet cover
- Working Type.....: key operated
- Handle Centre.....: 92mm
- Axis: 20mm - 25mm - 30mm - 35mm

Technical datas of Mortise door locks with Roller latch



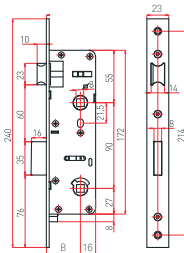
- KY - Sash Height : 1800mm - 2400mm
- GT - Body Type.....: Plastic Body -Ironsheets Cover
- Working Type.....: Key operated
- Axis: 25mm - 30mm - 35mm - 40mm

Technical Datas of 90 axis Mortise door locks with cylinder

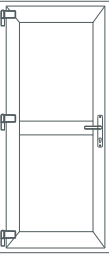


- KY - Sash Height : 1800mm - 2400mm
- GT - Body Type.....: Plastic Body -Ironsheets Cover
- Working Type.....: Key operated
- Handle Centre.....: 90mm
- Axis: 20mm - 25mm - 30mm- 35mm
40mm - 45mm

Technical datas of 90 ax. WC/Bath Mortise door locks



- KY - Sash Height : 1800mm - 2400mm
- GT - Body Type.....: Plastic Body -Ironsheets Cover
- Working Type.....: Key operated
- Handle Centre.....: 90mm
- Axis: 20mm - 25mm - 30mm- 35mm
40mm - 45mm



Fornax AluSecure
Perimetric Groove Aluminium
Mortise Door Locks Systems

<i>Product Description</i>	<i>Code</i>	<i>Handle Centre</i>	<i>Handle Axis</i>	<i>Bolt Size</i>	<i>Bolt Width</i>	<i>Body Size</i>	<i>Body Type</i>	<i>Pcs.</i>
85 ax. Mortise Door Locks With Cylinder	263.185.020.020	85mm	20mm	240mm	23mm	172mm	Plastic Body Ironsheet Cover	40 Pcs.
	263.185.025.020	85mm	25mm	240mm	23mm	172mm	Plastic Body Ironsheet Cover	40 Pcs.
	263.185.030.020	85mm	30mm	240mm	23mm	172mm	Plastic Body Ironsheet Cover	40 Pcs.
	263.185.035.020	85mm	35mm	240mm	23mm	172mm	Plastic Body Ironsheet Cover	40 Pcs.
	263.185.040.020	85mm	40mm	240mm	23mm	172mm	Plastic Body Ironsheet Cover	40 Pcs.
	263.185.045.020	85mm	45mm	240mm	23mm	172mm	Plastic Body Ironsheet Cover	40 Pcs.
92 ax. Mortise Door Locks With Cylinder	263.192.025.020	92mm	25mm	240mm	23mm	179mm	Plastic Body Ironsheet Cover	40 Pcs.
	263.192.030.020	92mm	30mm	240mm	23mm	179mm	Plastic Body Ironsheet Cover	40 Pcs.
	263.192.035.020	92mm	35mm	240mm	23mm	179mm	Plastic Body Ironsheet Cover	40 Pcs.
	263.192.040.020	92mm	40mm	240mm	23mm	179mm	Plastic Body Ironsheet Cover	40 Pcs.
Mortise Door Locks With Cylinder & Roller Latch	263.100.020.020	-	20mm	240mm	23mm	172mm	Plastic Body Ironsheet Cover	40 Pcs.
	263.100.025.020	-	25mm	240mm	23mm	172mm	Plastic Body Ironsheet Cover	40 Pcs.
	263.100.030.020	-	30mm	240mm	23mm	172mm	Plastic Body Ironsheet Cover	40 Pcs.
	263.100.035.020	-	35mm	240mm	23mm	172mm	Plastic Body Ironsheet Cover	40 Pcs.
90 ax. Wc/Bath Mortise Door Locks	261.190.020.020	90mm	20mm	240mm	23mm	172mm	Plastic Body Ironsheet Cover	40 Pcs.
	261.190.025.020	90mm	25mm	240mm	23mm	172mm	Plastic Body Ironsheet Cover	40 Pcs.
	261.190.030.020	90mm	30mm	240mm	23mm	172mm	Plastic Body Ironsheet Cover	40 Pcs.
	261.190.035.020	90mm	35mm	240mm	23mm	172mm	Plastic Body Ironsheet Cover	40 Pcs.
	261.190.040.020	90mm	40mm	240mm	23mm	172mm	Plastic Body Ironsheet Cover	40 Pcs.
	261.190.045.020	90mm	45mm	240mm	23mm	172mm	Plastic Body Ironsheet Cover	40 Pcs.
90 ax. Room Mortise Door Locks	262.190.020.020	90mm	20mm	240mm	23mm	172mm	Plastic Body Ironsheet Cover	40 Pcs.
	262.190.025.020	90mm	25mm	240mm	23mm	172mm	Plastic Body Ironsheet Cover	40 Pcs.
	262.190.030.020	90mm	30mm	240mm	23mm	172mm	Plastic Body Ironsheet Cover	40 Pcs.
	262.190.035.020	90mm	35mm	240mm	23mm	172mm	Plastic Body Ironsheet Cover	40 Pcs.
	262.190.040.020	90mm	40mm	240mm	23mm	172mm	Plastic Body Ironsheet Cover	40 Pcs.
	262.190.045.020	90mm	45mm	240mm	23mm	172mm	Plastic Body Ironsheet Cover	40 Pcs.

** All sizes in catalogue are millimetre (mm).

Fornax AluMotion
 Perimetric Groove Aluminium
 Outwarding Friction Stay



Technical Specifications of outwarding friction stay

- KG - Sash Width 1200mm-1900mm
- KY - Sash Height 1200mm-2000mm
- TK.kg_{max} - Carrying Capacity max. 82-125 kg
- GT - BodyType Stainless Steel
- Pins Stainless Steel

Curtain Wall

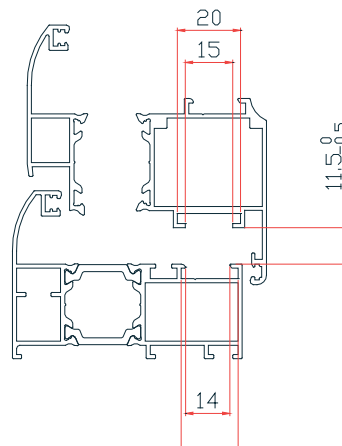
It is used for outward Hinge. Our friction stay is made of stainless steel.

Outward windows and multi-connected stayarm sash are connected to the frame. Both of them provides carrying out withwindow opening angle to the sash opening angle.

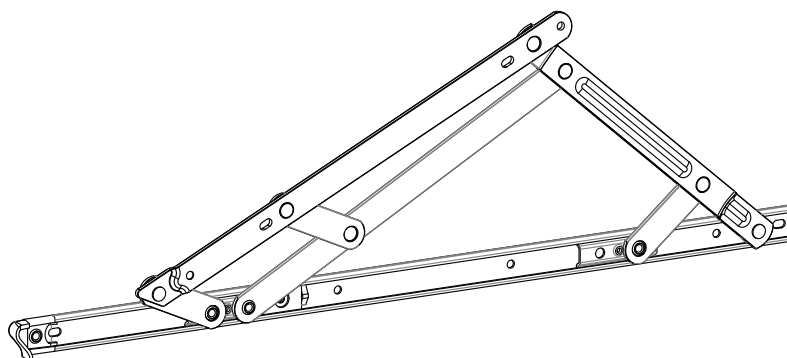
As a result, Stay Arm hinges provides being always active and visible of window sash.

Stayarm type can change according to different sash weights-heights-width.

Appliable Section Details



Fornax AluMotion
Perimetric Groove Aluminium
Outwarding Friction Stay



<i>Product Description</i>	<i>Code</i>	<i>Stay arm Size</i>	<i>Max. Height</i>	<i>Max. Width</i>	<i>Max. Capacity</i>	<i>Openin Angle</i>	<i>Pcs.</i>
Outwarding	499.001.001.019	12"	1200mm	600mm	18 Kg	85	15 Sets
Friction Stays	499.001.001.020	16"	1200mm	700mm	20 Kg	87	15 Sets
	499.001.001.021	10"	650mm	1200mm	20 Kg	40	15 Sets
	499.001.001.022	16"	850mm	1200mm	28 Kg	40	15 Sets

Yelken Kalıp Pencere Kapı Aksesuarları
ve Metal Sanayi Tic. A.Ş.

Kıraç İstiklal Mah. Ahmet Haşim Cad. No: 27
Esenyurt - İstanbul - TÜRKİYE
Telefon : +90 212 771 01 01 PBX
Faks : +90 212 771 01 15
sales@fornax.com.tr
www.fornax.com.tr

